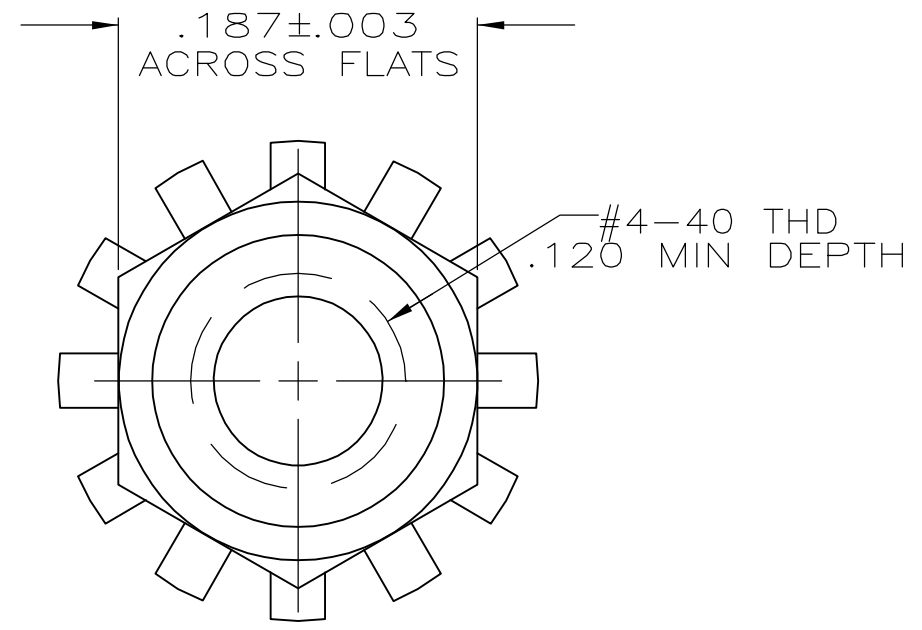
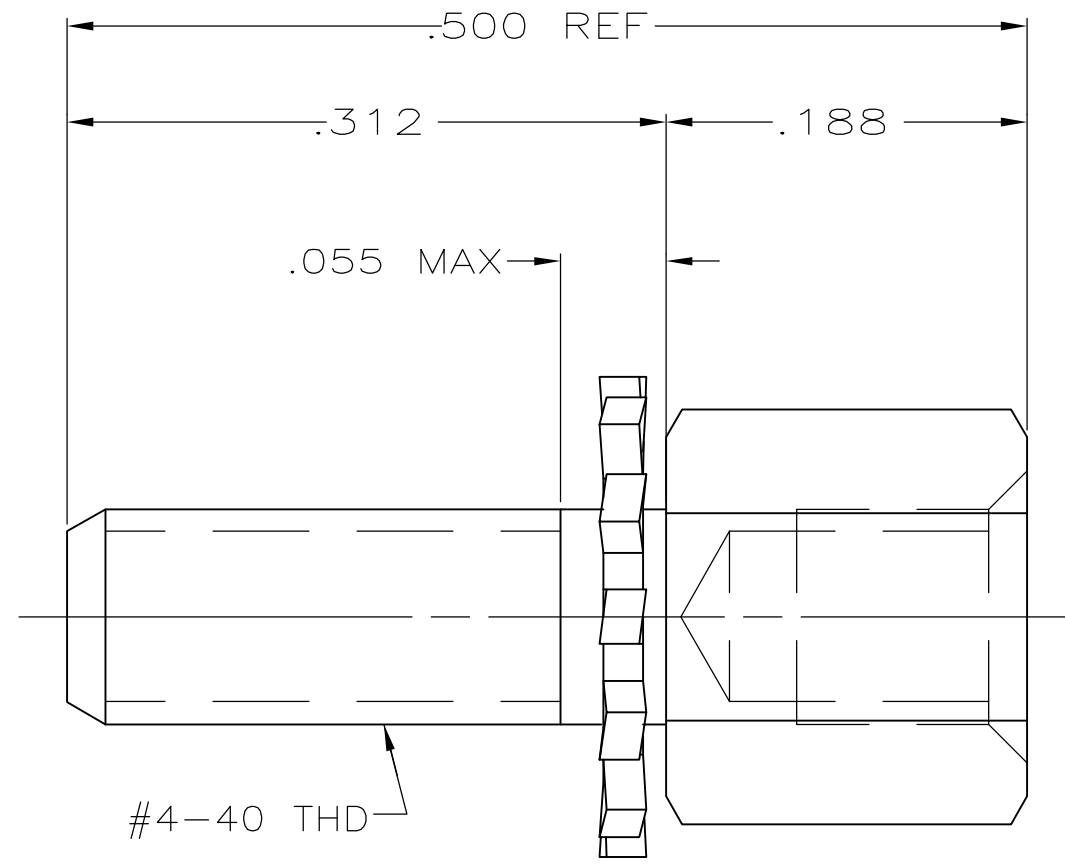


THIS DRAWING IS UNPUBLISHED. RELEASED FOR PUBLICATION  
 © COPYRIGHT BY TYCO ELECTRONICS CORPORATION. ALL RIGHTS RESERVED.

LOC	DIST	REVISIONS					
BD	39	P	LTR	DESCRIPTION	DATE	DWN	APVD
			B1	REVISED PER ECO-06-020811	12OCT06	JDP	CWR



- 1 ZINC PLATED PER ASTM B633, TYPE III, CLASS SCI, CLEAR CHROMATE.
- 2 PARTS PACKAGED AS A UNIT KIT.
- 3 PARTS INDIVIDUALLY BULK PACKED & SHIPPED AS A UNIT PACKAGE.
- 4 COLD ROLLED STEEL PER ASTM A108.

	3	2	1	748558-4
OBSELETE	2	2	1	748558-3
	PACKAGING	QUANTITY	FINISH	PART NO

THIS DRAWING IS A CONTROLLED DOCUMENT.		DWN	9-23-87		<p><b>tyco</b> Electronics</p> <p>Tyco Electronics Corporation Harrisburg, PA 17105-3608</p> <p><b>OBSELETE</b> NOT the LATEST REVISION</p>			
DIMENSIONS: INCHES		CHK	9-24-87					
TOLERANCES UNLESS OTHERWISE SPECIFIED:		APVD	9-28-87					
0 PLC ± - 1 PLC ± - 2 PLC ± - 3 PLC ± .005 4 PLC ± - ANGLES ± -		NAME	S.SCHIEFERLY					
MATERIAL		PRODUCT SPEC	9-28-87		SIZE	CAGE CODE	DRAWING NO	RESTRICTED TO
4		FINISH	SEE TABLE		A3	00779	C-748558	
CUSTOMER DRAWING				SCALE	10:1	SHEET	1 OF 1	REV
								B1