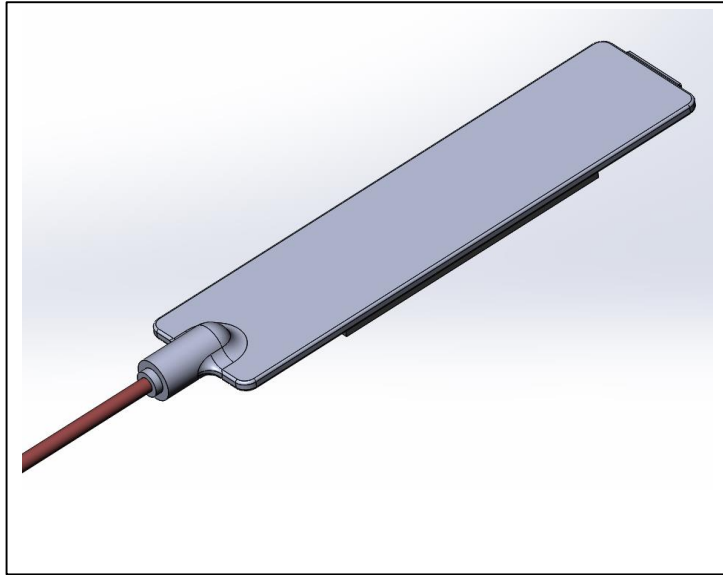


Description: Stealth Blade LTE Antenna

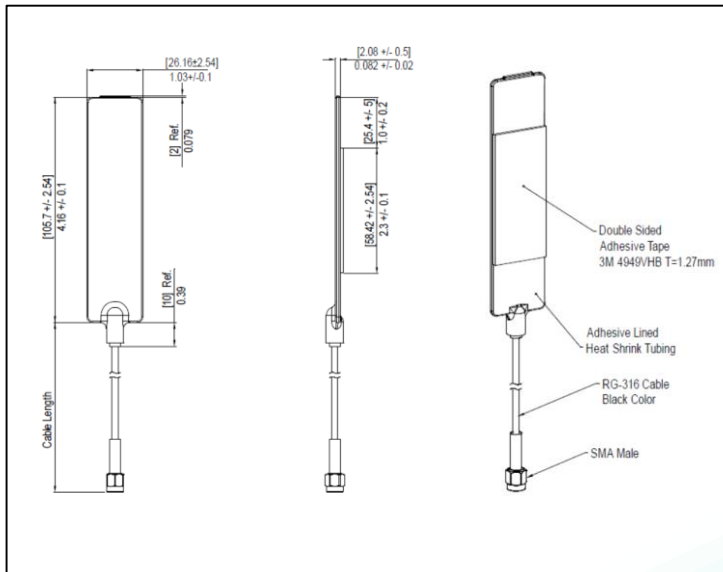
Series: Stealth Blade

PART NUMBER: SB698SMAXX



Features:

- Cost-effective, high-performance solution for LTE
- Slim, low-profile without sacrificing mechanical performance
- Multiple cable lengths and connector options
- Adhesive mount
- Flexible board
- IP-67 rating when installed to compliant surface
- RoHS Compliant Product
- Multiple and dual frequency products available



Applications:

- WLAN, LTE and 3G/4G applications
- Public Safety
- IoT - Vending/Smart Metering
- Access Points
- Vehicular (window, dashboard, visor)
- Data transmission

All dimensions are in mm / inches

Issue: 1623

In the effort to improve our products, we reserve the right to make changes judged to be necessary.

CONFIDENTIAL AND PROPRIETARY INFORMATION

This document contains confidential and proprietary information of Pulse Electronics, Inc. (Pulse) and is protected by copyright, trade secret and other state and federal laws. Its receipt or possession does not convey any rights to reproduce, disclose its contents, or to manufacture, use or sell anything it may describe. Reproduction, disclosure or use without specific written authorization of Pulse is strictly forbidden.

For more information:

Pulse Worldwide Headquarters  
12220 World Trade Drive  
San Diego, CA 92128  
USA  
Tel: 1-858-674-8100

Pulse/Larsen Antennas  
3611 NE 112<sup>th</sup> Ave  
Vancouver, WA 98682  
USA  
Tel: 1-360-944-7551

Europe Headquarters  
Pulse GmbH & Do, KG  
Zeppelinstrasse 15  
Herrenberg, Germany  
Tel: 49 7032 7806 0

Pulse (Suzhou) Wireless Products Co, Inc.  
99 Huo Ju Road(#29 Bldg, 4<sup>th</sup> Phase  
Suzhou New District  
Jiangsu Province, Suzhou 215009 PR China  
Tel: 86 512 6807 9998



**Description: Stealth Blade LTE Antenna**

**Series: Stealth Blade**

**PART NUMBER: SB698SMAXX**

**This document covers all product variants of the following product family:**

Projects	Connector	Cable Type	Cable Length	Weight
SB698SMA3	SMA Male	RG-316	3' / 914.4mm	26g
SB698SMA12			12' / 3657.6mm	49g

Issue: 1623

In the effort to improve our products, we reserve the right to make changes judged to be necessary.

CONFIDENTIAL AND PROPRIETARY INFORMATION

This document contains confidential and proprietary information of Pulse Electronics, Inc. (Pulse) and is protected by copyright, trade secret and other state and federal laws. Its receipt or possession does not convey any rights to reproduce, disclose its contents, or to manufacture, use or sell anything it may describe. Reproduction, disclosure or use without specific written authorization of Pulse is strictly forbidden.

**Description: Stealth Blade LTE Antenna****Series: Stealth Blade****PART NUMBER: SB698SMAXX****ELECTRICAL SPECIFICATIONS**

Antenna Type	Dipole (Measured with 315mm RG-174 Cable, in free space)
Frequency	698-960/1710-2170/2300-2700MHz
Nominal Impedance	50 $\Omega$
VSWR	2.5:1 Max
Peak Gain (698-960)	2 dBi
Peak Gain (1710-2700)	2 dBi
Efficiency (698-960)	50 %
Efficiency (1710-2700)	60 %
HPBW Horizontal Plane	Omni
HPBW Vertical Plane (698-960)	40°
HPBW Vertical Plane (1710-2170)	70°
HPBW Vertical Plane (2300-2700)	55°
Polarization	Vertical
Power withstanding	3 W
Connector type	Refer to table on Page 2
Cable type	Black RG-316
Length	Refer to table on Page 2

Issue: 1623

In the effort to improve our products, we reserve the right to make changes judged to be necessary.

CONFIDENTIAL AND PROPRIETARY INFORMATION

This document contains confidential and proprietary information of Pulse Electronics, Inc. (Pulse) and is protected by copyright, trade secret and other state and federal laws. Its receipt or possession does not convey any rights to reproduce, disclose its contents, or to manufacture, use or sell anything it may describe. Reproduction, disclosure or use without specific written authorization of Pulse is strictly forbidden.

**Description: Stealth Blade LTE Antenna**

**Series: Stealth Blade**

**PART NUMBER: SB698SMAXX**

### MECHANICAL SPECIFICATIONS

Color	Black
Ingress Protection	IP67
Weight	Refer to table on Page 2
Fixing system	Adhesive Tape

### ENVIRONMENTAL SPECIFICATIONS

Operating temperature	-40 ~ +85° C
-----------------------	--------------

Issue: 1623

In the effort to improve our products, we reserve the right to make changes judged to be necessary.

CONFIDENTIAL AND PROPRIETARY INFORMATION

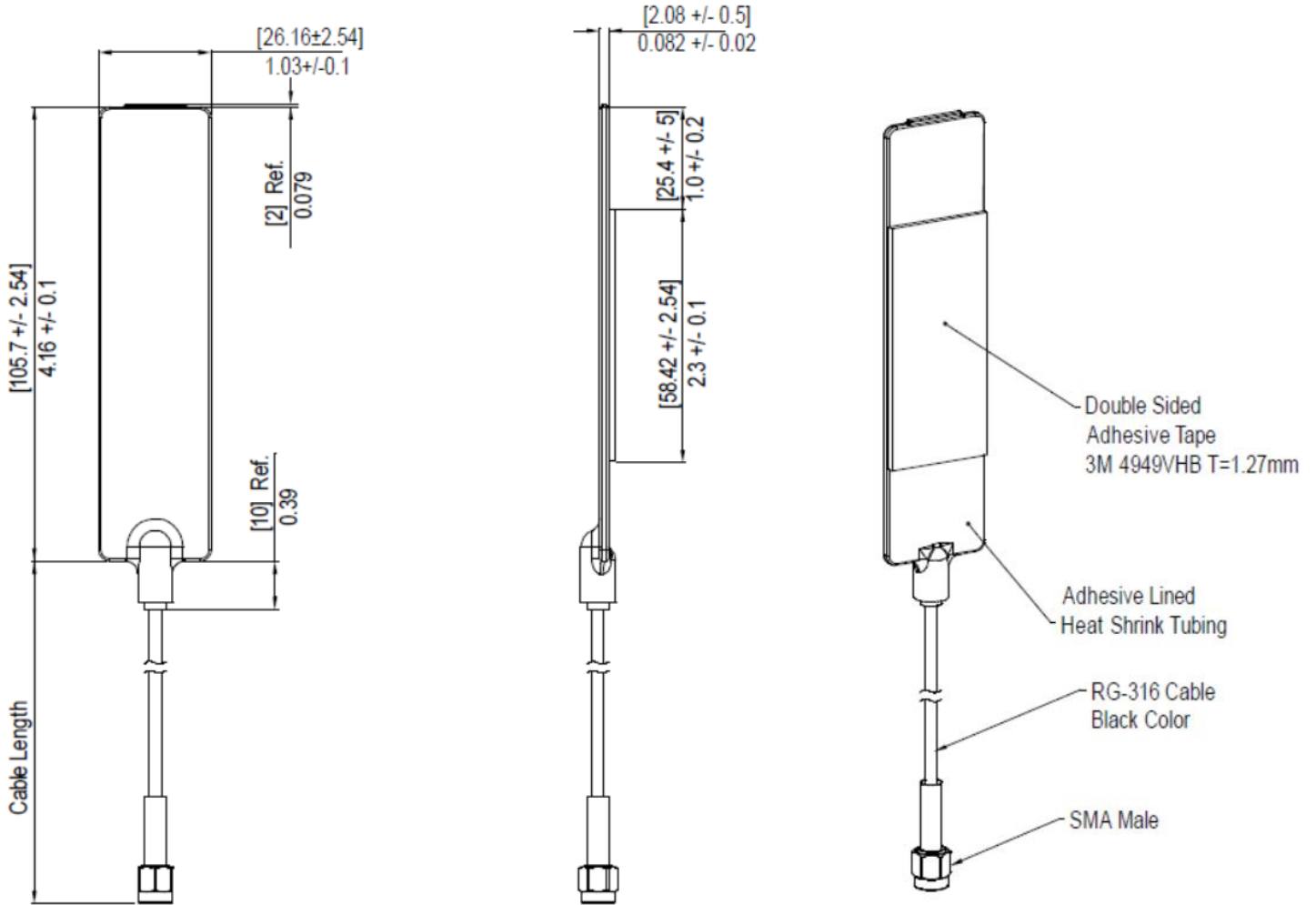
This document contains confidential and proprietary information of Pulse Electronics, Inc. (Pulse) and is protected by copyright, trade secret and other state and federal laws. Its receipt or possession does not convey any rights to reproduce, disclose its contents, or to manufacture, use or sell anything it may describe. Reproduction, disclosure or use without specific written authorization of Pulse is strictly forbidden.

Description: Stealth Blade LTE Antenna

Series: Stealth Blade

PART NUMBER: SB698SMAXX

MECHANICAL DRAWING



Issue: 1623

In the effort to improve our products, we reserve the right to make changes judged to be necessary.

CONFIDENTIAL AND PROPRIETARY INFORMATION

This document contains confidential and proprietary information of Pulse Electronics, Inc. (Pulse) and is protected by copyright, trade secret and other state and federal laws. Its receipt or possession does not convey any rights to reproduce, disclose its contents, or to manufacture, use or sell anything it may describe. Reproduction, disclosure or use without specific written authorization of Pulse is strictly forbidden.

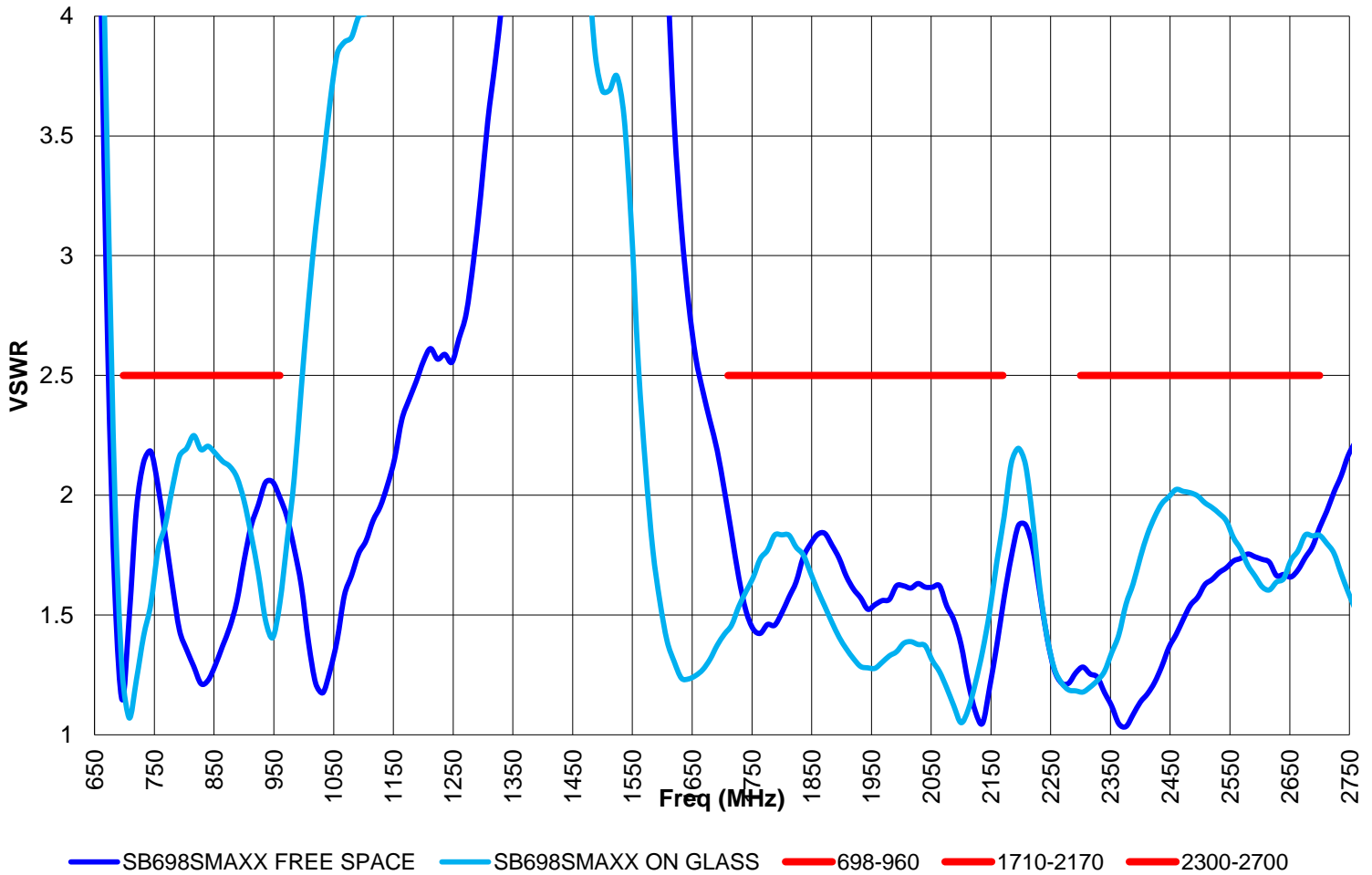
Description: Stealth Blade LTE Antenna

Series: Stealth Blade

PART NUMBER: SB698SMAXX

CHARTS

S11 Parameter Measured with 315mm RG-174 cable



Issue: 1623

In the effort to improve our products, we reserve the right to make changes judged to be necessary.

CONFIDENTIAL AND PROPRIETARY INFORMATION

This document contains confidential and proprietary information of Pulse Electronics, Inc. (Pulse) and is protected by copyright, trade secret and other state and federal laws. Its receipt or possession does not convey any rights to reproduce, disclose its contents, or to manufacture, use or sell anything it may describe. Reproduction, disclosure or use without specific written authorization of Pulse is strictly forbidden.



Description: Stealth Blade LTE Antenna

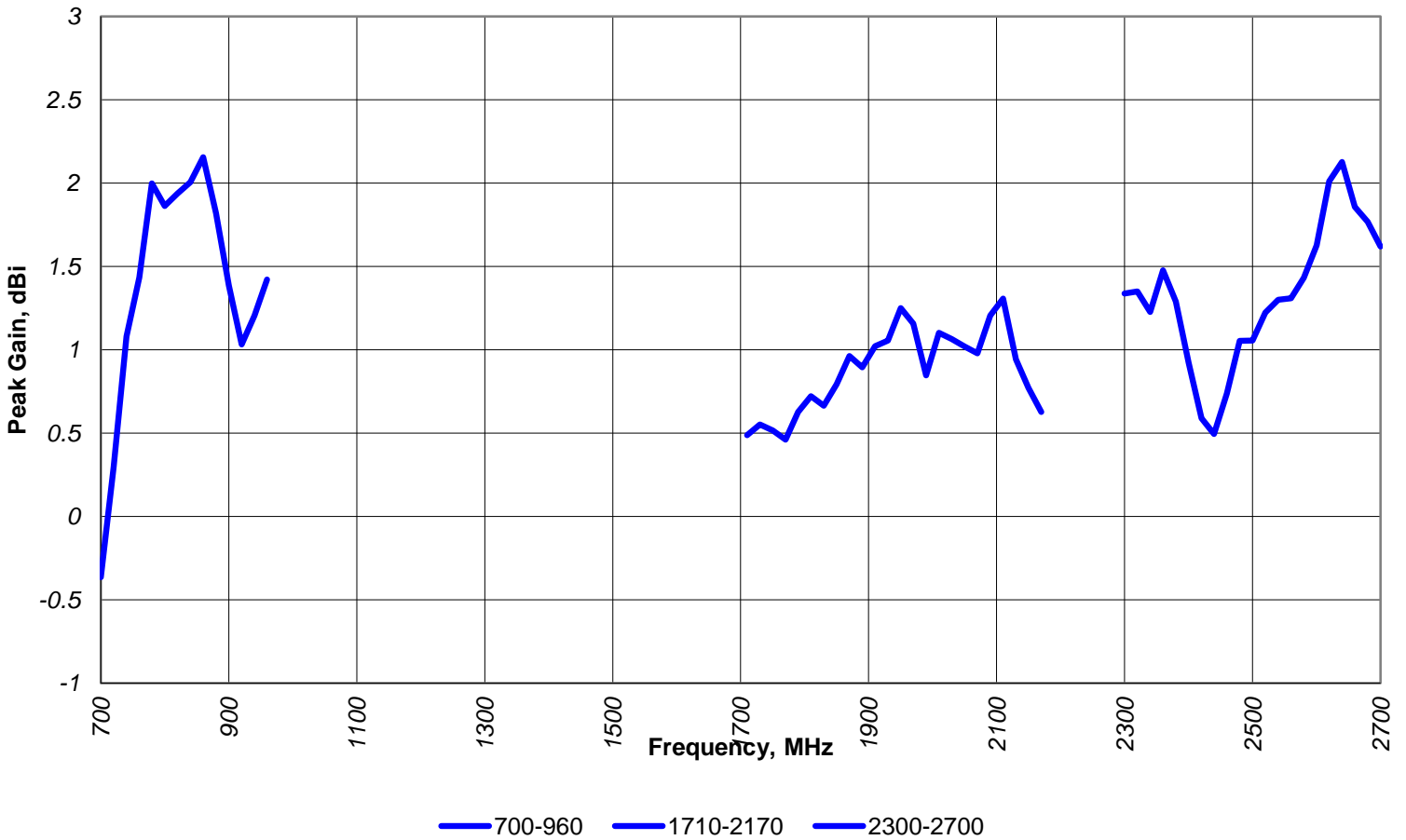
Series: Stealth Blade

PART NUMBER: SB698SMAXX

CHARTS

Peak Gain vs Frequency  
SB698SMAXX Free space

Measured at Pulse, USA - June 01, 2016



Issue: 1623

In the effort to improve our products, we reserve the right to make changes judged to be necessary.

CONFIDENTIAL AND PROPRIETARY INFORMATION

This document contains confidential and proprietary information of Pulse Electronics, Inc. (Pulse) and is protected by copyright, trade secret and other state and federal laws. Its receipt or possession does not convey any rights to reproduce, disclose its contents, or to manufacture, use or sell anything it may describe. Reproduction, disclosure or use without specific written authorization of Pulse is strictly forbidden.



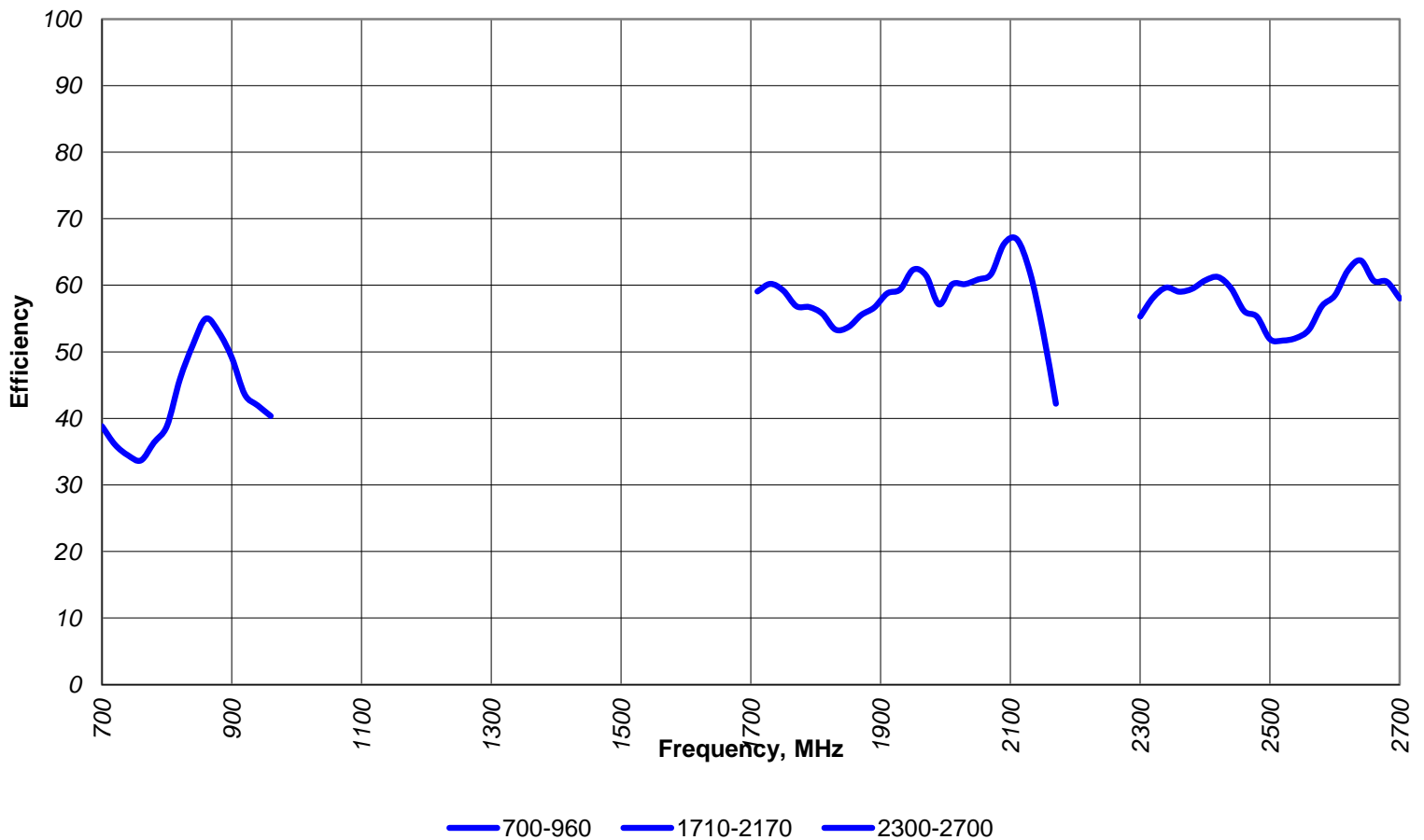
Description: Stealth Blade LTE Antenna

Series: Stealth Blade

PART NUMBER: SB698SMAXX

CHARTS

Efficiency vs Frequency  
 SB698SMAXX Free space  
 Measured at Pulse, USA - June 01, 2016



Issue: 1623

In the effort to improve our products, we reserve the right to make changes judged to be necessary.

CONFIDENTIAL AND PROPRIETARY INFORMATION

This document contains confidential and proprietary information of Pulse Electronics, Inc. (Pulse) and is protected by copyright, trade secret and other state and federal laws. Its receipt or possession does not convey any rights to reproduce, disclose its contents, or to manufacture, use or sell anything it may describe. Reproduction, disclosure or use without specific written authorization of Pulse is strictly forbidden.



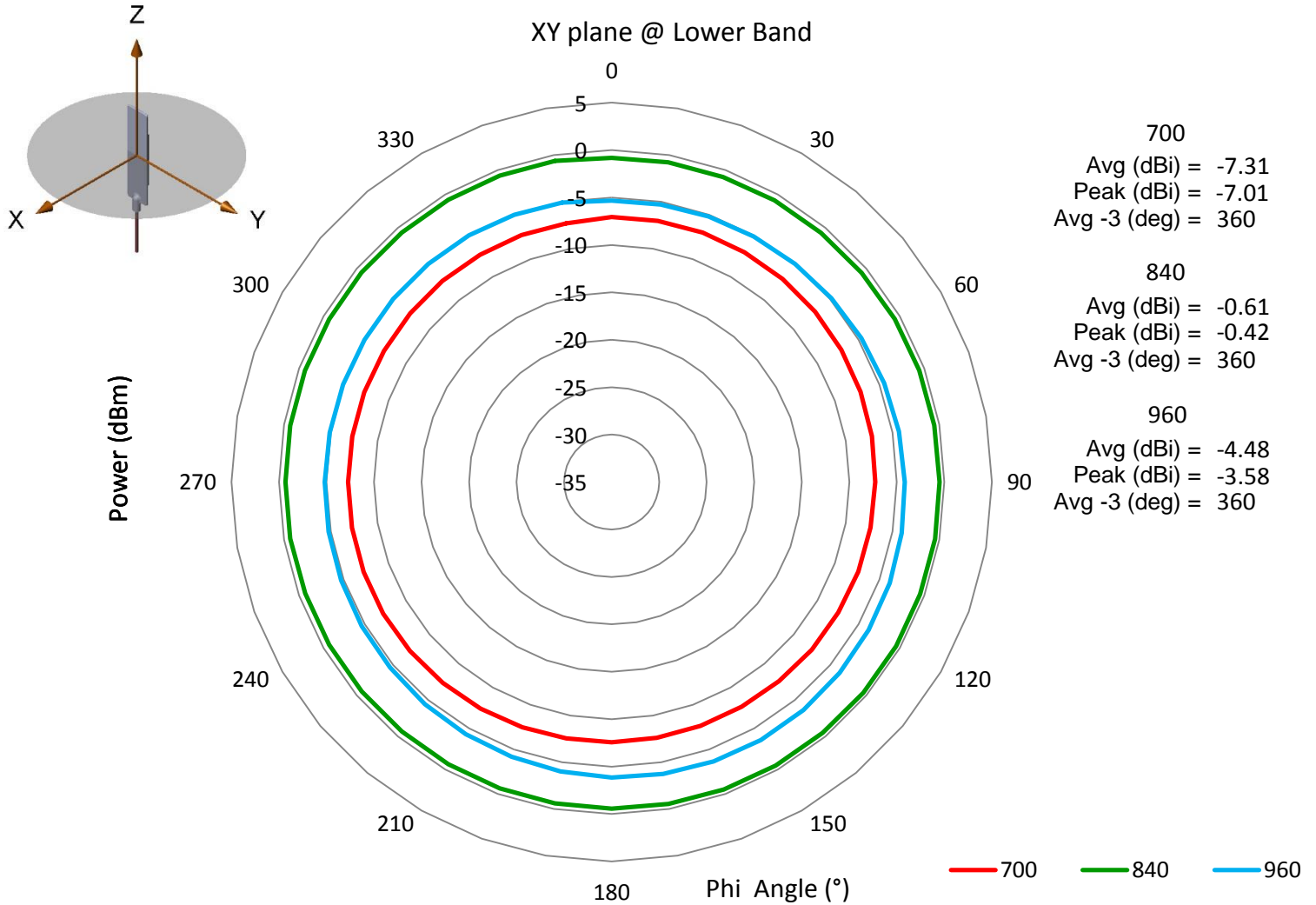


Description: Stealth Blade LTE Antenna

Series: Stealth Blade

PART NUMBER: SB698SMAXX

CHARTS



Issue: 1623

In the effort to improve our products, we reserve the right to make changes judged to be necessary.

CONFIDENTIAL AND PROPRIETARY INFORMATION

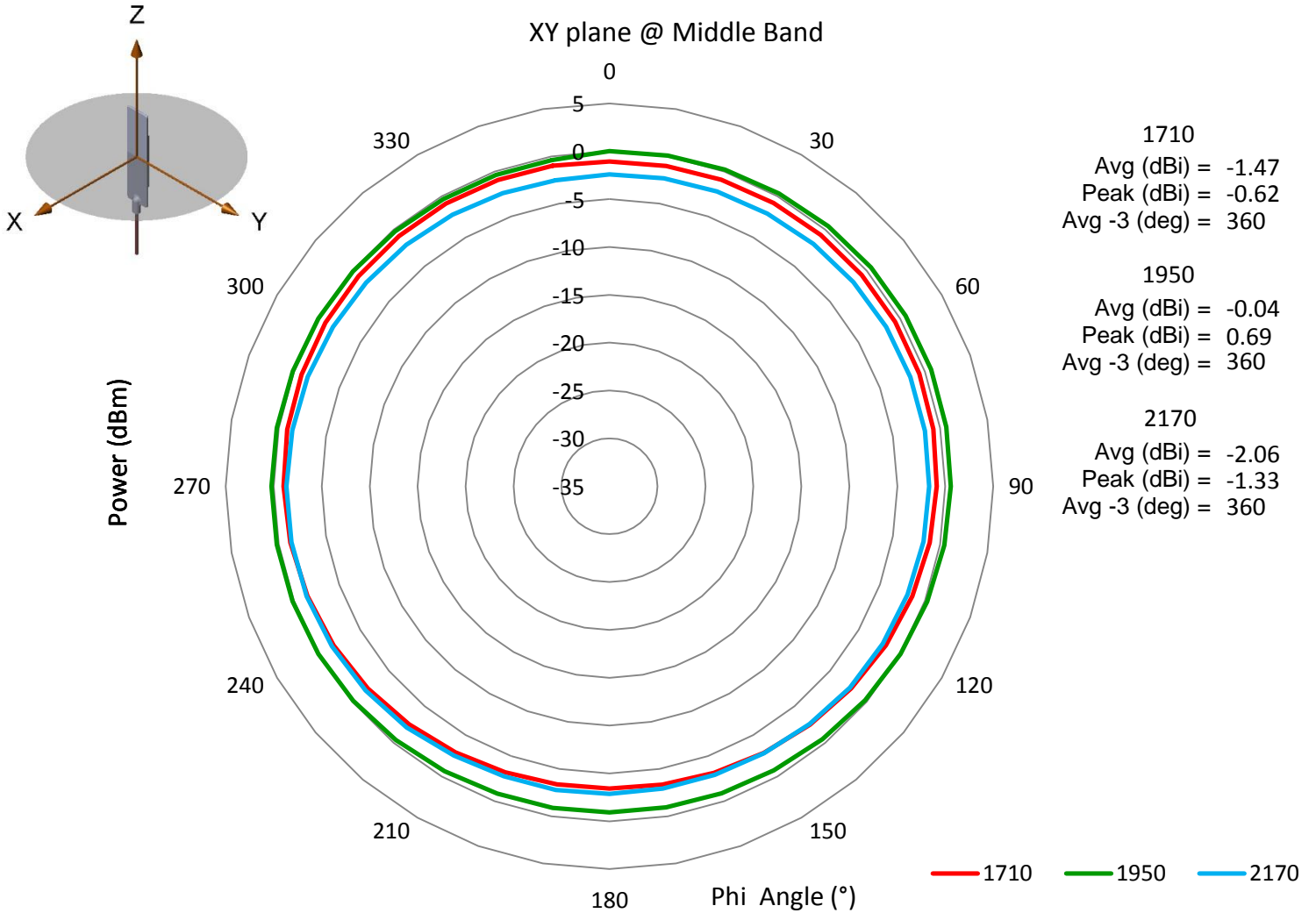
This document contains confidential and proprietary information of Pulse Electronics, Inc. (Pulse) and is protected by copyright, trade secret and other state and federal laws. Its receipt or possession does not convey any rights to reproduce, disclose its contents, or to manufacture, use or sell anything it may describe. Reproduction, disclosure or use without specific written authorization of Pulse is strictly forbidden.

Description: Stealth Blade LTE Antenna

Series: Stealth Blade

PART NUMBER: SB698SMAXX

CHARTS



Issue: 1623

In the effort to improve our products, we reserve the right to make changes judged to be necessary.

CONFIDENTIAL AND PROPRIETARY INFORMATION

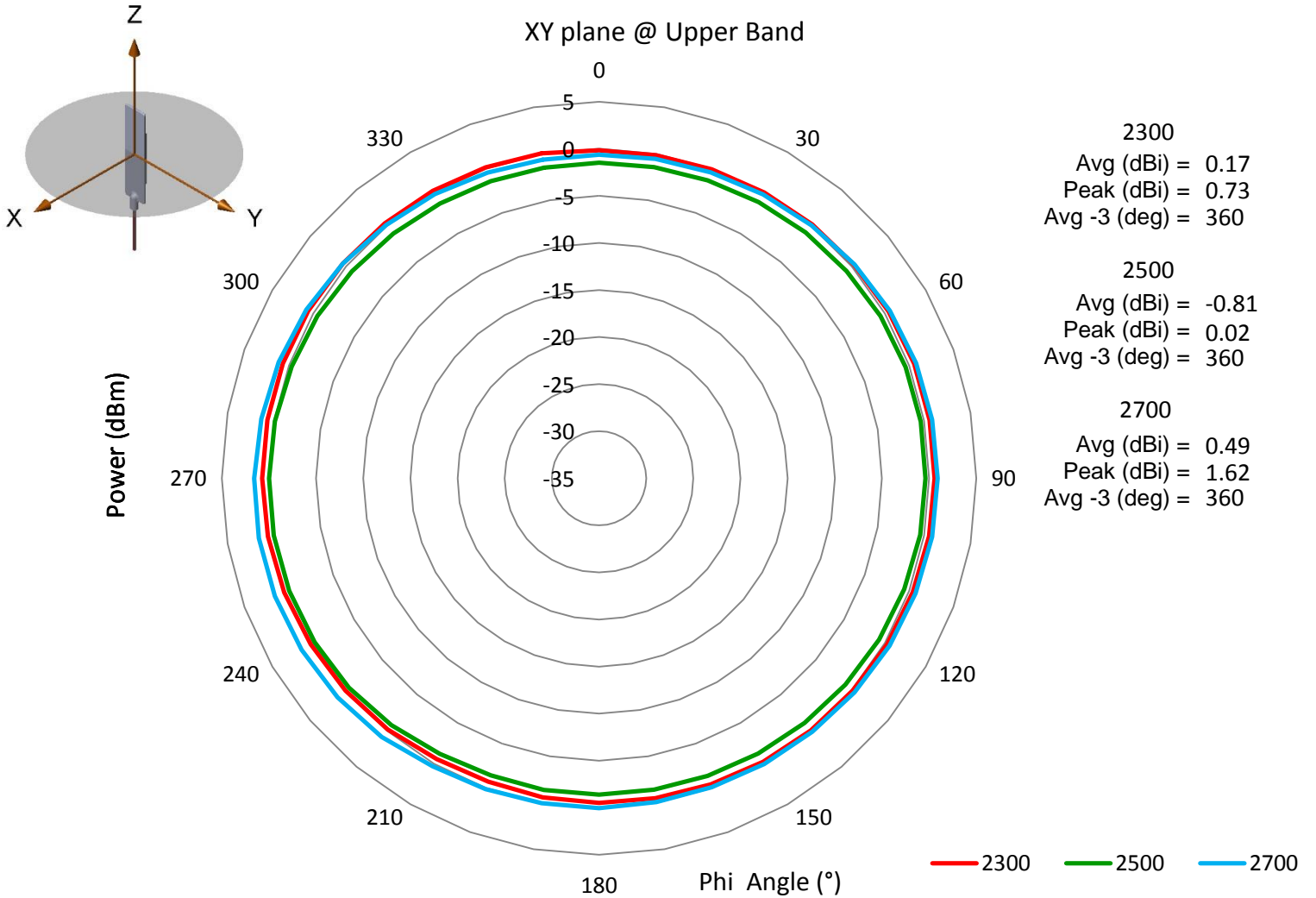
This document contains confidential and proprietary information of Pulse Electronics, Inc. (Pulse) and is protected by copyright, trade secret and other state and federal laws. Its receipt or possession does not convey any rights to reproduce, disclose its contents, or to manufacture, use or sell anything it may describe. Reproduction, disclosure or use without specific written authorization of Pulse is strictly forbidden.

Description: Stealth Blade LTE Antenna

Series: Stealth Blade

PART NUMBER: SB698SMAXX

CHARTS



Issue: 1623

In the effort to improve our products, we reserve the right to make changes judged to be necessary.

CONFIDENTIAL AND PROPRIETARY INFORMATION

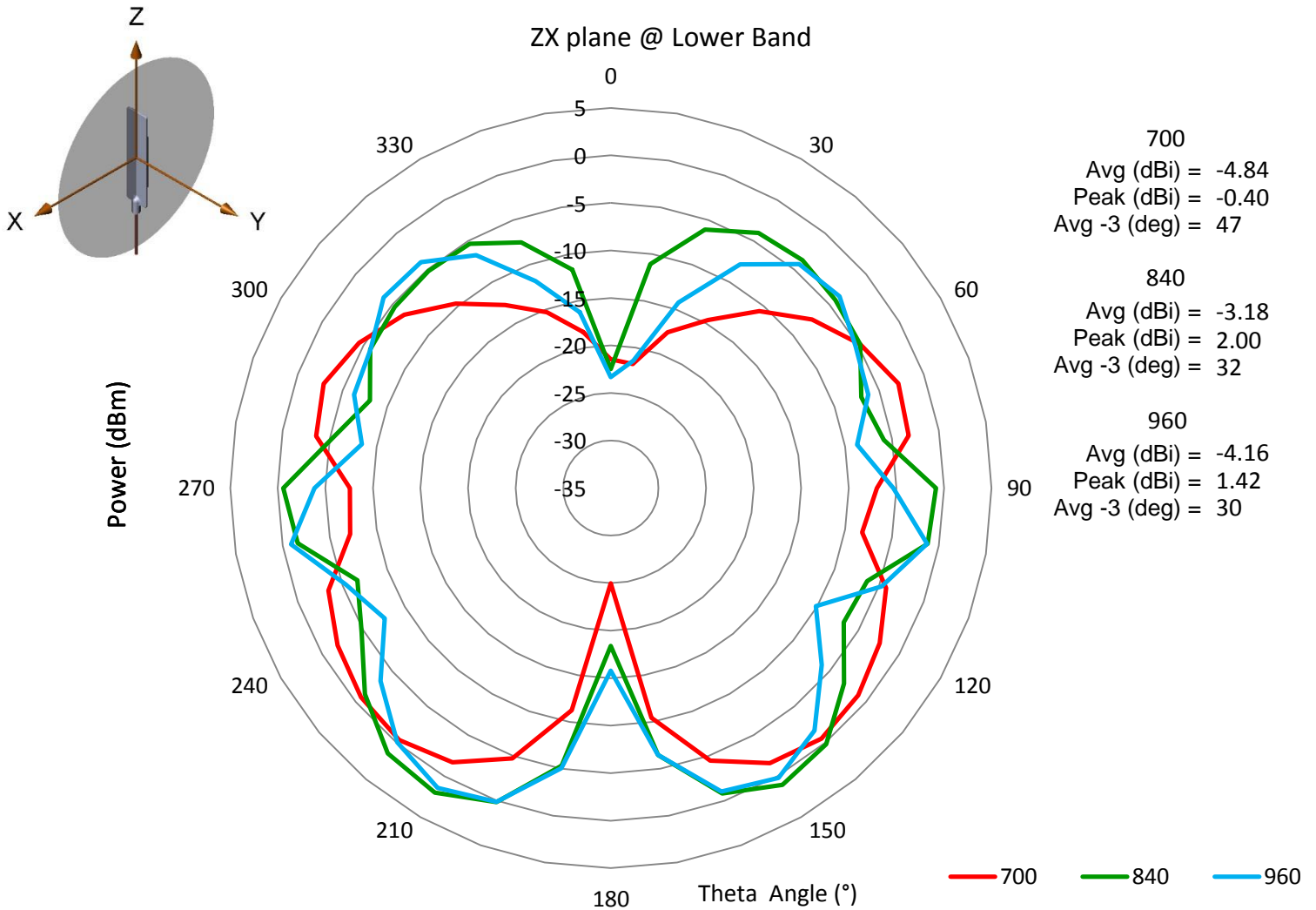
This document contains confidential and proprietary information of Pulse Electronics, Inc. (Pulse) and is protected by copyright, trade secret and other state and federal laws. Its receipt or possession does not convey any rights to reproduce, disclose its contents, or to manufacture, use or sell anything it may describe. Reproduction, disclosure or use without specific written authorization of Pulse is strictly forbidden.

Description: Stealth Blade LTE Antenna

Series: Stealth Blade

PART NUMBER: SB698SMAXX

CHARTS



Issue: 1623

In the effort to improve our products, we reserve the right to make changes judged to be necessary.

CONFIDENTIAL AND PROPRIETARY INFORMATION

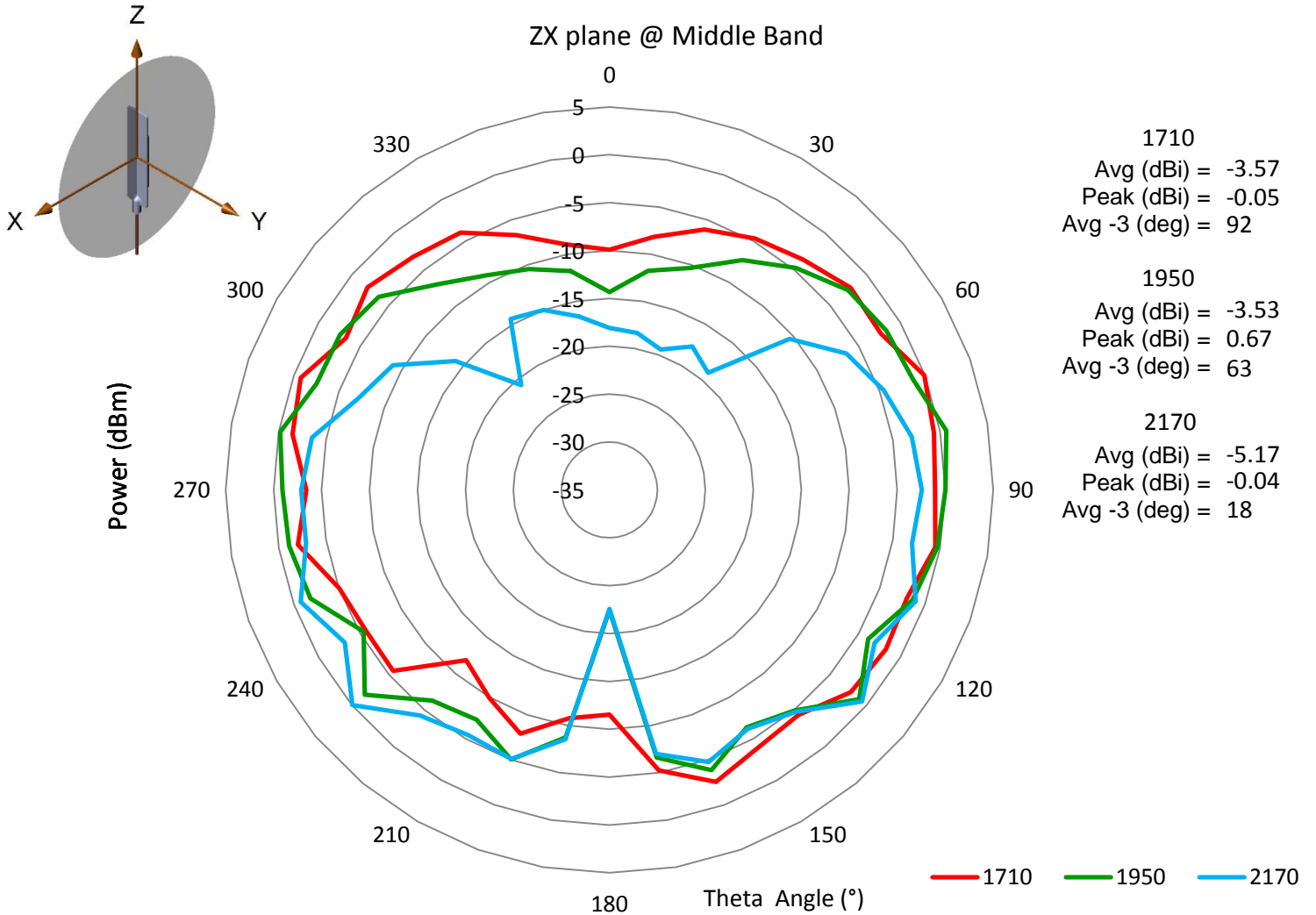
This document contains confidential and proprietary information of Pulse Electronics, Inc. (Pulse) and is protected by copyright, trade secret and other state and federal laws. Its receipt or possession does not convey any rights to reproduce, disclose its contents, or to manufacture, use or sell anything it may describe. Reproduction, disclosure or use without specific written authorization of Pulse is strictly forbidden.

**Description: Stealth Blade LTE Antenna**

**Series: Stealth Blade**

**PART NUMBER: SB698SMAXX**

**CHARTS**



Issue: 1623

In the effort to improve our products, we reserve the right to make changes judged to be necessary.

CONFIDENTIAL AND PROPRIETARY INFORMATION

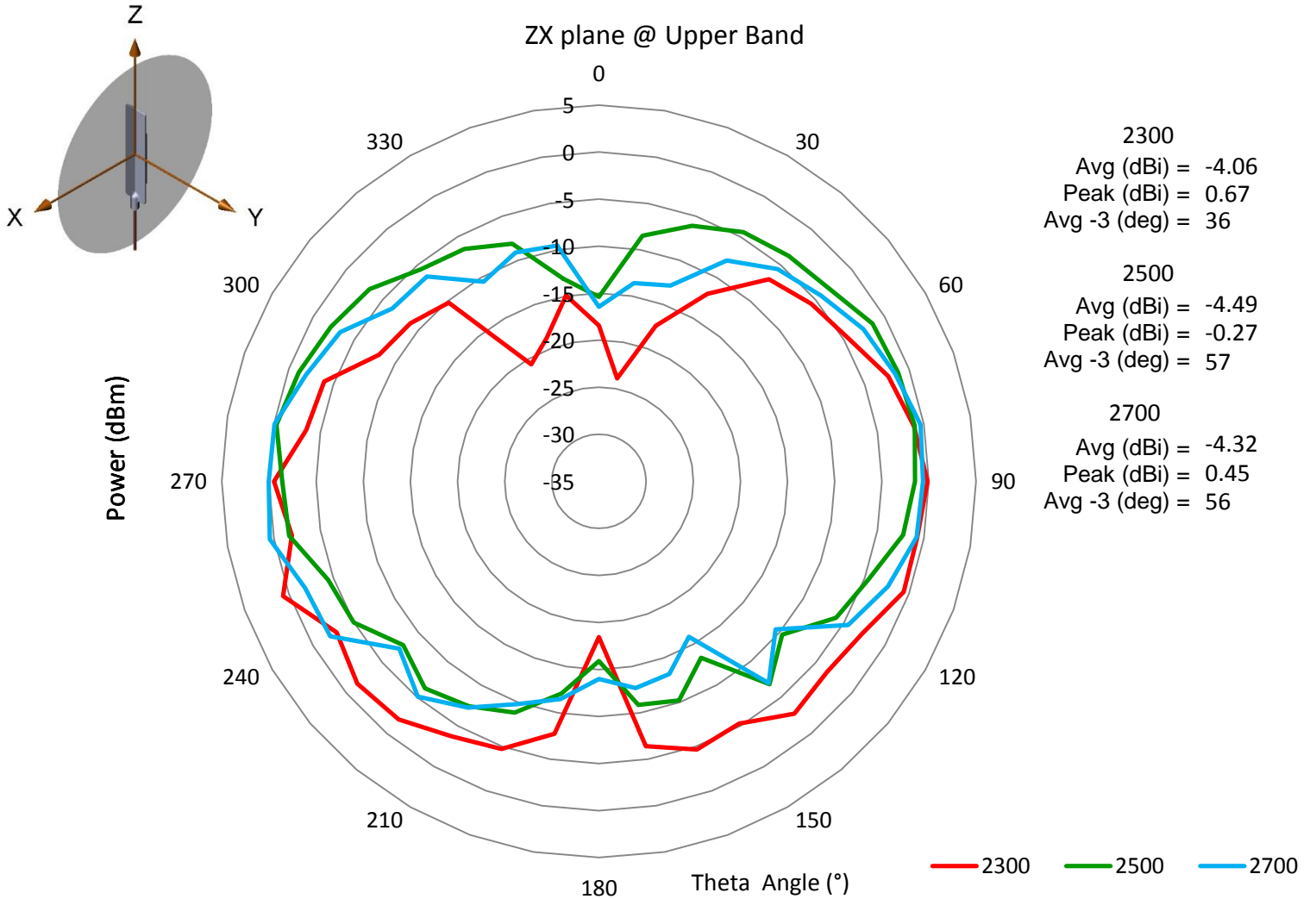
This document contains confidential and proprietary information of Pulse Electronics, Inc. (Pulse) and is protected by copyright, trade secret and other state and federal laws. Its receipt or possession does not convey any rights to reproduce, disclose its contents, or to manufacture, use or sell anything it may describe. Reproduction, disclosure or use without specific written authorization of Pulse is strictly forbidden.

Description: Stealth Blade LTE Antenna

Series: Stealth Blade

PART NUMBER: SB698SMAXX

CHARTS



Issue: 1623

In the effort to improve our products, we reserve the right to make changes judged to be necessary.

CONFIDENTIAL AND PROPRIETARY INFORMATION

This document contains confidential and proprietary information of Pulse Electronics, Inc. (Pulse) and is protected by copyright, trade secret and other state and federal laws. Its receipt or possession does not convey any rights to reproduce, disclose its contents, or to manufacture, use or sell anything it may describe. Reproduction, disclosure or use without specific written authorization of Pulse is strictly forbidden.

