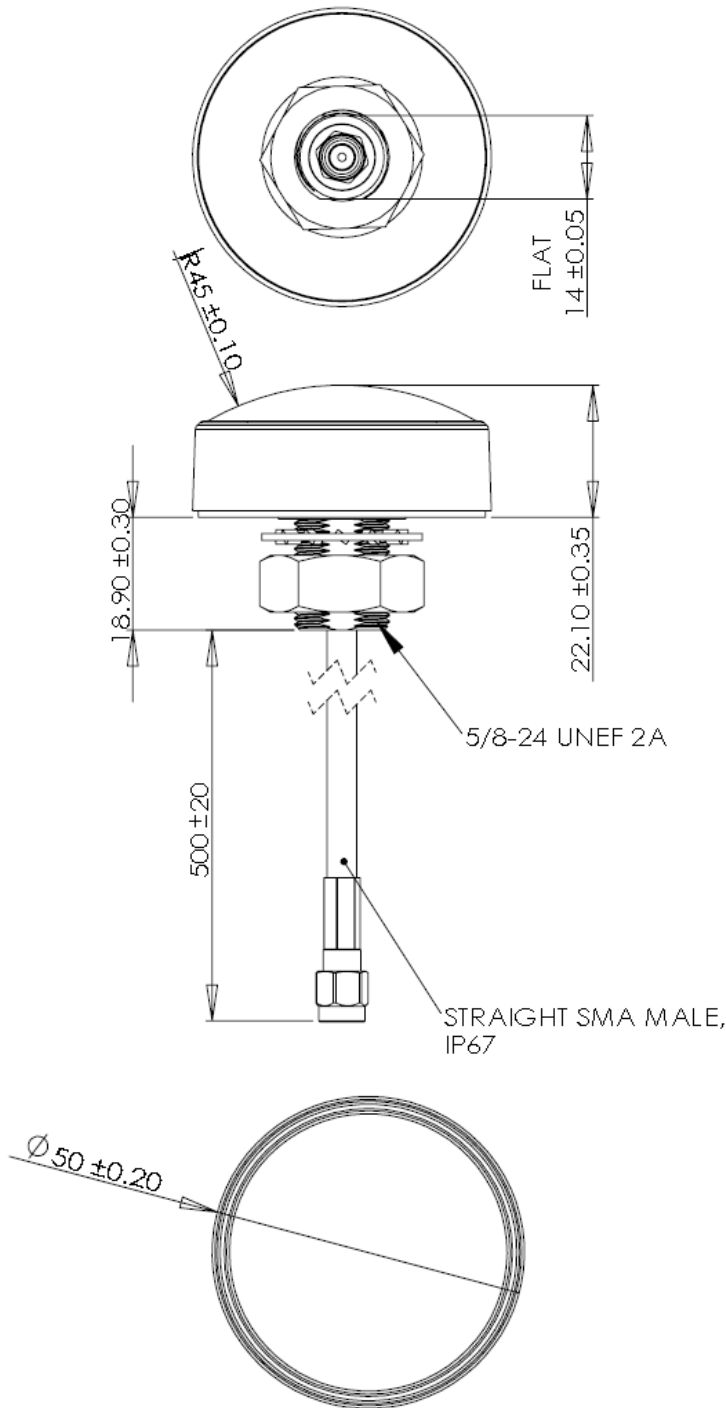


**DESCRIPTION**

**GPS DIRECT MOUNT 1575.42 MHZ**

**GPSDM26B0500**

Series : **ANTENNA**



All dimensions are in mm

**Issue: 1618**

In the effort to improve our products, we reserve the right to make changes judged to be necessary.

**CONFIDENTIAL AND PROPRIETARY INFORMATION**

This document contains confidential and proprietary information of Pulse Electronics, Inc. (Pulse) and is protected by copyright, trade secret and other state and federal laws. Its receipt or possession does not convey any rights to reproduce, disclose its contents, or to manufacture, use or sell anything it may describe. Reproduction, disclosure or use without specific written authorization of Pulse is strictly forbidden



DESCRIPTION

GPS DIRECT MOUNT 1575.42 MHZ

## GPSDM26B0500

Series : ANTENNA

### ELECTRICAL SPECIFICATIONS

|                         |                         |                 |
|-------------------------|-------------------------|-----------------|
| Frequency               | 1575.4±5                | GHz             |
| Nominal Impedance       | 50                      | Ω               |
| VSWR                    | 2.0:1                   | Max in band     |
| Gain                    | 4.0 MIN                 | @ ZENITH        |
| Gain                    | 1.0                     | dBi @ 10 ° ELEV |
| Gain (LNA)@3-5V         | 25                      | dB±2dB          |
| Radiation Pattern       | RCHP                    |                 |
| Out of band attenuation | 60 dB min               | @1575.5±50 MHz  |
| DC Input voltage        | 3-5                     | V               |
| Connector type          | Straight SMA Male, IP67 |                 |
| Cable type              | LMR-195                 |                 |
| Length                  | Refer to drawing        |                 |

**Issue: 1618**

In the effort to improve our products, we reserve the right to make changes judged to be necessary.

**CONFIDENTIAL AND PROPRIETARY INFORMATION**

This document contains confidential and proprietary information of Pulse Electronics, Inc. (Pulse) and is protected by copyright, trade secret and other state and federal laws. Its receipt or possession does not convey any rights to reproduce, disclose its contents, or to manufacture, use or sell anything it may describe. Reproduction, disclosure or use without specific written authorization of Pulse is strictly forbidden



**DESCRIPTION**

**GPS DIRECT MOUNT 1575.42 MHZ**

**GPSDM26B0500**

Series : **ANTENNA**

**MECHANICAL SPECIFICATIONS**

|                           |                   |
|---------------------------|-------------------|
| Plastic Radome            | PC/ABS            |
| Color                     | Pantone 427C Gray |
| Ingress Protection        | IP67              |
| Weight                    | 130 g             |
| Overall length            | 541 mm            |
| Cable retention: Pull off | 7-35 N            |
| Installation torque       | 38-42 IN/LBS      |

**ENVIRONMENTAL SPECIFICATIONS**

|                          |  |
|--------------------------|--|
| Operating temperature    | -40/+85 ° C                                  |
| Temperature shock        | Per EDCS 1180288, Sec 3.3.13.2 Rate 5° C/min |
| Humidity                 | Per EDCS 1180288, Sec 3.3.13.3               |
| Operational altitude     | Per EDCS 1180288, Sec 3.3.13.4               |
| Non-operational altitude | Per EDCS 1180288, Sec 3.3.13.2               |
| Mechanical shock         | Per EDCS 1180288, Sec 3.3.13.6               |
| Mechanical vibration     | Per EDCS 1180288, Sec 3.3.13.8               |
| Salt mist                | Per EDCS 1180288, Sec 3.3.13.1               |
| Drop test                | Uncontrolled 10 times 42.0 inches            |

**Issue: 1618**

In the effort to improve our products, we reserve the right to make changes judged to be necessary.

**CONFIDENTIAL AND PROPRIETARY INFORMATION**

This document contains confidential and proprietary information of Pulse Electronics, Inc. (Pulse) and is protected by copyright, trade secret and other state and federal laws. Its receipt or possession does not convey any rights to reproduce, disclose its contents, or to manufacture, use or sell anything it may describe. Reproduction, disclosure or use without specific written authorization of Pulse is strictly forbidden



**DESCRIPTION**

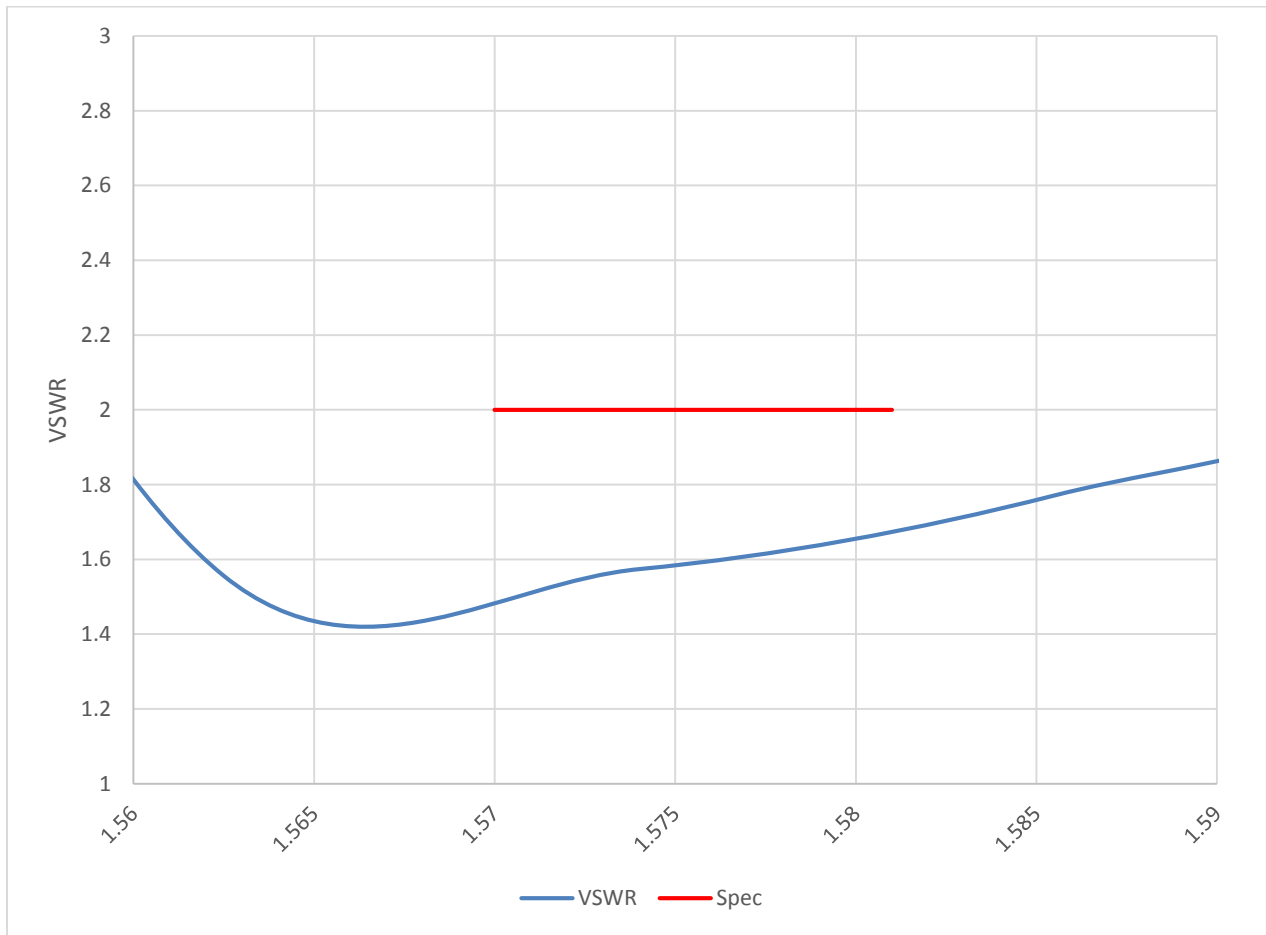
**GPS DIRECT MOUNT 1575.42 MHZ**

**GPSDM26B0500**

Series : **ANTENNA**

**Charts**

VSWR



**Issue: 1618**

In the effort to improve our products, we reserve the right to make changes judged to be necessary.

**CONFIDENTIAL AND PROPRIETARY INFORMATION**

This document contains confidential and proprietary information of Pulse Electronics, Inc. (Pulse) and is protected by copyright, trade secret and other state and federal laws. Its receipt or possession does not convey any rights to reproduce, disclose its contents, or to manufacture, use or sell anything it may describe. Reproduction, disclosure or use without specific written authorization of Pulse is strictly forbidden

