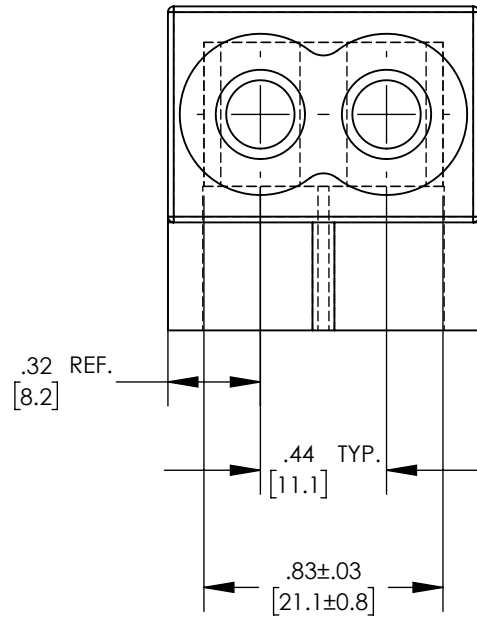
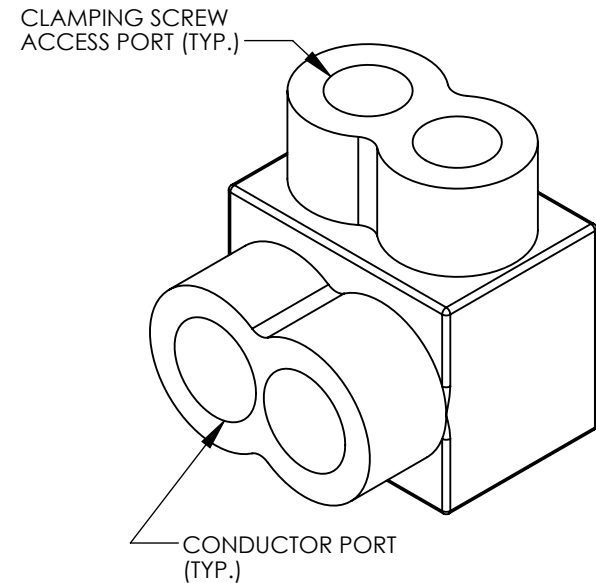


PART NUMBER	CONDUCTOR RANGE	HEX KEY	WIRE STRIP LENGTH	SCREW QTY.	CAP (SCREW PORT) QTY.	CAP (WIRE PORT) QTY.
BLKPSB4-2S-12	#4 - #14 STR #10 - #14 SOL	1/8	.56 [14.2]	2	2	2

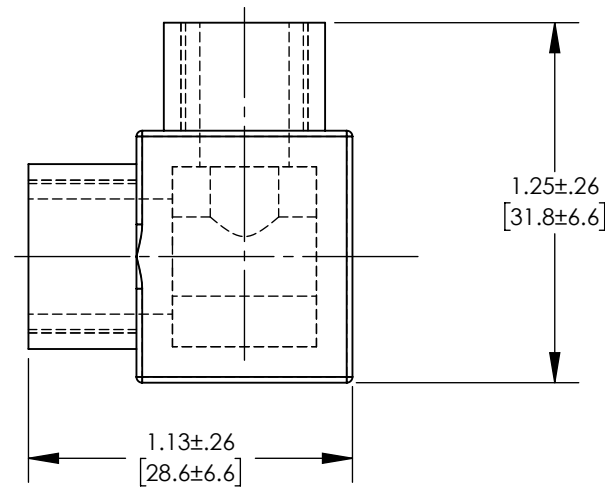
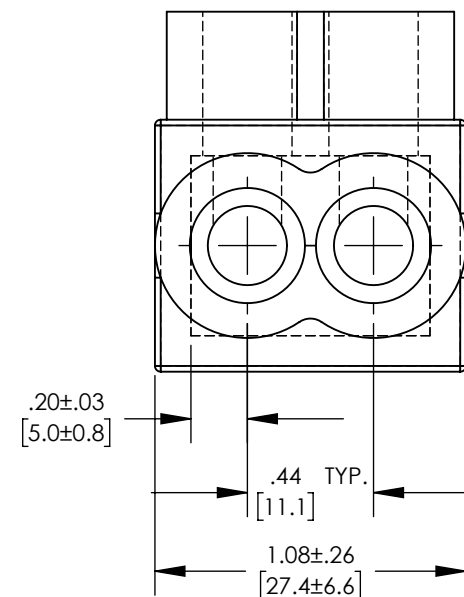


TWO PORT CONNECTOR BLOCK SHOWN WITH PLASTIC CLOSURE PLUGS REMOVED.



NOTES:

- UL486A-UL486B LISTED/CSA CERTIFIED C22.2 No. 65, DUAL RATED AL9CU FOR ALUMINUM OR COPPER CONDUCTORS. MEETS OR EXCEEDS ANSI C119.4
- VOLTAGE RATING: 600 V. MAX BUILDING WIRE, 1000 V. MAX. IN SIGNS & FIXTURES.
- TEMPERATURE RATING: 90° C (AL9CU).
- CONNECTOR BLOCK BODY MADE FROM ALUMINUM. CONDUCTOR PORTS ARE PREFILLED WITH AN OXIDE INHIBITING COMPOUND.
- CONNECTOR TO INCLUDE ZINC PLATED STEEL CLAMPING SCREWS FOR EACH CONDUCTOR PORT.
- INSULATION MATERIAL IS BLACK PVC.
- INSULATION MATERIAL HAS A UL94V-0 FLAME RATING.
- INSULATION MATERIAL HAS A UV-1 RATING.
- CONNECTOR RATED FOR INDOOR USE ONLY.
- CLAMPING SCREW ACCESS PORTS AND ALL WIRE ENTRY PORTS PROVIDED WITH REMOVEABLE PLASTIC CLOSURE PLUGS.
- CLOSURE PLUG MATERIAL IS A BLACK LDPE.
- CLOSURE PLUG MATERIAL DOES NOT HAVE A UV RATING OR FLAME RATING.
- SEE PACKAGE LABEL FOR TIGHTENING TORQUE SPECIFICATIONS.
- ONLY ONE CONDUCTOR PER PORT ALLOWED.
- DIMENSIONS IN BRACKETS ARE MILLIMETERS.
- PKG. QTY. = 12



REV	DATE	BY	CHK	APR	DESCRIPTION	ECN
03	8/16	JHNU	BKR	RGB	REVISED NOTE 7: UL94V-0 REVSIED NOTE 12: ADDED UV RATING ADDED UV-1 RATING NOTE ADDED INDOOR USE ONLY NOTE	13J051CX-DC
02	1/16	JHNU	BKR	RGB	REVISED NOTE 5: ZINC PLATED STEEL WAS TIN PLATED ALUMINUM	13J051CX-DC
01	1/16	JHNU	BKR	RGB	ADDED PACKAGING QTY. TO PART NUMBER	13J051CX-DC
00	12/15	JHNU	BKR	RGB	DRAWING RELEASED	13J051CX-DC

TITLE MULTI-TAP BLACK INSULATED CONNECTOR, SINGLE SIDED BLKPSB4-2S SERIES CUSTOMER DRAWING						
ITEM REVISION NAME		13J051CX/03				
DATASET FILE NAME		13J051CX-DC/03.SLDDRW				
UNLESS OTHERWISE SPECIFIED, DIMENSIONAL TOLERANCES ARE: IN [mm]						
.X ±		.XXX ±		MATERIAL		
.XX ± .02 [0.5]		ANGLES ±		SEE NOTES		
				THIRD ANGLE PROJECTION		
DRAWN BY		DATE		CHK		SCALE
JHNU		12/15		RGB		N/A
DRAWING NUMBER						13J051CX-DC
SHEET 1 OF 1						SIZE B