

# 10/100 PC Card LAN Magnetic Modules



- RoHS peak reflow temperature rating 245°C
- Low profile packages from .094" (2,39mm) to .078" (1,98mm) for PC card and cardbus applications

## Electrical Specifications @ 25°C - Operating Temperature 0°C to +70°C

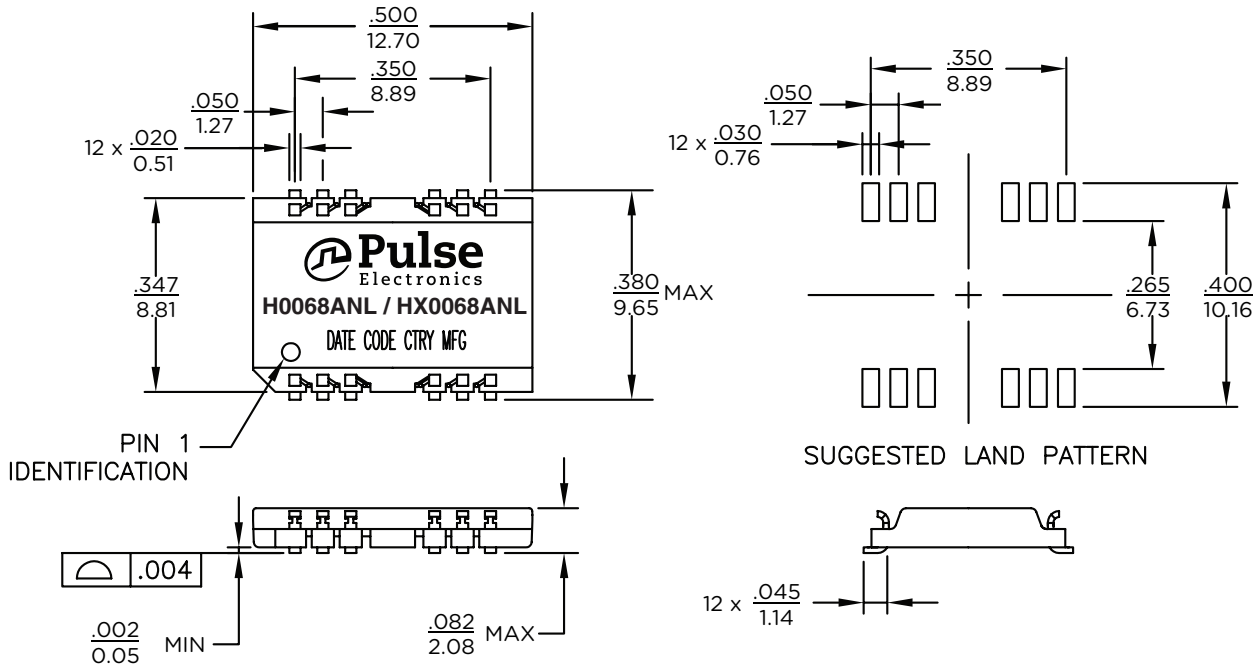
RoHS Compliant Part Number	Turns Ratio (±5%)		Insertion Loss (dB MAX) 100 kHz-100 MHz	Return Loss (dB MIN)			Differential to Common Mode Rejection (dB MIN)			Crosstalk (dB MIN)			Hipot (Vrms MIN)
	TX	wRX		30 MHz	60 MHz	80 MHz	30 MHz	50 MHz	100 MHz	30 MHz	62 MHz	100 MHz	
H0013NL <sup>2a</sup>	1:1	1:1	-0.9	-16	-12	-11	-35	-33	-20	-50	-45	-40	1500
H0068ANL <sup>2a</sup>	1:1	1:1	-1.0	-16	-14	-12	-40	-35	-30	-45	-40	-37	1500
HX0068ANL <sup>1,2a</sup>	1:1	1:1	-1.0	-16	-14	-12	-40	-35	-30	-45	-40	-35	1500

- Extended operating temperature (-40°C to +85°C)
- MSL (Moisture Sensitivity Level): a = 1, b = 2, c = 3, d = 4, e = 5

**Notes:** When ordering Tape & Reel packaging, add the suffix "T" to the end of the part number. For example: HX0068ANLT.

## Mechanicals

### H0068ANL, HX0068ANL

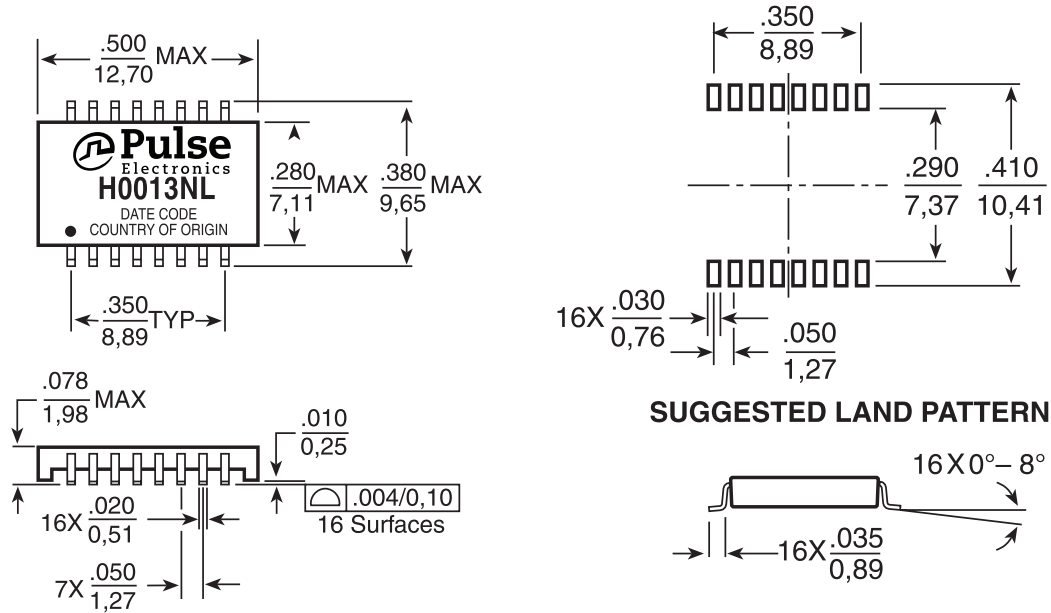


**Dimensions:**  $\frac{\text{Inches}}{\text{mm}}$  Unless otherwise specified, all tolerances are  $\pm \frac{.010}{0,25}$

**Weight** .....0.4 grams  
**Tape & Reel** .....2000/Reel  
**Tube** .....40/Tube

# 10/100 PC Card LAN Magnetics Modules

## H0013NL



**Dimensions:**

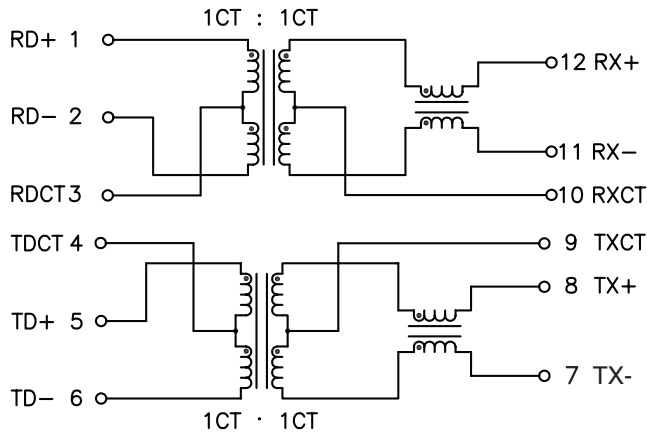
Inches	mm	Unless otherwise specified, all tolerances are ±

.010	
0,25	

**Weight** .....0.35 grams  
**Tape & Reel** .....2000/Reel  
**Tube** .....40/Tube

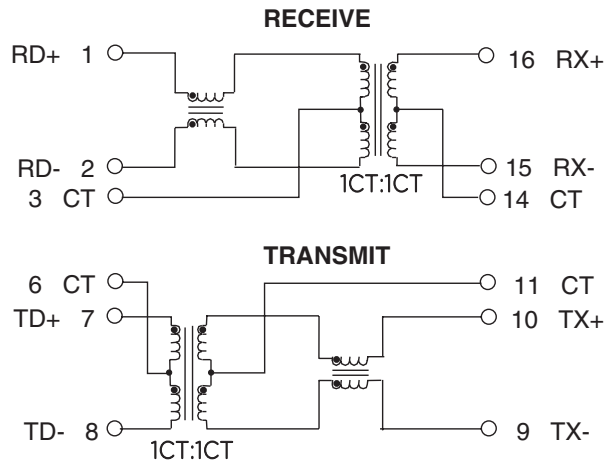
## Schematics

### H0068ANL, HX0068ANL



Note: This part supports AutoMDIX function, whereby TX and RX channels can be swapped to ease PCB layout

### H0013NL



## For More Information:

Americas - [prodinfonetworkamericas@pulseelectronics.com](mailto:prodinfonetworkamericas@pulseelectronics.com) | Europe - [comms-Apps-Europe@pulseelectronics.com](mailto:comms-Apps-Europe@pulseelectronics.com) | Asia - [prodinfonetworkapac@pulseelectronics.com](mailto:prodinfonetworkapac@pulseelectronics.com)

Performance warranty of products offered on this data sheet is limited to the parameters specified. Data is subject to change without notice. Other brand and product names mentioned herein may be trademarks or registered trademarks of their respective owners. © Copyright, 2019. Pulse Electronics, Inc. All rights reserved.