

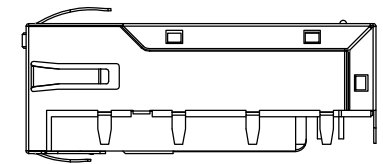
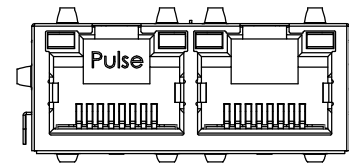
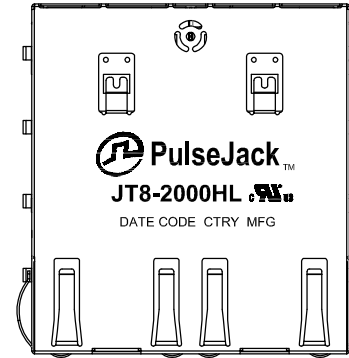


NOTES:

1. ROHS+HF COMPLIANT.
2. PLASTIC HOUSING: THERMOPLASTIC MATERIAL WITH FLAMMABILITY RATING UL 94V-0 OR BETTER.
3. CONTACTS PLATING: 50 MICRO-INCH GOLD PLATING.
4. SIGNAL SOLDER PINS: TIN PLATED.
5. METAL SHIELD: NICKEL PLATED COPPER.
6. JACK CAVITY CONFORMS TO FCC PART 68 SUBPART F.
7. STORAGE TEMPERATURE: -20°C TO +125°C
8. COMPLIANT TO J-STD:
  - A. J-STD-002: SOLDERABILITY AT 245°C DIP AND LOOK TEST
  - B. J-STD-020: LEVEL 1, NO MOISTURE SENSITIVE
  - C. J-STD-075: W2, 270°C MAXIMUM THROUGH WAVE SOLDER



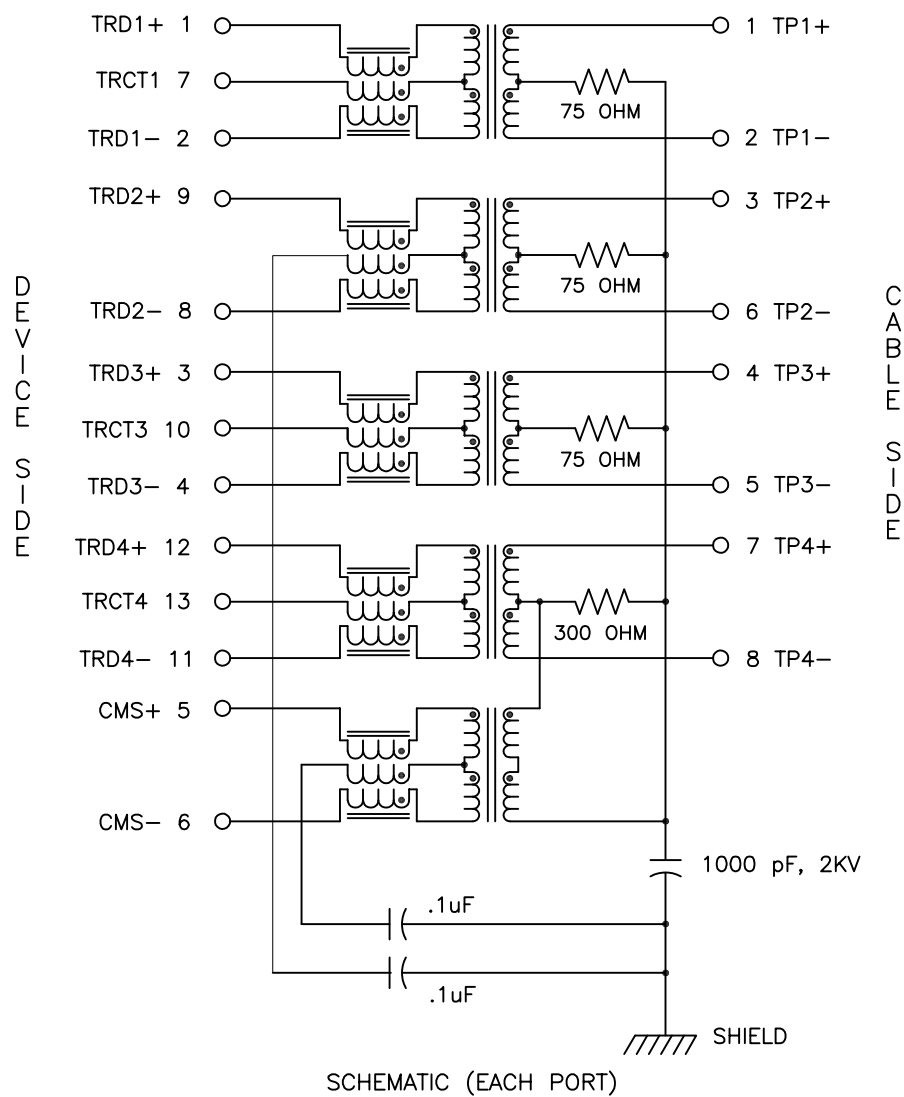
MAXIMUM SMT LED HEIGHT SHOULD NOT EXCEED 1.1mm.



FINAL OUTLINE

© Copyright, 2018. Pulse Electronics Corp. All rights reserved. Pulse confidential & proprietary. (04/03/18)

| PRODUCT DESCRIPTION       | TLA DRAWING   | PS DRAWING    | SHEET  | PART NO.   | DATASHEET REV. |
|---------------------------|---------------|---------------|--------|------------|----------------|
| CONN,RJ45,1X2,10GD,1:1,TY | JT8-2000HL-10 | PS-2839.202-B | 1 OF 5 | JT8-2000HL | F              |



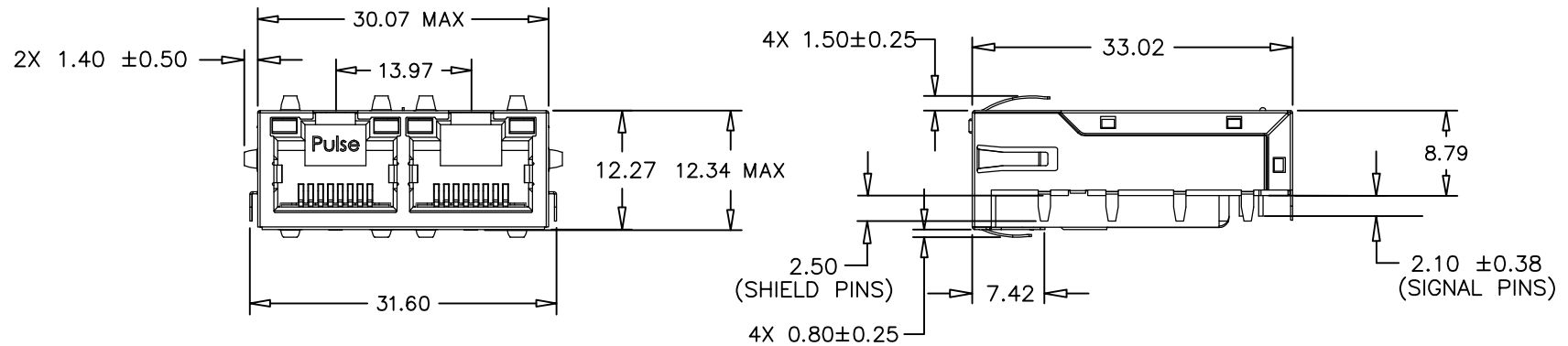
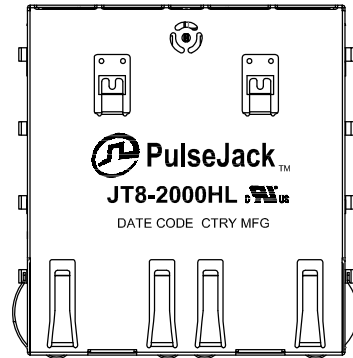
ELECTRICAL CHARACTERISTICS AT +25°C UNLESS OTHER SPECIFIED  
MEETS IEEE 802.3 SPECIFICATION

| PARAMETER                                    | SPECIFICATIONS               |                                       |             |
|--|------------------------------|---------------------------------------|-------------|
| OPERATING TEMP                               | 0°C TO +70°C                 |                                       |             |
| TURNS RATIO                                  | 1.00 ± 2%                    |                                       |             |
| POLARITY                                     | PER SCHEMATIC                |                                       |             |
| INSERTION LOSS (DATA CHANNELS)               | 100 KHz                      | 1-400 MHz                             |             |
|  | -3.0 dB MAX                  | -2.0 dB MAX (-1.4 dB TYP)             |             |
| INSERTION LOSS (CM SENSE CHANNELS)           | 3-500 MHz                    |                                       |             |
|  | -5.0 dB MAX (-4 dB TYP)      |                                       |             |
| RETURN LOSS (Z OUT = 100 OHM ± 1%)           | 1-100 MHz                    | 100 MHz-500 MHz                       |             |
|  | -22 dB MIN                   | -22 + 18.27*LOG <sub>10</sub> (f/100) |             |
| INDUCTANCE (OCL)                             | 180 uH MIN @ 100 kHz, 100 mV |                                       |             |
| CROSSTALK, ADJACENT CHANNELS                 | 1-100 MHz                    | 100-500 MHz                           |             |
|  | -28 dB MIN                   | -19 dB MIN                            |             |
| COMMON MODE REJECTION RATIO                  | 1-100 MHz                    | 100-300 MHz                           | 300-500 MHz |
|  | -35 dB MIN                   | -30 dB MIN                            | -25 dB MIN  |
|  |                              |                                       |             |
| COMMON TO DIFFERENTIAL MODE REJECTION (CDMR) | 1-250 MHz                    |                                       | 250-500 MHz |
|  | -30 dB MIN                   |                                       | -22 dB MIN  |
| INPUT - OUTPUT ISOLATION                     | 2250 VDC MIN @ 60 SECONDS    |                                       |             |

NOTE: f IS FREQUENCY IN MHZ.

© Copyright, 2018. Pulse Electronics Corp. All rights reserved. Pulse confidential & proprietary. (04/03/18)

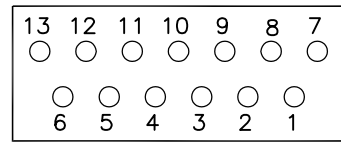
| PRODUCT DESCRIPTION       | TLA DRAWING   | PS DRAWING    | SHEET  | PART NO.   | DATASHEET REV. |
|---------------------------|---------------|---------------|--------|------------|----------------|
| CONN,RJ45,1X2,10GD,1:1,1Y | JT8-2000HL-10 | PS-2839.202-B | 2 OF 5 | JT8-2000HL | F              |



ALL DIMENSION ARE SHOWN IN MILLIMETERS.  
 UNLESS OTHERWISE SPECIFIED,  
 THE FOLLOWING TOLERANCES APPLY:  
 X.XX = ±0.25

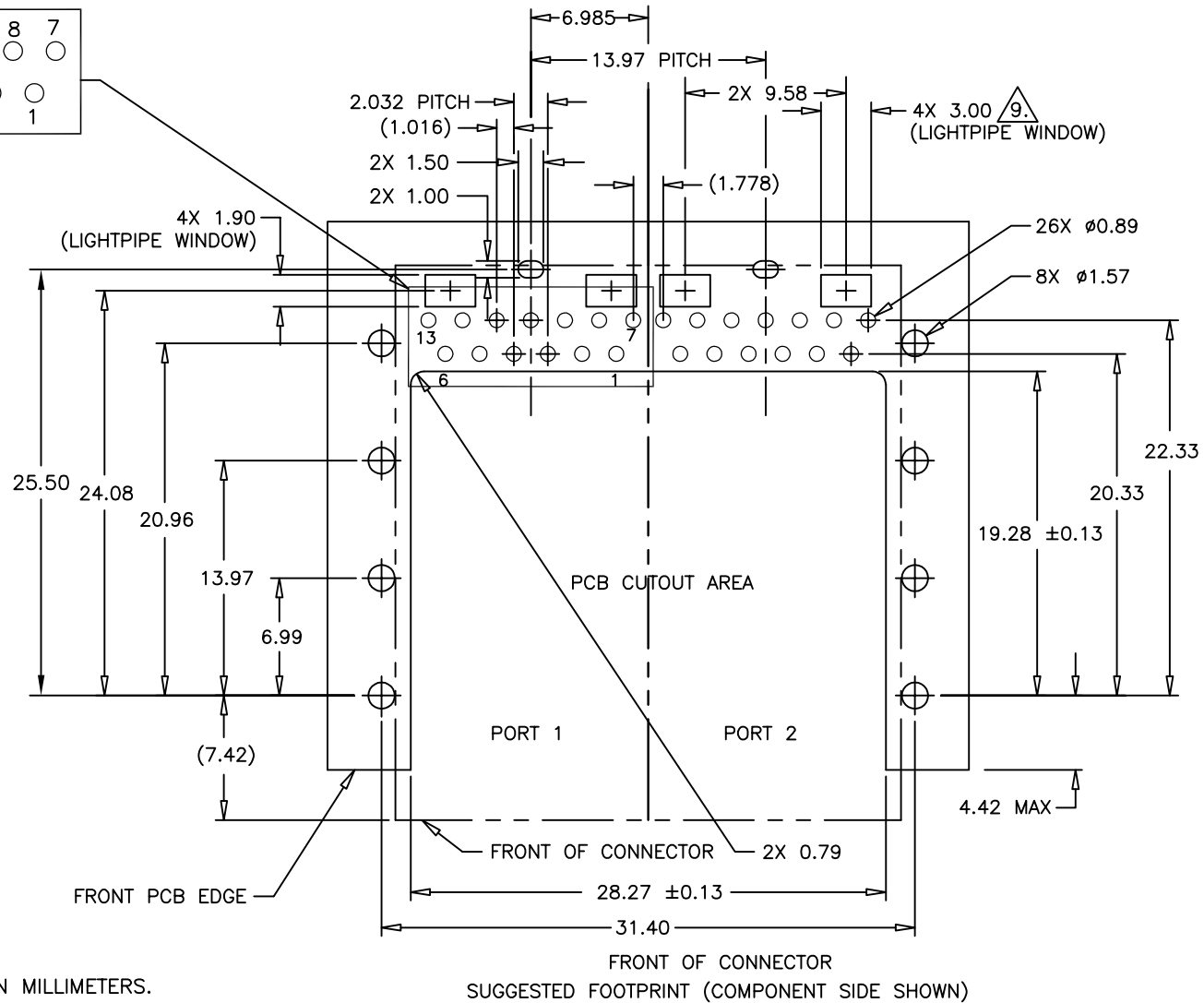
© Copyright, 2018. Pulse Electronics Corp. All rights reserved. Pulse confidential & proprietary. (04/03/18)

| PRODUCT DESCRIPTION       | TLA DRAWING   | PS DRAWING    | SHEET  | PART NO.   | DATASHEET REV. |
|---------------------------|---------------|---------------|--------|------------|----------------|
| CONN,RJ45,1X2,10GD,1:1,TY | JT8-2000HL-10 | PS-2839.202-B | 3 OF 5 | JT8-2000HL | F              |



|    |       |
|----|-------|
| 1  | TRD1+ |
| 2  | TRD1- |
| 3  | TRD3+ |
| 4  | TRD3- |
| 5  | CMS+  |
| 6  | CMS-  |
| 7  | TRCT1 |
| 8  | TRD2- |
| 9  | TRD2+ |
| 10 | TRCT3 |
| 11 | TRD4- |
| 12 | TRD4+ |
| 13 | TRCT4 |

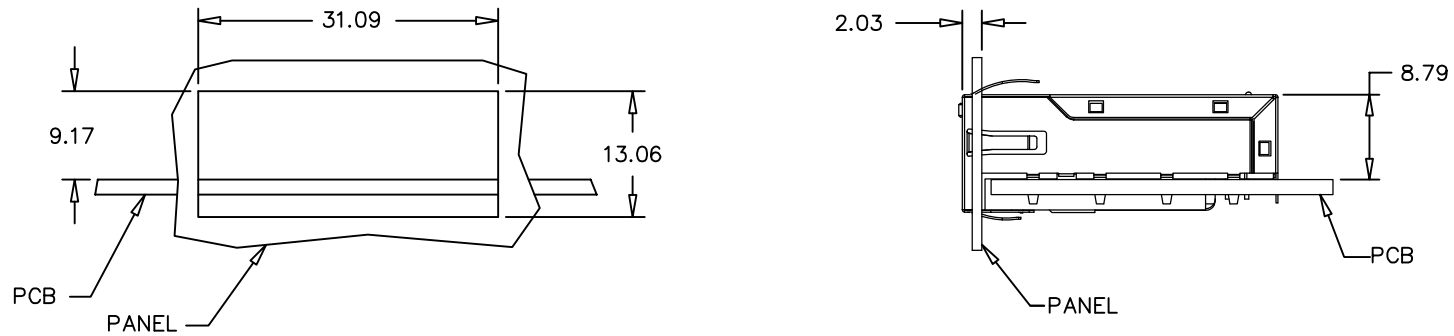
PIN ASSIGNMENT  
(EACH PORT)



ALL DIMENSION ARE SHOWN IN MILLIMETERS.  
UNLESS OTHERWISE SPECIFIED,  
THE FOLLOWING TOLERANCES APPLY:  
X.XX = ±0.05

© Copyright, 2018. Pulse Electronics Corp. All rights reserved. Pulse confidential & proprietary. (04/03/18)

|                           |               |               |        |            |                |
|---------------------------|---------------|---------------|--------|------------|----------------|
| PRODUCT DESCRIPTION       | TLA DRAWING   | PS DRAWING    | SHEET  | PART NO.   | DATASHEET REV. |
| CONN,RJ45,1X2,10GD,1:1,TY | JT8-2000HL-10 | PS-2839.202-B | 4 OF 5 | JT8-2000HL | F              |



SUGGESTED PANEL CUTOUT

ALL DIMENSION ARE SHOWN IN MILLIMETERS.  
UNLESS OTHERWISE SPECIFIED,  
THE FOLLOWING TOLERANCES APPLY:  
X.XX =  $\pm 0.25$

© Copyright, 2018. Pulse Electronics Corp. All rights reserved. Pulse confidential & proprietary. (04/03/18)

| PRODUCT DESCRIPTION       | TLA DRAWING   | PS DRAWING    | SHEET  | PART NO.   | DATASHEET REV. |
|---------------------------|---------------|---------------|--------|------------|----------------|
| CONN,RJ45,1X2,10GD,1:1,1Y | JT8-2000HL-10 | PS-2839.202-B | 5 OF 5 | JT8-2000HL | F              |