



**pui**  
**audio**™ inc  
a projects unlimited company

## AS01708MR-SC-R 17mm Speaker

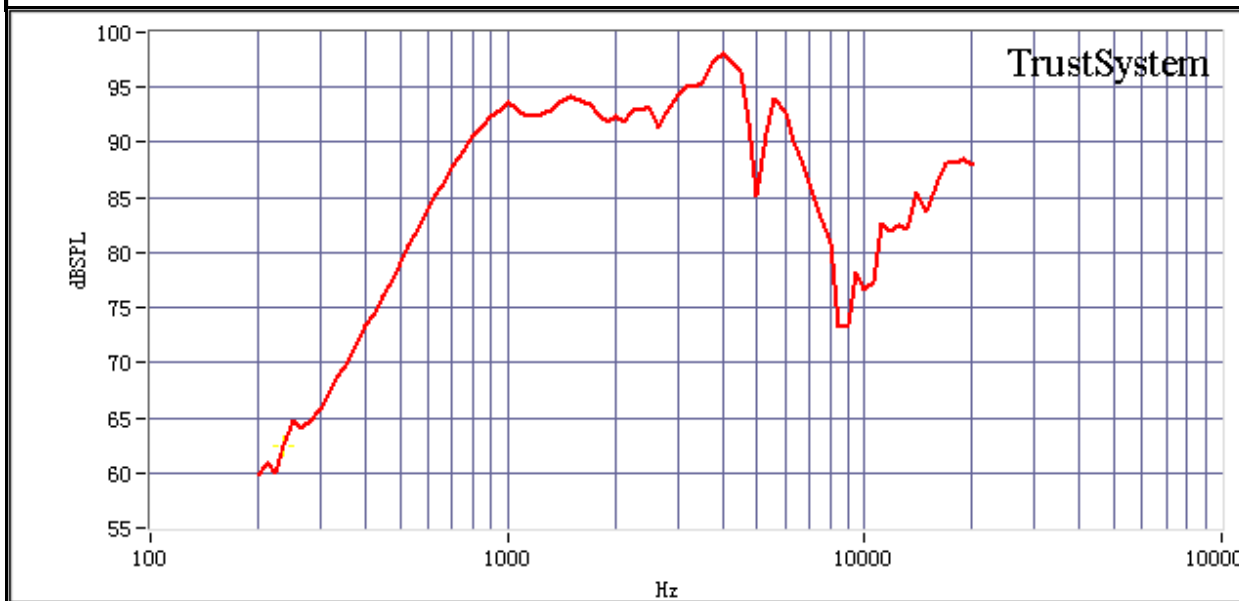
3541 Stop Eight Road • Dayton, Ohio 45414

### Product Overview

- 17mm diameter speaker with Neodymium magnet for 88 dB sensitivity
- 0.3W continuous, 0.5 maximum power handling and 8Ω impedance
- Mylar diaphragm for moisture resistance and spring contacts for quick connection
- Less than 7 mm thick for space-limited applications

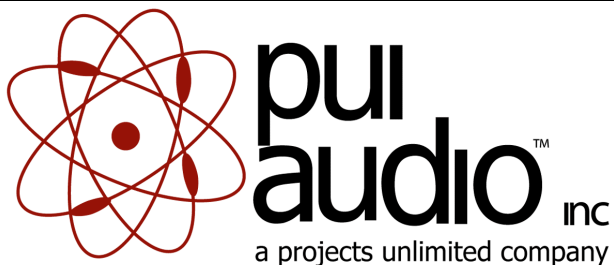


Frequency Response (0.1W @ 10 cm)



An Initiative of the EICC and GeSI

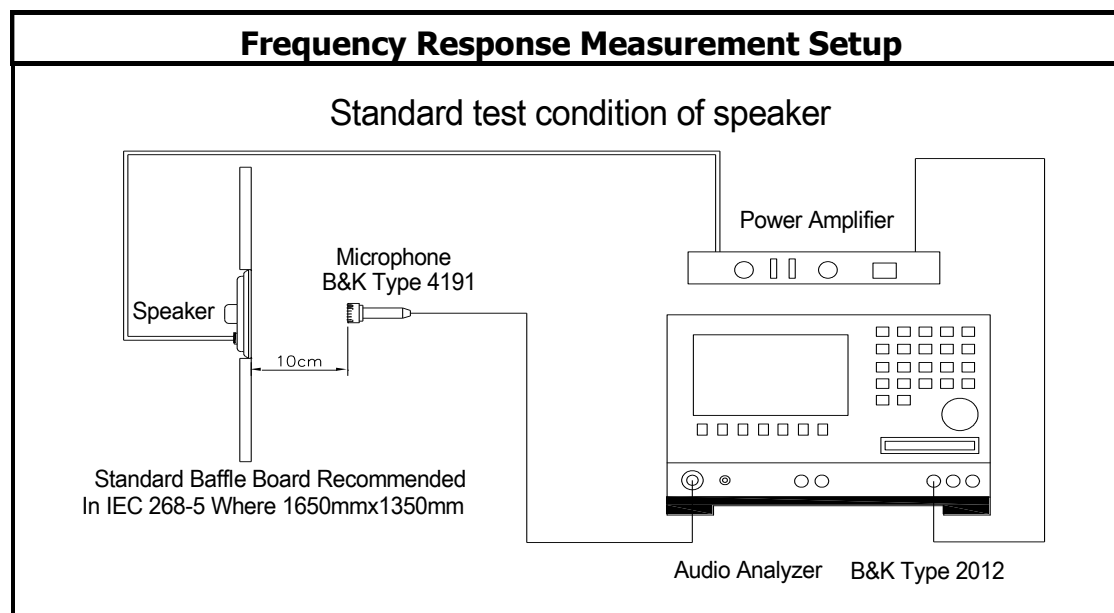




# AS01708MR-SC-R 17mm Speaker

Mechanical and Environment Testing	
Test Description	Test Condition
High Temperature	60°C with random humidity for 96 hours
Low Temperature	-30°C with random humidity for 96 hours
Humidity	40°C with 90% relative humidity for 96 hours
Vibration	1.5 mm movement modulated at 10 to 55 Hz for 2 hours each axis
Drop Test	75cm free fall onto 20 mm thick board, 6 cycles
Temperature Cycle Test	-30°C to 60°C, 5 cycles

After tests, speaker shall rest for 1 hours. SPL shall not deviate  $\pm 3$  dB from pre-test measurement.



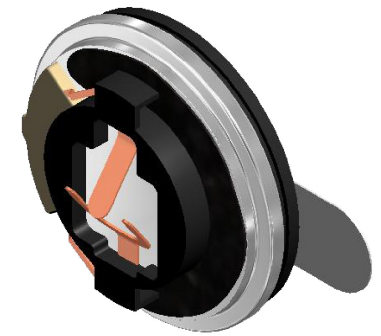
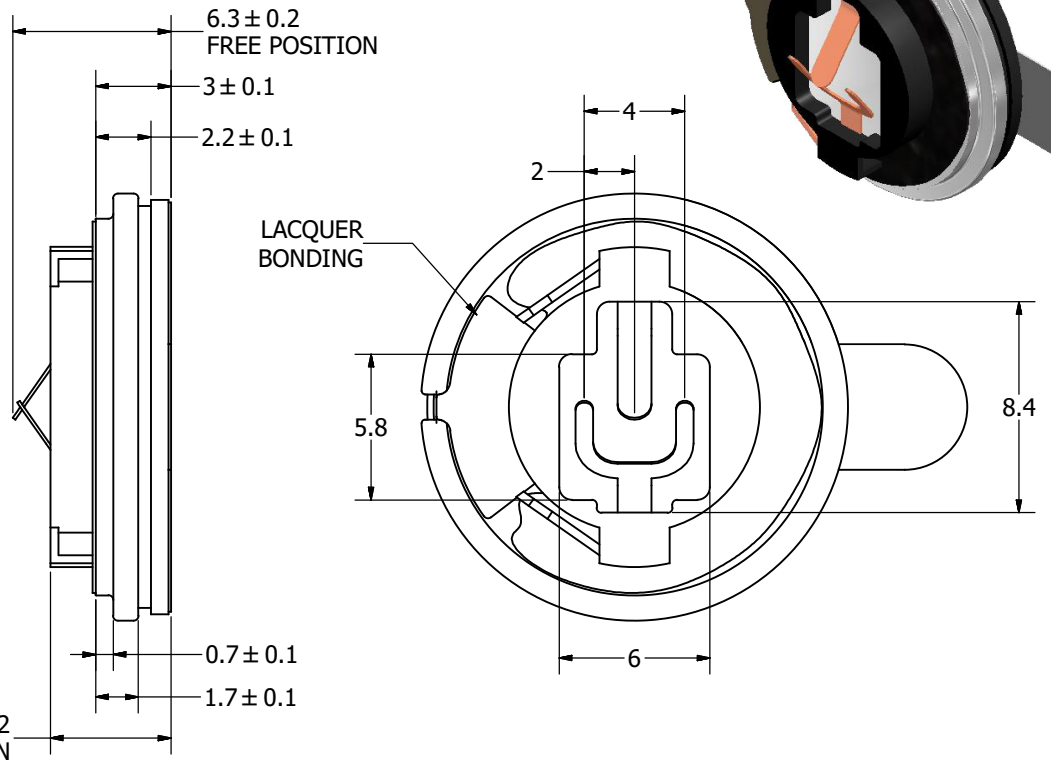
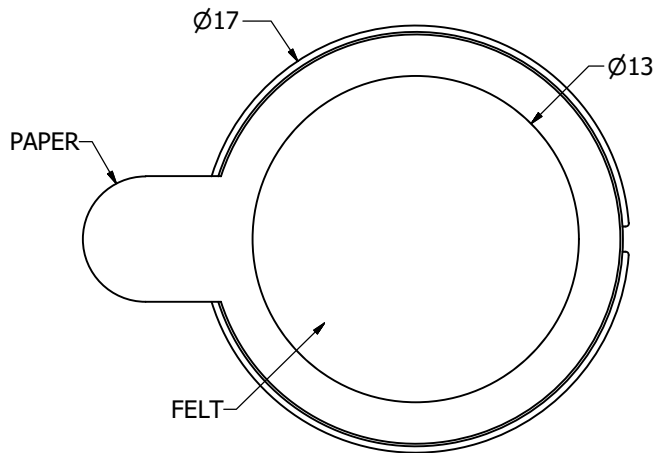
# SPECIFICATIONS

PARAMETERS	VALUES	UNITS
RATED INPUT POWER	0.3	W
MAX INPUT POWER	0.5	W
IMPEDANCE	8 ± 15%	OHM
OUTPUT SPL @ 0.1W/0.1M (AT 0.8, 1.0, 1.2, 1.5, kHz)	88 ± 3	dBa
DISTORTION (MAX.)	5%	-
RESONANT FREQUENCY	750 ± 20%	Hz
FREQUENCY RANGE	750 ~ 5000	Hz
HOUSING MATERIAL	METAL	-
CONE MATERIAL	MYLAR	-
MAGNET MATERIAL	Nd-Fe-B	-
OPERATING TEMPERATURE	-30 ~ +60	°C
WEIGHT	1.6	grams

THIS DOCUMENT CONTAINS DATA PROPRIETARY TO PROJECTS UNLIMITED, INC. ANY USE OR REPRODUCTION, IN ANY FORM, WITHOUT PRIOR WRITTEN PERMISSION OF PROJECTS UNLIMITED, INC. IS PROHIBITED.  
©2003, Projects Unlimited Inc.

# REVISION HISTORY

LTR	DESCRIPTION	DATE	APPROVED
-	RELEASED FROM ENGINEERING	5/15/2006	
A	ADDED OUTSIDE DIAMETER	3/16/2007	R.W.
B	REVISED TO INVENTOR 3-D DRAWING TEMPLATE	4/8/2008	B.R.
C	REVISED CONTACTS DIMENSIONS	5/17/2013	B.R.
D	REVISED OPERATING TEMPERATURE	12/3/2013	M.L.



### NOTES:

1. ALL DIMENSIONS ARE IN MILLIMETERS.
2. SPECIFICATIONS SUBJECT TO CHANGE OR WITHDRAWAL WITHOUT NOTICE.
3. THIS PART IS RoHS 2011/65/EU COMPLIANT.

UNLESS OTHERWISE SPECIFIED: DIMENSIONS ARE IN MILLIMETERS, TOLERANCES ARE ±0.5 AND ANGLES ARE ±3°.	SIZE <b>A3</b>	Designed by	Date	Checked by	Date	Approved by	Date	Drawn Date
		J.D.	5/15/2006	E.P.	5/16/2006	B.R.	5/16/2006	4/8/2008
		AS01708MR-SC-R		Speaker		Edition	Sheet	
AS01708MR-SC-R.idw		 <b>pui audio</b> a projects unlimited company		-	1 / 1			