

C4036NL

RF SPLITTER, 2-WAY
5-1000 MHz
0-DEG
IMPEDANCE = 75 OHMS
SURFACE MOUNT

ELECTRICAL SPECIFICATIONS: @ 25°C

INSERTION LOSS:

FREQUENCY	
5-40 MHz	-4.0 dB MAX
41-500 MHz	-3.7 dB MAX
501-1000 MHz	-4.0 dB MAX

INPUT RETURN LOSS:

FREQUENCY	
5-1000 MHz	-16.0 dB MIN

OUTPUT RETURN LOSS:

FREQUENCY	
5-1000 MHz	-16.0 dB MIN

ISOLATION: (SAMPLE ONLY)

FREQUENCY	
5-400 MHz	-19 dB MIN
401-500 MHz	-16 dB MIN
501-1000 MHz	-10 dB MIN

AMPLITUDE BALANCE: (SAMPLE ONLY)

FREQUENCY	
5-40 MHz	-0.6 dB MAX
41-400 MHz	-0.4 dB MAX
401-1000 MHz	-0.6 dB MAX

PHASE IMBALANCE: (SAMPLE ONLY)

FREQUENCY	
5-500 MHz	3° MAX
501-1000 MHz	5° MAX

NOTES: UNLESS OTHERWISE SPECIFIED

1. OPERATING TEMPERATURE: 0°C TO +70°C
2. STORAGE TEMPERATURE: -20°C TO +125°C
3. JEDEC MOISTURE: LEVEL 1.
4. DIMENSIONS ARE IN INCHES WITH THE FOLLOWING TOLERANCE:
.XX= ±.02
.XXX= ±.010
5. OPTIONAL TAPE & REEL PACKAGING CAN BE ORDERED BY ADDING A "T" SUFFIX TO THE PART NUMBER. ie: C4036NLT
6. REVISION LEVEL M10,M11...MX IS FOR A RELEASED PRODUCTS.
7. ROHS COMPLIANT



© Copyright, 2013. Pulse Electronics Corp. All rights reserved. Drawing specifications subject to change without notice. (05/27/13)

PULSE CONFIDENTIAL
&
PROPRIETARY

PRODUCT SPECIFICATION:

SPLTR, 2-WAY, 0-DEG, SPLTR; 5-1000MHz, UNTERM

DWG. NO./ PART NO.

C4036NL

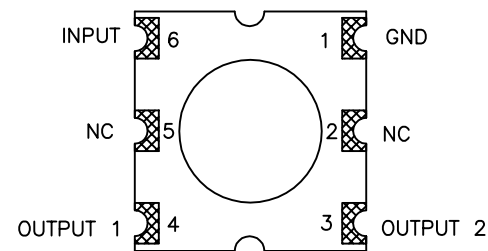
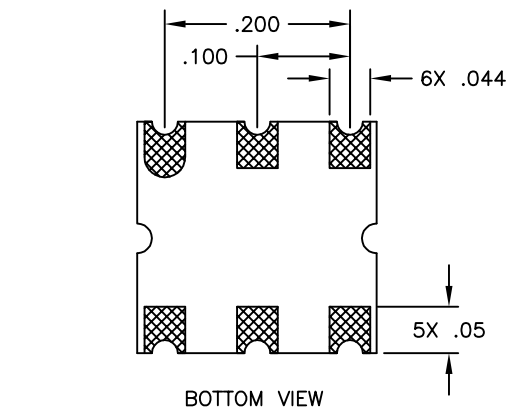
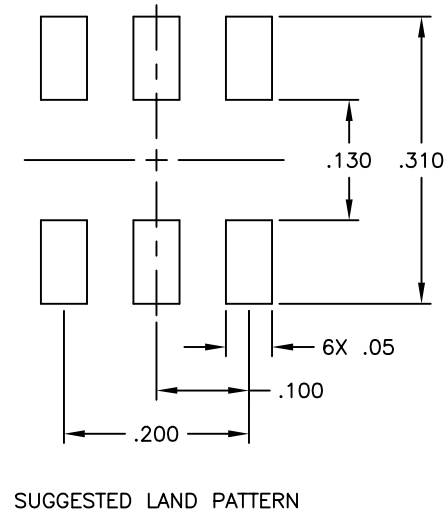
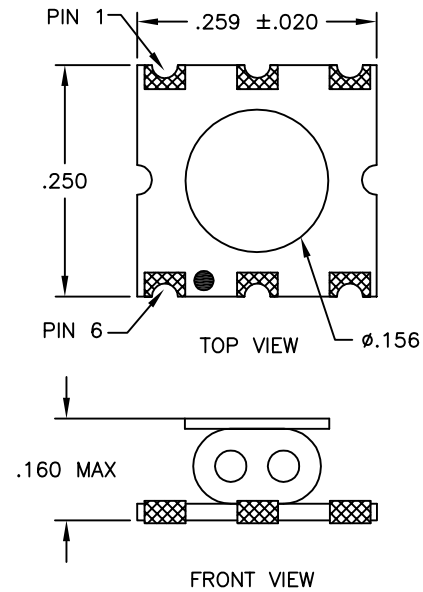
SHEET:

1

REV.

M13

MECHANICAL SPECIFICATIONS:



© Copyright, 2013. Pulse Electronics Corp. All rights reserved. Drawing specifications subject to change without notice. (05/27/13)

PULSE CONFIDENTIAL
&
PROPRIETARY

PRODUCT SPECIFICATION:
SPLTR, 2-WAY, 0-DEG, SPLTR; 5-1000MHz, UNTERM

DWG. NO./ PART NO.	SHEET:	REV.
C4036NL	2	M13