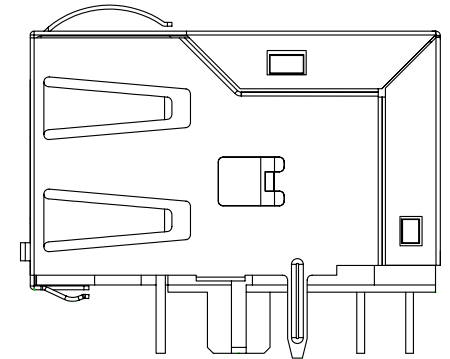
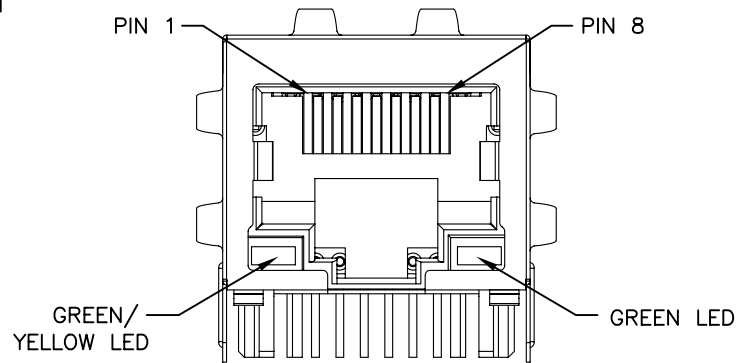


NOTES:

1. ROHS COMPLIANT
2. PLASTIC HOUSING: THERMOPLASTIC MATERIAL WITH FLAMMABILITY RATING UL 94V-0 OR BETTER.
3. CONTACTS PLATING: 50 MICRO-INCH GOLD PLATING.
4. CONTACTS BASE MATERIAL: PHOSPHOR BRONZE
5. UNDER PLATING: 30-50μ INCHES NICKEL
6. SOLDER TAIL PLATING : 150-300 μINCHES 100% TIN, MATTE FINISH.
7. METAL SHIELD: NICKEL PLATING ON COPPER ALLOY.
8. JACK CAVITY CONFORMS TO FCC PART 68 SUBPART.
9. PCB PLATING: EG
10. STORAGE TEMPERATURE: -50°C TO +125°C
11. COMPLIANCE TO J-STD:
 - A. J-STD-002: SOLDERABILITY AT 245°C DIP AND LOOK TEST
 - B. J-STD-020: LEVEL 1, NO MOISTURE SENSITIVE
 - C. J-STD-075: W2, 270°C MAXIMUM THROUGH WAVE SOLDER

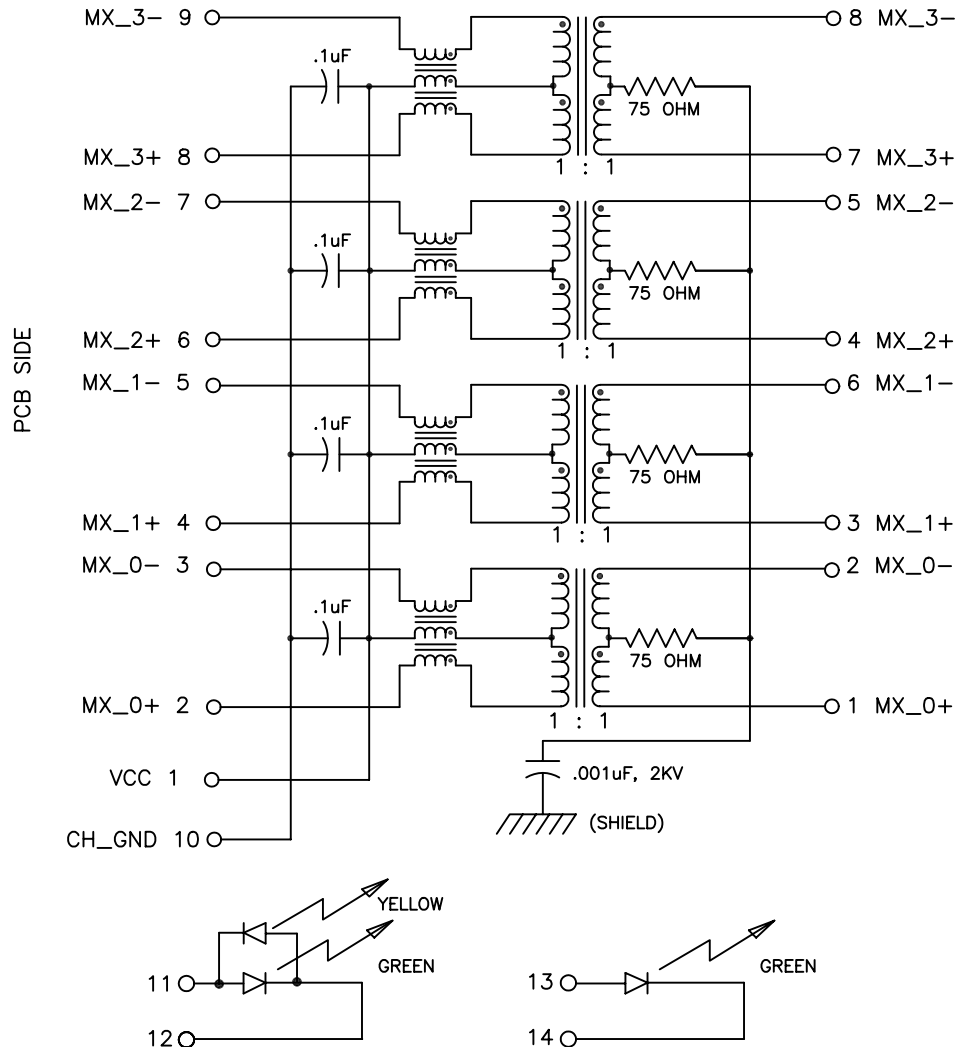


FINAL OUTLINE

© Copyright, 2014. Pulse Electronics Corp. All rights reserved. Pulse confidential & proprietary. (05/13/14)

PRODUCT DESCRIPTION	TLA DRAWING	PS DRAWING	SHEET	PART NO.	DATASHEET REV.
CONN,RJ45,1X1,1GD,1:1,TY	JXKM-0013NL-10	PS-2582.002-A	1 OF 4	JXKM-0013NL	A

ELECTRICAL CHARACTERISTICS AT +25°C UNLESS OTHER SPECIFIED
MEETS IEEE 802.3 SPECIFICATION



SCHEMATIC

PARAMETER	SPECIFICATION				
OPERATING TEMP	-40°C ~ +85°C				
TURNS RATIO	1.00 ± 2%				
POLARITY	PER SCHEMATIC				
INSERTION LOSS	100 KHz	1 MHz	60 MHz	80 MHz	100 MHz
	-1.0 dB MAX	-0.6 dB MAX	-0.8 dB MAX	-1.0 dB MAX	-1.2 dB MAX
RETURN LOSS (Z OUT = 100 OHM ±15%)	1 MHz	40 MHz	60 MHz	80 MHz	100 MHz
	-20 dB MIN	-18 dB MIN	-14.4 dB MIN	-12 dB MIN	-10 dB MIN
INDUCTANCE (OCL) (MEDIA SIDE, -40°C~+85°C)	350 uH MIN (MEASURED AT 100 KHz, 100 mVRMS AND WITH 8 mA DC BIAS)				
CROSSTALK, ADJACENT CHANNELS	1 MHz	10 MHz	30 MHz	60 MHz	100 MHz
	-50 dB MIN	-55 dB MIN	-44 dB MIN	-37 dB MIN	-33 dB MIN
COMMON MODE REJECTION RATIO	2 MHz	30 MHz	60 MHz	100 MHz	200 MHz
	-50 dB MIN	-31 dB MIN	-25 dB MIN	-21 dB MIN	-15 dB MIN
DC RESISTANCE, 1/2 WINDING	.65 OHMS MAX				
DC RESISTANCE IMBALANCE	±.065 OHMS MAX (CENTER TAP SYMMETRY)				
INPUT - OUTPUT ISOLATION	1500 VRMS MIN @ 60 SECONDS				

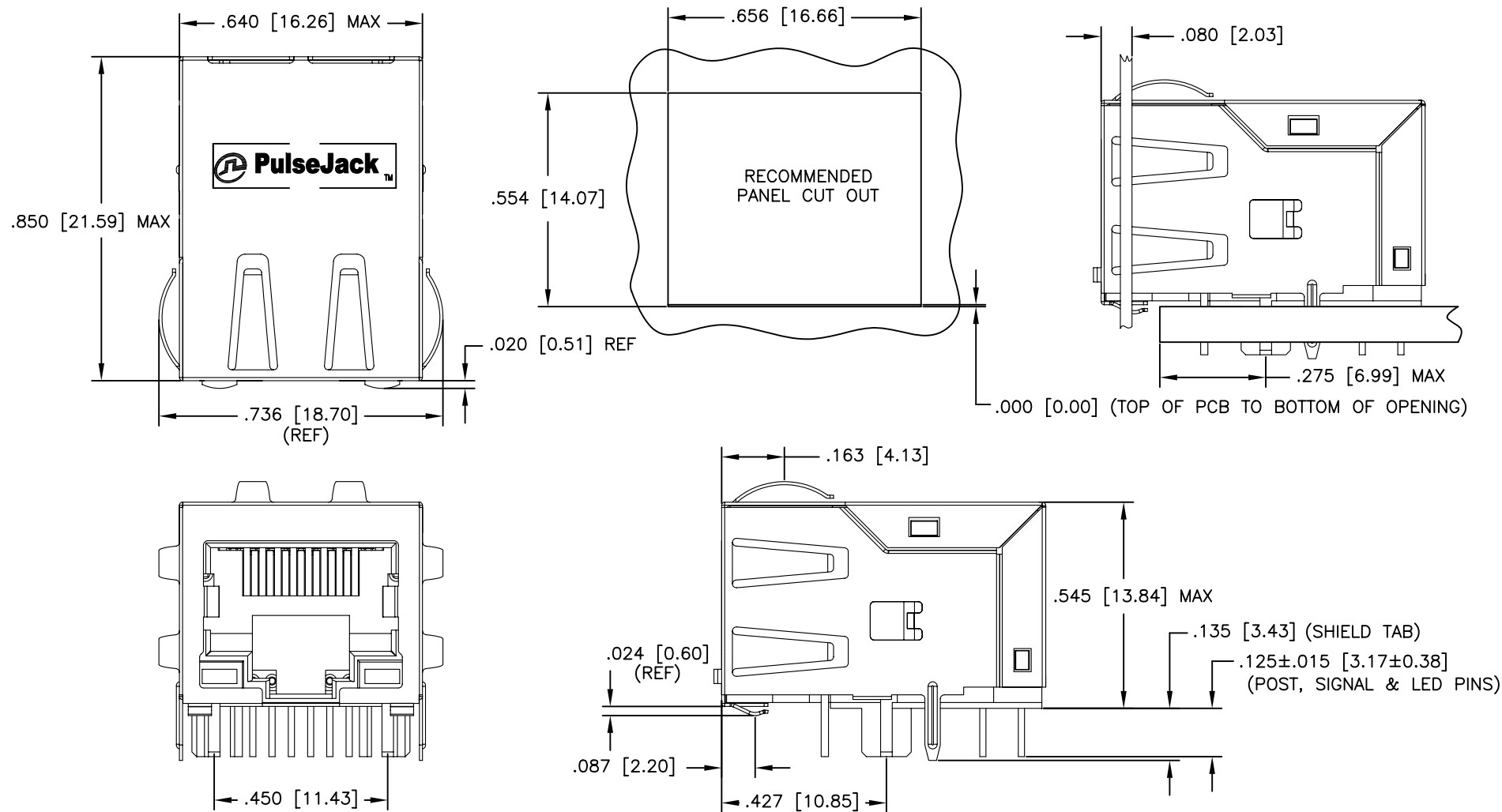
NOTE: f IS FREQUENCY IN MHz.

EMMITTED COLOR	GREEN	YELLOW
WAVELENGTH (nm)	570 nM	586 nM
BRIGHTNESS (mCD)	6 TYP. @ 20mA	8 TO 12 TYP. @ 20mA
VIEWING ANGLE	120°	120°
POWER DISSIPATION (Pd)	85 mW MAX	85 mW MAX
DC FORWARD CURRENT	120 mA MAX	80 mA MAX
REVERSE VOLTAGE (Vr)	5.0 V MAX	5.0 V MAX

NOTE: PER VENDOR'S SPECIFICATIONS

© Copyright, 2014. Pulse Electronics Corp. All rights reserved. Pulse confidential & proprietary. (05/13/14)

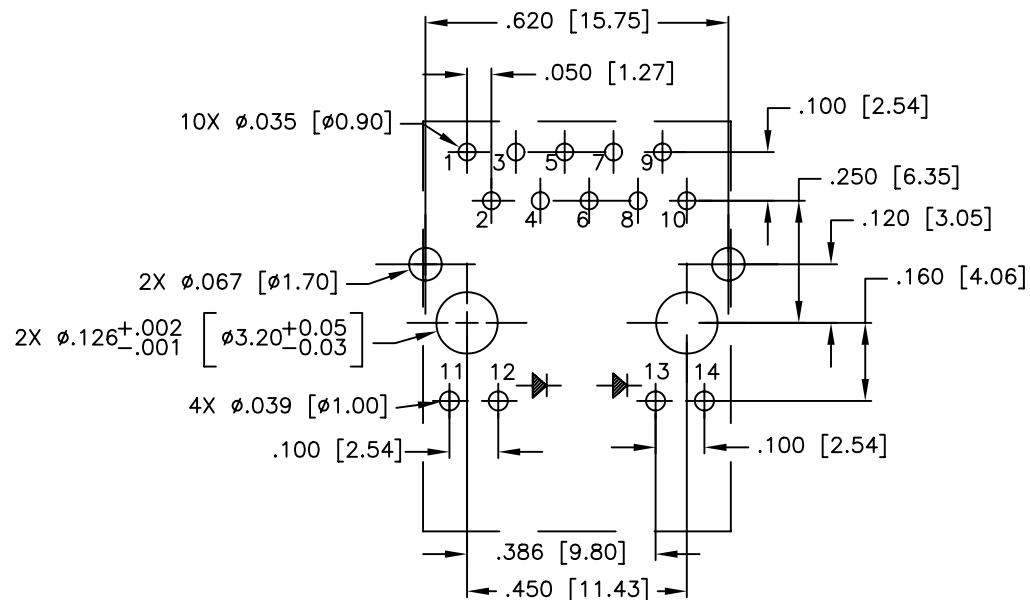
PRODUCT DESCRIPTION	TLA DRAWING	PS DRAWING	SHEET	PART NO.	DATASHEET REV.
CONN,RJ45,1X1,1GD,1:1,TY	JXKM-0013NL-10	PS-2582.002-A	2 OF 4	JXKM-0013NL	A



DIMENSIONS ARE IN INCHES [MILLIMETERS] WITH THE FOLLOWING TOLERANCES: [MILLIMETERS] ARE FOR REFERENCE ONLY.
 .XX= ± 0.01 [± 0.25]
 .XXX= ± 0.005 [± 0.13]

© Copyright, 2014. Pulse Electronics Corp. All rights reserved. Pulse confidential & proprietary. (05/13/14)

PRODUCT DESCRIPTION	TLA DRAWING	PS DRAWING	SHEET	PART NO.	DATASHEET REV.
CONN,RJ45,1X1,1GD,1:1,TY	JXKM-0013NL-10	PS-2582.002-A	3 OF 4	JXKM-0013NL	A



SUGGESTED FOOTPRINT (COMPONENT SIDE SHOWN)

DIMENSIONS ARE IN INCHES [MILLIMETERS] WITH THE FOLLOWING
TOLERANCES: [MILLIMETERS] ARE FOR REFERENCE ONLY.
.XX= ±.01 [±0.25]
.XXX= ±.005 [±0.13]

© Copyright, 2014. Pulse Electronics Corp. All rights reserved. Pulse confidential & proprietary. (05/13/14)

PRODUCT DESCRIPTION	TLA DRAWING	PS DRAWING	SHEET	PART NO.	DATASHEET REV.
CONN,RJ45,1X1,1GD,1:1,TY	JXKM-0013NL-10	PS-2582.002-A	4 OF 4	JXKM-0013NL	A