

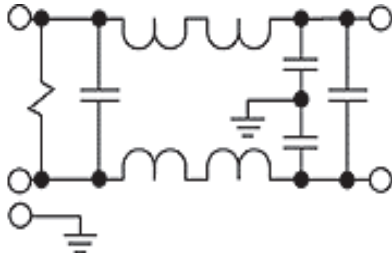
SW

WIDE BAND HIGH PERFORMANCE EMI FILTER

FEATURES

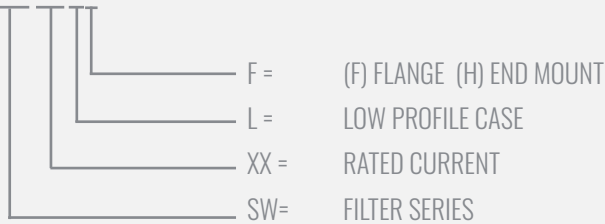
- » **Rated currents** include **3A, 5A, 10A, 20A, 30A, 45A and 60A**
- » Available with **QD** (tabs), **S** (studs) and **C** (connectors) option
- » End Mount, Low Profile, Connector & Flange Mount Available
- » Agency Approved to UL E78081, CSA LR53652
- » Wide Band Design
- » Y-cap value can be adjusted to fit specification

ELECTRICAL SCHEMATIC

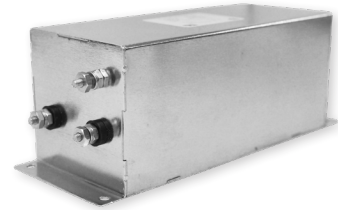


HOW TO ORDER

SW XX LF



NOTE: USE ANY COMBINATION OF -X (AMPS) WITH ANY -Y RATINGS
E.G. **SW5L** (5 AMPS, LOW PROFILE CASE)



SPECIFICATIONS

OPERATING FREQUENCY	50/60Hz
MAX. OPERATING VOLTAGE	250VAC +10%
TERMINALS (-T)	QD: 0.25 TABS STUDS: 8-32 (1-5A), 10-32(10-30A)
TYP. WEIGHT, LBS (KG)	0.83 - 10.5 (0.37 - 4.76)
<hr/>	
LEAKAGE CURRENT	
@ 250 VAC 60 Hz	0 - 3.5 mA Max.
<hr/>	
HIPOT RATINGS	
LINE TO GROUND	2200 VDC - 2700 VDC

TYPICAL APPLICATIONS

- ✓ Household Appliances
- ✓ Industrial Equipment
- ✓ Power Supplies
- ✓ Consumer Electronics
- ✓ Office Automation Equipment
- ✓ Data Processing Systems

SW

WIDE BAND HIGH PERFORMANCE EMI FILTER

MODEL NO.	RATED CURRENT (A) @ 40° C	Y-CAP, nF	LEAKAGE CURRENT, mA @ 250V AC, 60 Hz	TERMINAL OPTIONS			MAX. DIMENSIONS" (MM)		
				(QD) INPUT/ OUTPUT	(S) INPUT/ OUTPUT	(C) INPUT/ OUTPUT	WIDTH	(LENGTH)	HEIGHT
SW3C	3	2x.0001µF/2x .0047µF/2x .0047µF/2x.001µF	2.4			✓	2.15"	3.47"	1.75"
SW3C S	3	2x.0001µF/2x .0047µF/2x .0047µF/2x.001µF	2.4			✓	2.15"	3.5"	1.75"
SW3	3	2x.0001µF/2x .0047µF/2x .0047µF/2x.001µF	*	✓			2.15"	4.07"	1.78"
SW3 G	3	2x.0001µF/2x .0047µF/2x .0047µF/2x.001µF	2.4	✓			2.15"	4.07"	1.78"
SW3R	3	2x.0001µF/2x .0047µF/2x .0047µF/2x.001µF	2.4	✓			*	*	*
SW3 S	3	2x.0001µF/2x .0047µF/2x .0047µF/2x.001µF	2.4		✓		2.15"	4.13"	1.78"
SW3 SG	3	2x.0001µF/2x .0047µF/2x .0047µF/2x.001µF	2.4		✓		*	*	*
SW5C	5	2x.0001µF/2x .0047µF/2x .0047µF/2x.001µF	2.4			✓	2"	6.19"	1.5"
SW5 F	5	2x.0001µF/2x .0047µF/2x .0047µF/2x.001µF	2.4	✓			2"	4.95"	2"
SW5 FG	5	2x.0001µF/2x .0047µF/2x .0047µF/2x.001µF	2.4	✓			*	*	*
SW5 H	5	2x.0001µF/2x .0047µF/2x .0047µF/2x.001µF	2.4	✓			2"	4.95"	2"
SW5L	5	2x.0001µF/2x .0047µF/2x .0047µF/2x.001µF	2.4	✓			2"	6.44"	1.5"
SW5 FS	5	2x.0001µF/2x .0047µF/2x .0047µF/2x.001µF	2.4		✓		2"	5.01"	2"
SW5L S	5	2x.0001µF/2x .0047µF/2x .0047µF/2x.001µF	2.4		✓		*	*	*
SW5	5	*	2.4	*	*	*	*	*	*
SW5 S	5	*	*		✓		*	*	*
SW10C	10	2x.0001µF/2x .0047µF/2x .0047µF/2x.001µF	2.4			✓	2.75"	8.76"	1.75"

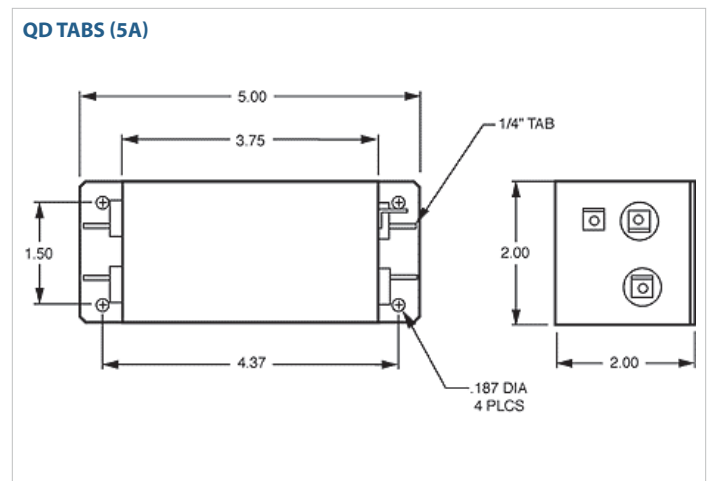
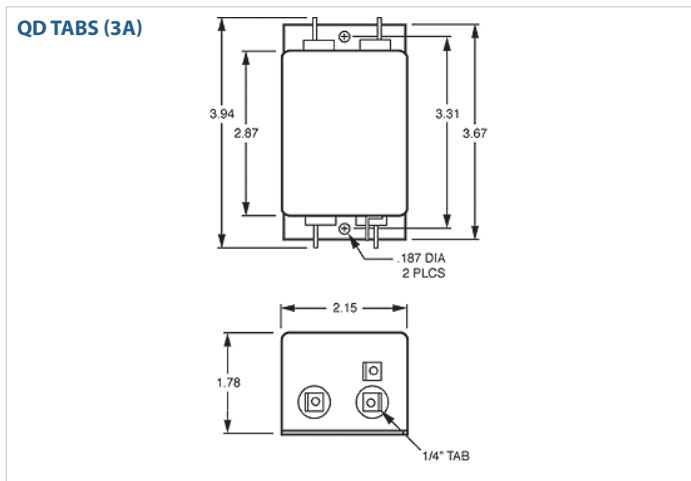
SW

WIDE BAND HIGH PERFORMANCE EMI FILTER

MODEL NO.	RATED CURRENT (A) @ 40° C	Y-CAP, nF	LEAKAGE CURRENT, mA @ 250V AC, 60 Hz	TERMINAL OPTIONS			MAX. DIMENSIONS" (MM)		
				(QD) INPUT/ OUTPUT	(S) INPUT/ OUTPUT	(C) INPUT/ OUTPUT	WIDTH	(LENGTH)	HEIGHT
SW10L	10	2x.0001μF/2x .0047μF/2x .0047μF/2x.001μF	2.4		✓		2.75"	8.76"	1.75"
SW10	10	*	2.4	*	*	*	*	*	*
SW20 F	20	2x.0001μF/2x .0068μF/2x .0068μF/2x.001μF	2.4		✓		3"	8.26"	3"
SW20 H	20	2x.0001μF/2x .0068μF/2x .0068μF/2x.001μF	2.4		✓		3"	8.26"	3"
SW20	20	Data Not Available	2.4	*	*	*	*	*	*
SW30	30	2x.0001μF/2x .0068μF/2x .0068μF/2x.001μF	2.4		✓		4"	8.66"	4"
SW30 F	30	2x.0001μF/2x .0068μF/2x .0068μF/2x.001μF	2.4		✓		4"	8.86"	4"
SW30 H	30	2x.0001μF/2x .0068μF/2x .0068μF/2x.001μF	2.4		✓		4"	8.86"	4"
SW45	45	*	3.5	*	*	*	*	*	*
SW60	60	*	3.5	*	*	*	*	*	*

*Contact factory for part data.

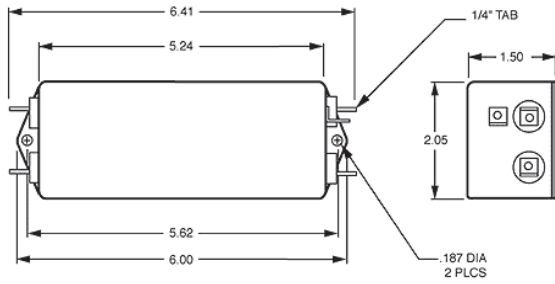
SW MECHANICAL OUTLINES (MM)



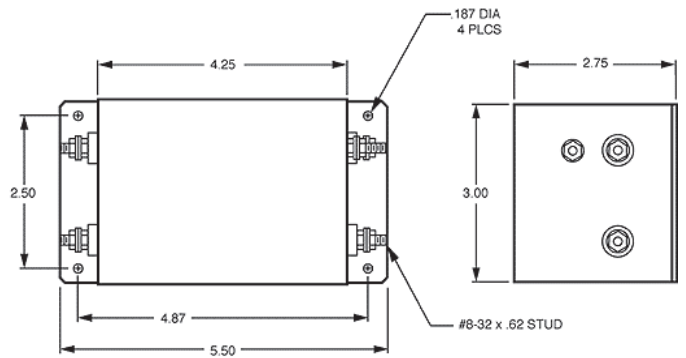
SW

WIDE BAND HIGH PERFORMANCE EMI FILTER

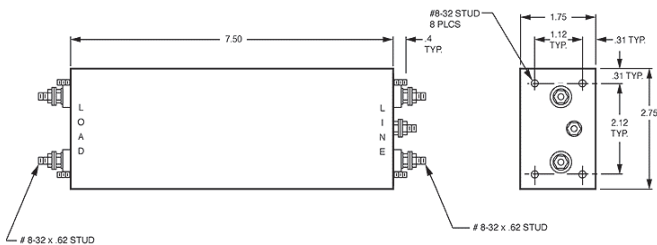
QD TABS (5A) LOW PROFILE



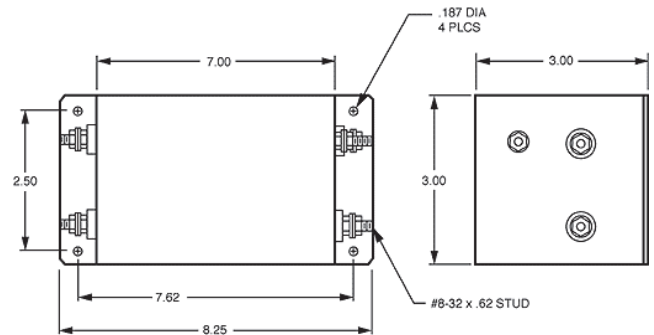
STUDS (10A)



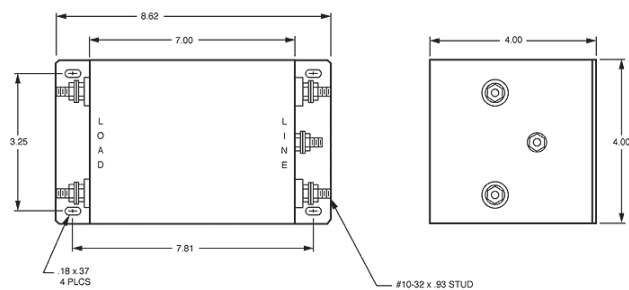
STUDS(10A) LOW PROFILE



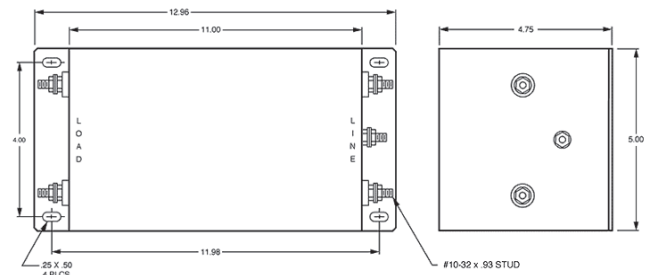
STUDS (20A)



STUDS(30A)

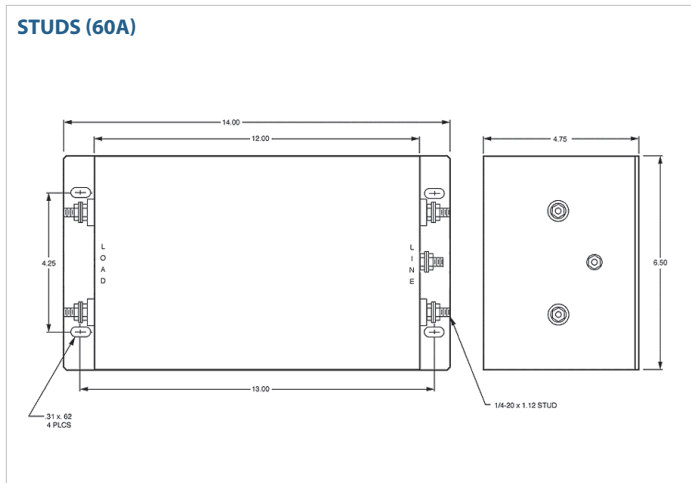


STUDS(45A)



SW

WIDE BAND HIGH PERFORMANCE EMI FILTER



TYPICAL TOLERANCE: +/-0.02" (0.50MM)

TYPICAL INSERTION LOSS, dB (50/50 Ohm)

Amps	Freq (MHz)	Insertion Loss (dB)					
		0.15	0.5	1.0	10	30	
3	CM (dB)	*	65	59	59	59	
	DM (dB)	*	65	55	58	60	
5	CM (dB)	*	65	59	59	59	
	DM (dB)	*	65	55	58	60	
10	CM (dB)	*	65	59	59	59	
	DM (dB)	*	65	55	58	60	
20	CM (dB)	*	65	59	59	59	
	DM (dB)	*	65	55	58	60	
30	CM (dB)	*	70	59	59	59	
	DM (dB)	*	70	55	58	60	
45	CM (dB)	*	65	59	59	59	
	DM (dB)	*	65	55	58	60	
60	CM (dB)	*	65	59	59	59	
	DM (dB)	*	65	55	58	60	

*Contact factory for part data.