

# THT Current Sense Transformers

For Arc Fault Detection Circuits



- Works with the TI SolarMagic RD-195 DC Arc Fault Detection Reference Design Kit
- For the TI SM73201-ARC-EV PCB
- UL/C-UL recognized components
- 3000 Vrms gate to drive winding test
- Useful operating frequency from 50 kHz to 500 kHz

## Electrical Specifications @ 25°C — Operating Temperature -40°C to 130°C

Part Number	Turns Ratio	Primary Inductance (3-7) (mH MIN)	DCR Pri 1 (3-7) (Ω MAX)	DCR Pri 2 (4-8) (mΩ MAX)	DCR Sec (1-10) (mΩ MAX)	Hi-Pot (Pri-Sec) (Vrms)
PA3655NL	200:200:1	76	15.8	15.8	1.7	3000

## Electrical Specifications @ 25°C — Operating Temperature -40°C to 130°C

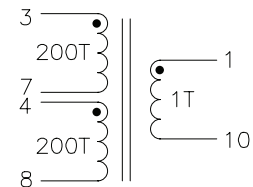
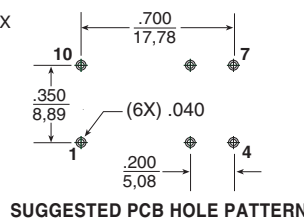
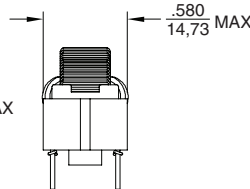
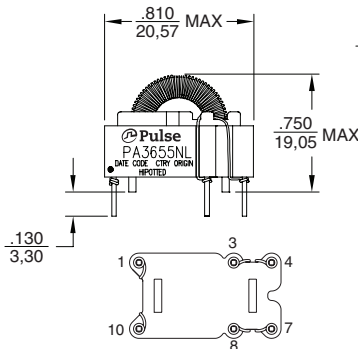
Part Number	Reference Data			Calculation Data
	RT (Ω)	Ipk (Amps)	Max Flux Density (Gauss)	Kb
PA3655NL	200	34	2000	17.12

- Notes:
- These current sense transformers have two one turn primaries that can be used in parallel. The listed current ratings are for parallel connection.
  - The reference values are for an application using the termination resistor (RT) and operating with unipolar waveform at 100kHz, 40% duty cycle. The estimated temperature rise is 55°C.
  - The peak flux density should remain below 2100 Gauss to ensure that the core does not saturate. Use the following formula to calculate the peak flux density:  $B_{pk} = K_b * I_{pk} * R_t * \text{don} / (F_f * \text{Freq. in kHz})$  where:  $R_t$  is the terminating resistor in the application and  $F_f$  is 1 for unipolar waveform and 2 for bipolar waveform
  - The temperature rise of the component is calculated based on the total core loss and copper loss:
    - To calculate total copper loss (W):  $P_{(cu)} = I_{pk}^2 * DCR_{Sec} * F_f * \text{don}$  where:  $F_f$  is 1 for unipolar waveform and 2 for bipolar waveform
    - To calculate total core loss (W):  $P_{(core)} = 0.000073 * (\text{Freq. in kHz})^{1.67} * (B_{op} \text{ in kG})^{2.532}$  where:  $B_{op} \text{ in kG} = K_b * I_{pk} * R_t * \text{don} / (2000 * \text{Freq. in kHz})$
    - To calculate temperature rise:  $\text{Temperature Rise (C)} = 60.18 * (\text{Core Loss(W)} + \text{Copper Loss (W)})^{.833}$

## Mechanicals

## Schematic

### PA3655NL



Weight.....5 grams  
Tray.....20/tray

Dimensions:  $\frac{\text{Inches}}{\text{mm}}$

Unless otherwise specified, all tolerances are  $\pm \frac{.010}{0,25}$

## For More Information

**Pulse Worldwide Headquarters**  
12220 World Trade Drive  
San Diego, CA 92128  
U.S.A.

**Pulse Europe**  
Zeppelinstrasse 15  
71083 Herrenberg  
Germany

**Pulse China Headquarters**  
B402, Shenzhen Academy of  
Aerospace Technology Bldg.  
10th Kejinan Road  
High-Tech Zone  
Nanshan District  
Shenzhen, PR China 518057  
Tel: 86 755 33966678  
Fax: 86 755 33966700

**Pulse North China**  
Room 2704/2705  
Super Ocean Finance Ctr.  
2067 Yan An Road West  
Shanghai 200336  
China  
Tel: 86 21 62787060  
Fax: 86 2162786973

**Pulse South Asia**  
135 Joo Seng Road  
#03-02  
PM Industrial Bldg.  
Singapore 368363

**Pulse North Asia**  
3F No. 198, Zhongyuan Road  
Zhongli City  
Taoyuan County (32068)  
Taiwan  
Tel: 886 3 4356768  
Fax: 886 3 4356823

Tel: 858 674 8100  
Fax: 858 674 8262

Tel: 49 7032 7806 0  
Fax: 49 7032 7806 12

Performance warranty of products offered on this data sheet is limited to the parameters specified. Data is subject to change without notice. Other brand and product names mentioned herein may be trademarks or registered trademarks of their respective owners. © Copyright, 2012. Pulse Electronics, Inc. All rights reserved.