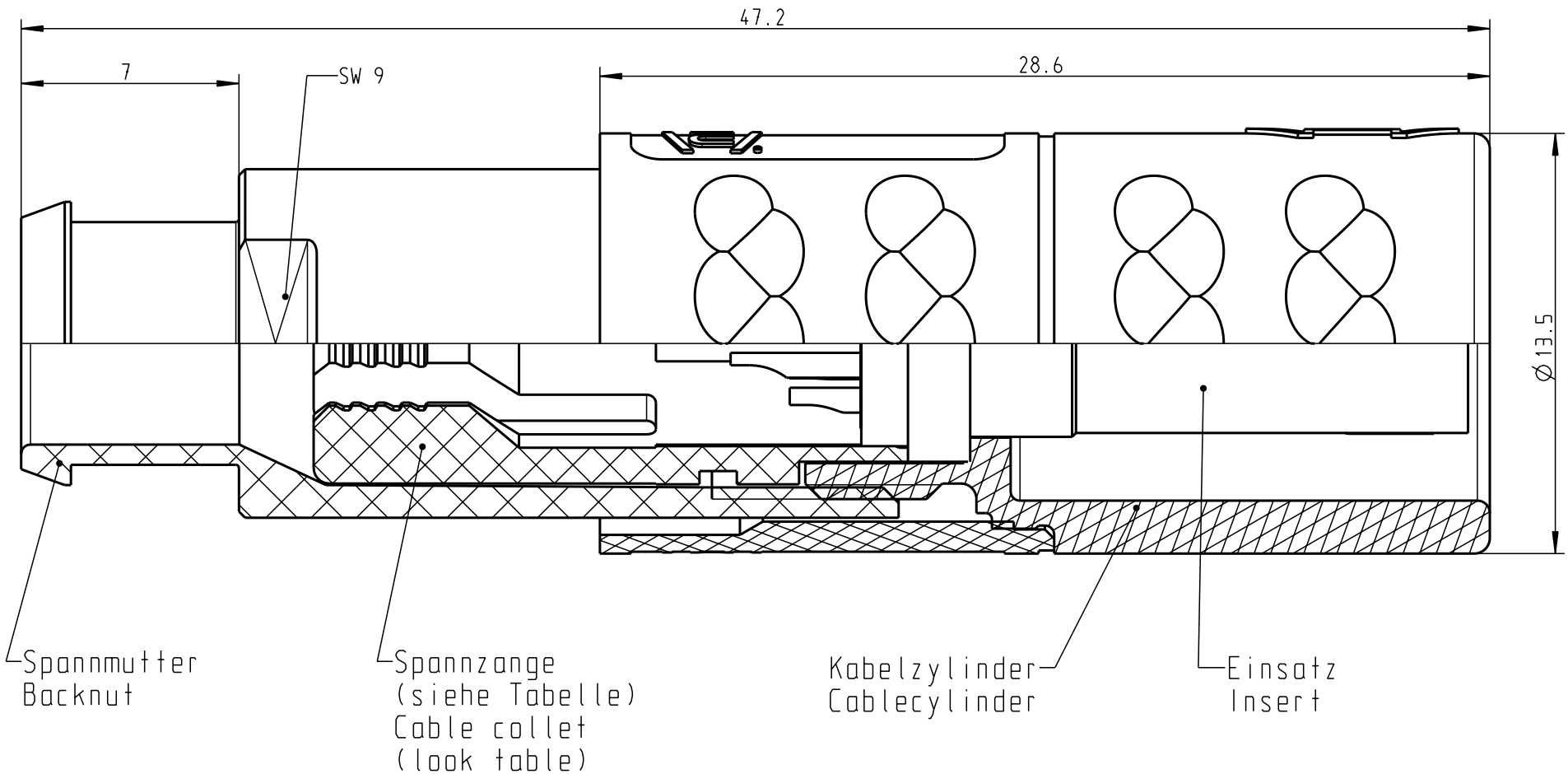
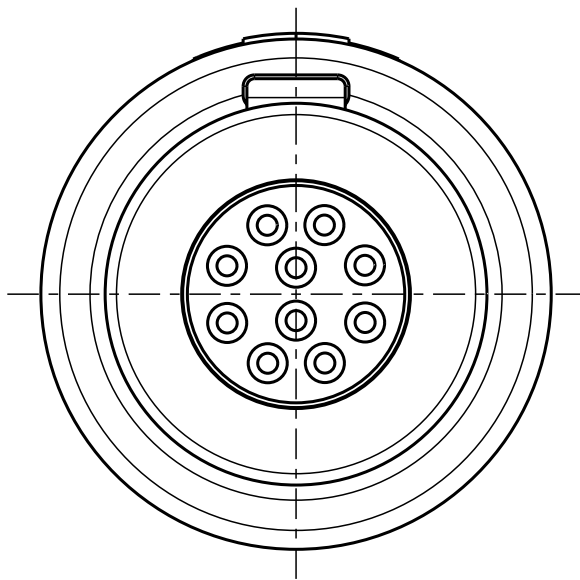


For these drawings, we reserve all rights, including the right to use the drawings for the production of other parts, without the need for approval. The drawings are not to be used for the production of other parts without the approval of the manufacturer.

For these drawings, we reserve all rights, including the right to use the drawings for the production of other parts, without the need for approval. The drawings are not to be used for the production of other parts without the approval of the manufacturer.

All rights reserved, including possible patents or trademarks. Documents shall not be provided to a third party or duplicated in any form without prior written permission.

CAD: Pro/ENGINEER



Spannmutter
Backnut

Spannzange
(siehe Tabelle)
Cable collet
(look table)

Kabelzylinder
Cablecylinder

Einsatz
Insert

Technische Daten/Technical Data:

Werkstoffe/Materials: PSU / grau / grey
Gehäuse/Housing:
Kontakte/Contacts: Cu-Legierung /Cu-alloy
Isolierkörper/Insulation Body: PEEK

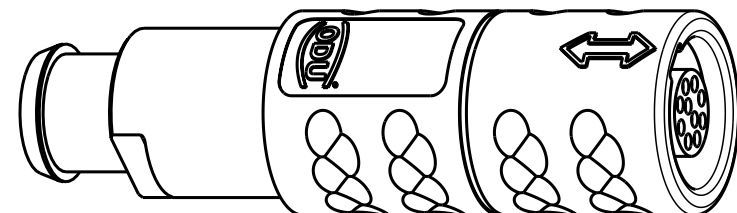
KontaktØ /ContactØ: Ø0.5 mm
Anschluß/Termination: 0.08mm²
Löt/Solder: AWG 28

Prüfspannung/Test Voltage: 1.35 kV DC (SAE AS 13441)

Oberflächen/Surfaces: gal. Au
Kontakte/Contacts:

Strombelastung/Current Load: 5 A
Einzelkontakte/single contacts: 2.75 A
10 polig / 10 position: (IEC 512-3 / VDE 0298 T4)

Schutzart im gesteckten Zustand: IP 50
/Protection Class in mated condition



K21M07-P10LCC0-397S	min. 2.7	max. 3.9
K21M07-P10LCC0-527S	min. 4.0	max. 5.2
K21M07-P10LCC0-657S	min. 5.3	max. 6.5
Artikelnummer Part number	KabelØ CableØ	

Maße ohne Toleranzangabe nach mittel DIN ISO 2768		Rohteil:		Rohgew.:	PE-Modell-Nr.: 00030011
2007	Tag	Name	Benennung:	CAD-Nr.: 00034070	Bl.:
Bearb.	31.05.	Lenhart	Kabelteil cpl.	00034070	Maßstab: 5:1
Gepr.					Zeichnungs-Nr.: K21M07-P10LCC0-..7S
Norm.			Ersatz für:		Nr.
And-zust.			otto dunkel gmbh		