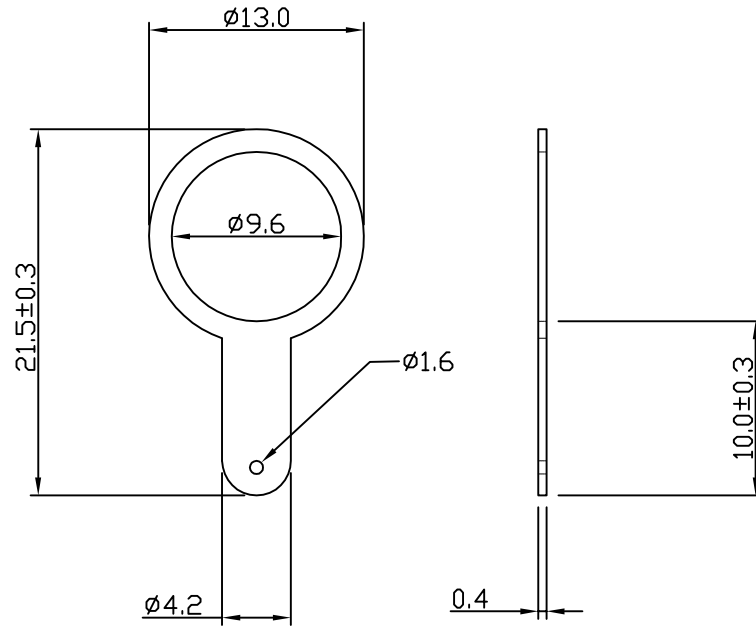


RoHS COMPLIANT



PART	DESCRIPTION
1	Grounding Lug

DESCRIPTION OF REVISION	APPVD	ISS	DATE
Dimensions Updated/Added	JC	2	09 July 12
First Issue	AT	1	10 Feb 06



Cinch Connectivity Solutions
 7-13 Russell Way,
 Widford Industrial Estate,
 Chelmsford, Essex,
 CM1 3AA, UK.
 Tel: +44 (0) 1245 359515
 Fax: +44 (0) 1245 358938

SCALE: Not To Scale	DRAWN BY: A Tusi
DIMENSIONS: mm	CHECKED BY: J Williams
TOLERANCES: ± 0.2mm unless otherwise stated	APPROVED BY: A Tusi
	DATE: 10 Feb 06

TITLE: Grounding Lug for F-Type
--

PART NUMBER: VFGL10
PAGE: 1 of 1