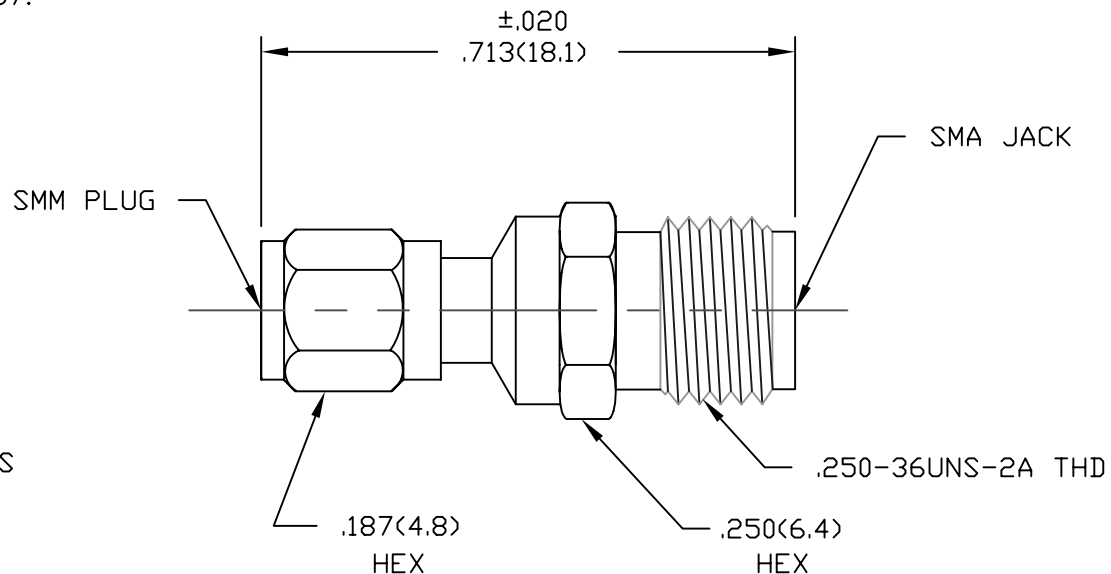


NOTES:

- 1.0 MATERIALS:
  - 1.1 HOUSING & NUT: STAINLESS STEEL PER ASTM-A582, TYPE 303.
  - 1.2 CENTER CONTACT: BERYLLIUM COPPER ROD ALLOY C172, PER ASTM-B196.
  - 1.3 DIELECTRIC: PTFE FLUOROCARBON PER ASTM-D1457.
- 2.0 PLATING:
  - 2.1 HOUSING & NUT: GOLD PER MIL-G-45204 TYPE II, CLASS 1.
  - 2.2 CENTER CONTACT: GOLD PER MIL-G-45204, TYPE II, CLASS 2.
- 3.0 MECHANICAL:
  - 3.1 SMA JACK INTERFACE DIMENSIONS PER MIL-STD-348, FIG. 310-2
  - 3.2 CENTER CONTACT CAPTURED IN ACCORDANCE WITH MIL-A-55339
- 4.0 DIMENSIONS IN PARENTHESIS ARE IN MILLIMETERS
- 5.0 VSWR (MAX):
  - DC to 12.4 GHz: 1.06+.009f(GHz)
  - 12.4 to 25.0 GHz: 1.05+.01f(GHz)

ALL OTHER MECHANICAL, ELECTRICAL AND ENVIRONMENTAL CHARACTERISTICS ARE IN ACCORDANCE WITH MIL-A-55339



REV.	DESCRIPTION	DATE
-	RELEASED	3/24/95
-1	ADDED TITLEBLOCK	3/17/05

NOTICE: The information contained in this drawing is proprietary and must not be used without the permission of Emerson Network Power.

UNLESS OTHERWISE NOTED DIMENSIONS ARE IN INCHES AND TOLERANCES ARE:  
 3 PLACE DECIMALS ±.005  
 2 PLACE DECIMALS ±.02  
 FRACTIONS ±1/64  
 PARALLELITY: T.I.R. \_\_\_\_\_  
 FLATNESS: T.I.R. \_\_\_\_\_  
 CONCENTRICITY: T.I.R. \_\_\_\_\_  
 ANGLES AND PERPENDICULARITY: ±1'

CAGE CODE <b>34078</b>		<b>MIDWEST MICROWAVE</b>	
		TITLE ADAPTER SMM PLUG TO SMA JACK OUTLINE DRAWING	
		DRAWN/DATE A. BEATTY 3/22/95	ENG./DATE A. OSGA 3/24/95
CHECKED/DATE P. GOODMAN 3/23/95		DRAWING NUMBER ADT-2847-SF-MMM-02-01	REV. -1
APPROVED/DATE		SCALE: 5=1	SHEET 1 of 1