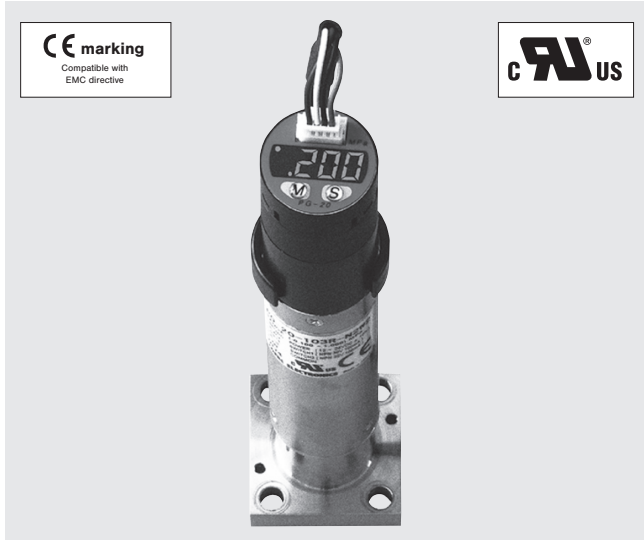


PRESSURE GAUGES

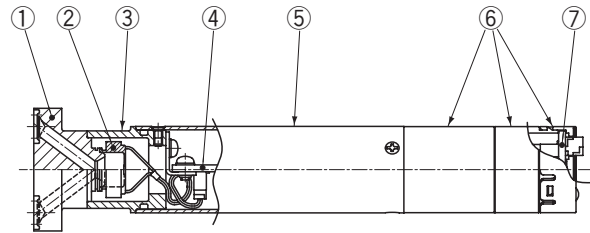
PG-20



FEATURES

- UL991 Tested, third party test report available (PNP output)
- External diameter ϕ 20mm. Easily installable fitting block
- Rotable display part (90°step, 270° full travel)
- Wide combination of output types (switch, current or voltage) available
- Integrally welded structure of sensing chip and fitting bloc

INTERNAL STRUCTURE (W2)



	Part name	Material
①	Fitting block	SUS316L of Double melt
②	Sensor module	SSUS316L of Double melt
③	Sensor holder	SUS316L
④	Amp • board	—
⑤	Cover	SUS316L
⑥	Case	PBT
⑦	Display board	—

MODEL NUMBER DESIGNATION

PG - 20 - 103 R - N2 W2

Series name

Rated pressure

502G : 0 ~ 0.5 MPa 502R : -0.1 ~ 0.5 MPa
103G : 0 ~ 1.0 MPa 103R : -0.1 ~ 1.0 MPa

Pressure Reference / Rated analog out put range

G : Gauge pressure (Positive) / 0MPa ~ Rated pressure
R : Gauge pressure (Compound) / -0.1MPa ~ Rated pressure

※ G(positive pressure)type is special order item.

Fitting block spec.

W1:1.5 inches W-Seal
W2:1.125 inches W-Seal

Output specification

B : SW Nothing
N2 : SW Two outputs (NPN open collector)
P2 : SW Two outputs (PNP open collector)
NV : SW One output (NPN open collector)
+ Voltage output (1 ~ 5V)
PV : SW One output (PNP open collector)
+ Voltage output (1 ~ 5V)
NA : SW One output (NPN open collector)
+ Current output (4 ~ 20mA)
PA : SW One output (PNP open collector)
+ Current output (4 ~ 20mA)

LIST OF MODEL NUMBERS

Output specification		Rated Pressure	
Switch output	Analog output	502	103
None	None	PG-20-502R-BW*	PG-20-103R-BW*
		PG-20-502R-N2W*	PG-20-103R-N2W*
Two outputs	None	PG-20-502R-P2W*	PG-20-103R-P2W*
		PG-20-502□-NVW*	PG-20-103□-NVW*
One outputs	Voltage output	PG-20-502□-PVW*	PG-20-103□-PVW*
		PG-20-502□-NAW*	PG-20-103□-NAW*
	Current output	PG-20-502□-PAW*	PG-20-103□-PAW*

Note 1. W*: Fitting block spec. (W1/W2)

Note 2. □ : G (Positive) / R (Compound)

Note 3. If you want a positive pressure gauge type, please contact us separately.

標準仕様 STANDARD SPECIFICATIONS

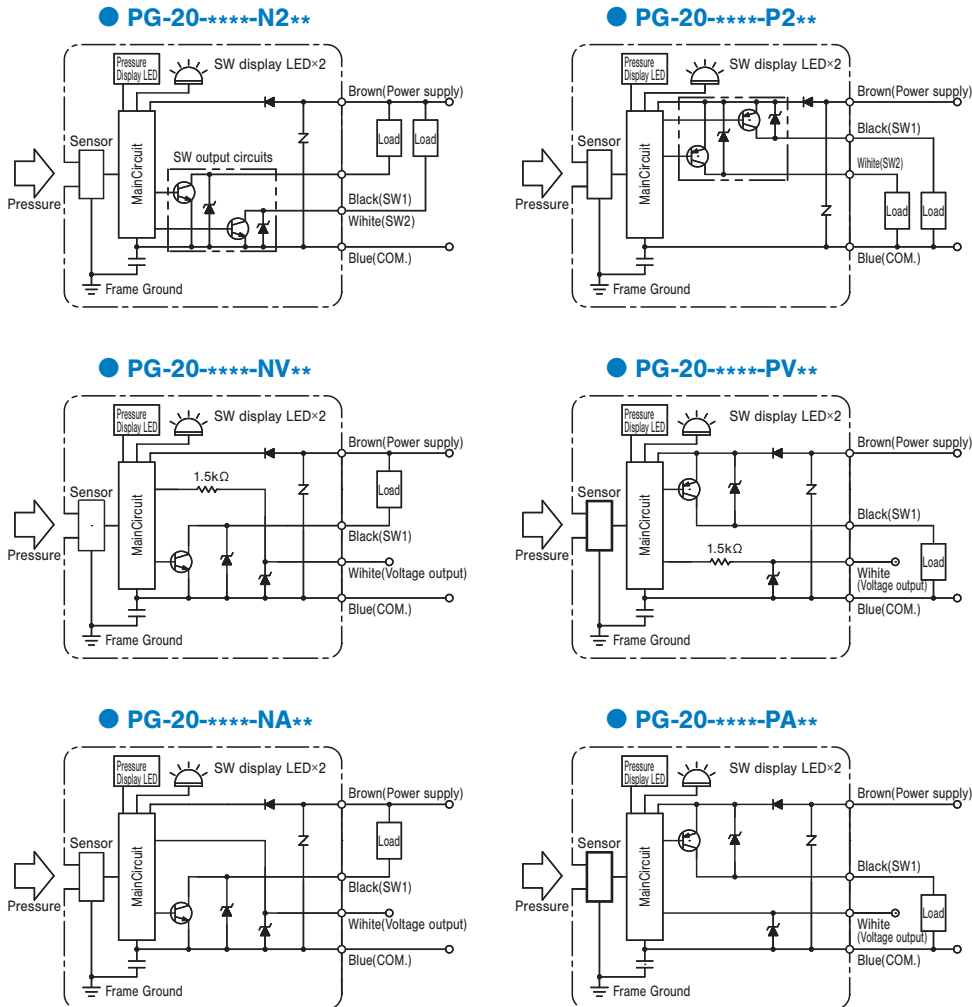
Item		Model number	PG-20	
			502	103
General specifications	Pressure reference		Gauge	
	Rated pressure range	Positive (G)	0 ~ 0.5 MPa	0 ~ 1.0 MPa
		Compound (R)	- 0.1 ~ 0.5 MPa	- 0.1 ~ 1.0 MPa
	Maximum pressure		0.75 MPa	1.5 MPa
	Vacuum pressure		1.4 × 10 ⁻⁴ Pa abs (minimum)	
	Leakage (He vacuum method)		5 × 10 ⁻¹² Pa·m ³ / sec. minimum (Weld in pressure port)	
	Operating temp.range		- 10 ~ 50°C (No condensation)	
	Compensated temp. range		0 ~ 50°C	
	Operating humidity range		35 ~ 85% RH (No condensation)	
	Storage temp. range		- 20 ~ 60°C (Atmospheric pressure, humidity 65%RH minimum)	
	Media		Gases and Liquids compatible with SUS316L	
	Insulation resistance		50MΩ minimum (Between bundled electrical wirings and the pressure port. at 125VDC)	
	Dielectric Strength		Leakage current 5mA max. (Between the bundled electrical wirings and the Pressure At 125VDC,1minute)	
	Pressure contact material		SUS316L Double-Melt Material (Fitting and Sensor)	
	Pressure contact roughness		Ra : 0.15, Rz : 0.7μm minimum*1	
	Pressure contact particle		Zero count of particle of the size 0.1μm or bigger (By our inspection standard)	
	Cable connector		Cable length : 2m cable AWG26 / include cable holder	
	Protection grade		IP40	
Net weight		Approx. 200g (W1) Approx. 110g (W2)		
Voltage	Operating voltage		Voltage output type and other : 12 ~ 24VDC±10% (including ripple) Current output type : 24VDC±10% (including ripple)	
	Current consumption		30mA minimum (No current flow from switch / analog output)	
	CE marking		EN61326-1 : 2006, EN61326-2-3 : 2006 EMI : Class B, EMS : Annex BB	
	Display Method		3 -1/2 LED display (Red LED)	
Pressure Display	Rotation angle		270° (90° step)	
	Rated display range	Positive (G)	.000 ~ .500 MPa	.000 ~ 1.000 MPa
		Compound (R)	- .100 ~ .500 MPa	- .100 ~ 1.000 MPa
	Display cycle		4 times / sec	
	Display accuracy		(The repeatability, linearity and hysteresis are contained)	
	Thermal error		± 0.1%FS / °C (0 ~ 50°C Reference temp. 25°C)	
	Resolution		1 digit	
	Over range		Blinking of pressure display (110% F.S.or more)	
Additional function		Zero point adjustment, Panel lock		
Analog output	Output voltage		(Output current : 1 mA minimum / Output resistance: 1.5 kΩ)	
	Output accuracy	Output accuracy	(The setting error and LIN / HYS are contained)	
		Temperature character	(0 ~ 50°C Reference temp. 25°C)	
	Output current		(Vort: 24VDC ±10% / 500Ω minimum)	
Output accuracy	Output accuracy	(The setting error and LIN / HYS are contained)		
	Temperature character	(0 ~ 50°C Reference temp. 25°C)		
Switch output	Number of output		Output 1 or 2	
	Output interface		NPN / PNP transistor open collector	
	Switching capacity		30VDC 100mA minimum	
	Residual voltage		1.2V(NPN) / 2.2V(PNP) minimum (Land current 100mA)	
	Output working chart		Separate mode / Window comparator mode	
	Repeatability		± 0.3% FS minimum	
	Thermal error		(0 ~ 50°C Reference temp. 25°C)	
	Response		Approx. 2.5, 25, 250 ms	
Hysteresis setting		0 ~ 300counts (Select panel SW)		

*1) The gas contacting part is treated with Electrolytic Polishing (EP).

PG-20

PRESSURE GAUGES

INTERNAL ELECTRICAL SCHEMATICS



LEAD WIRE CONNECTION

Series name Wire color	PG-20-****			
	-BW*	-N2W* / -P2W*	-NVW* / -PVW*	-NAW* / -PAW*
Brown	Operating voltage (12 ~ 24VDC±10%)			Operating voltage (4VDC±10%)
Black	N.C.	Switch output SW1 (NPN/PNP)		
White	N.C.	Switch output SW2 (NPN/PNP)	Output voltage (1 ~ 5V)	Output current (4 ~ 20mA)
Blue	COMMON			

ABOUT PACKING

- This product is precision-cleaned in a clean room and shipped in clean packaging.

CUSTOMIZATION

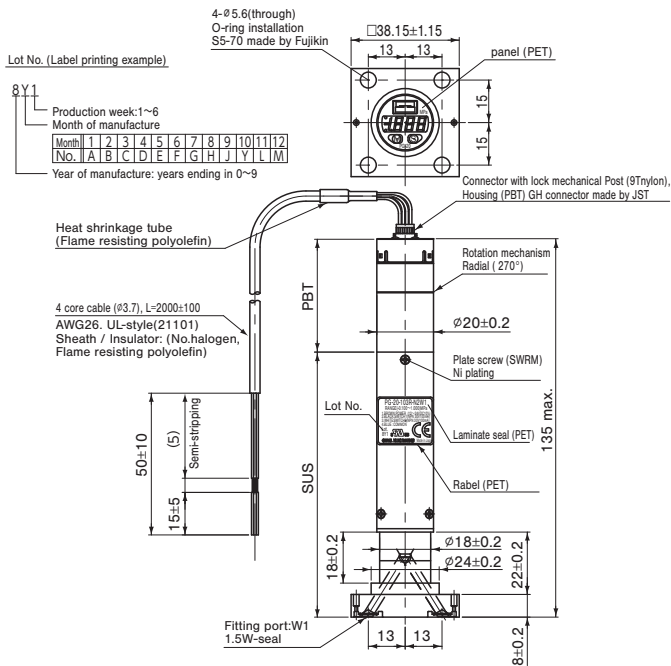
- Available with psi or kPa reading

PG-20 PRESSURE GAUGES

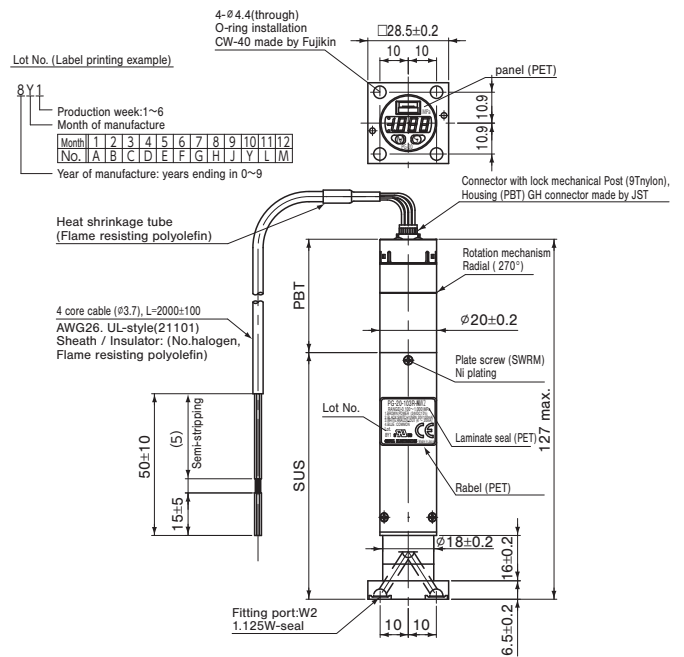
OUTLINE DIMENSIONS

Unless otherwise specified tolerance : ± 0.5 (Unit: mm)

PG-20-***R/G-***W1

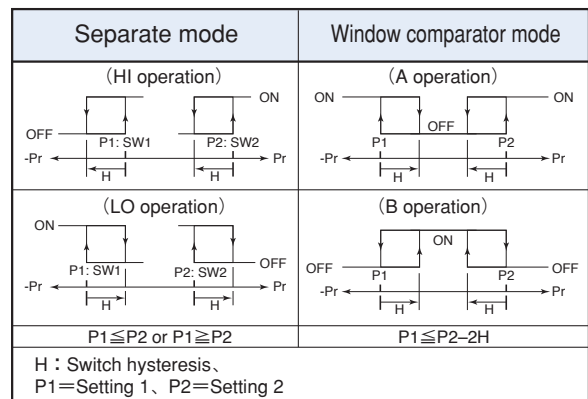


PG-20-***R/G-***W2



SWITCH OUTPUT MODE

Output	SW1		SW2			
	Separate	Window comparator	Separate	Window comparator	Separate	Window comparator
Mode	Separate	Window comparator	Separate	Window comparator	Separate	Window comparator
Operation	HI LO	A B	HI LO	A B	HI LO	A B
S-1	○				○	
S-2	○				○	
S-3						
S-4		○				
C-5			○			○
C-6			○			○
C-7				○		○
C-8				○		○
Pressure setting (Operating point)	Setting 1	(Lower limit) : Setting 1 (Upper limit) : Setting 2	Setting 2	(Lower limit) : Setting 1 (Upper limit) : Setting 2	Setting 1	(Lower limit) : Setting 2



Note 1. In the Separate Mode, setting 1 corresponds to SW1, and Setting 2 corresponds to SW2.

Note 2. In the Window Comparator Mode, the minimum value for SW1 and SW2 corresponds to Setting 1 and the maximum value corresponds to Setting 2.

Note 3. It becomes only "SW1" for one switch output specification. In that case, it displays it in the switch operation mode in order of "S-1" "S-3" "C-5" "C-7".