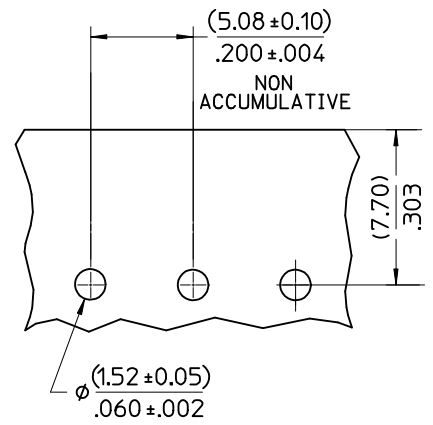
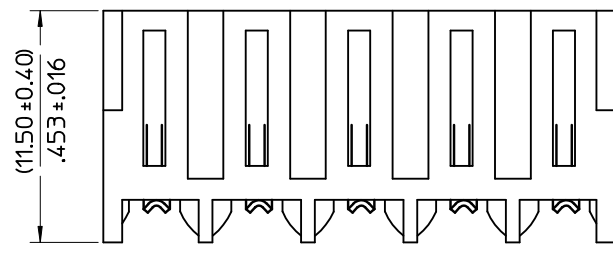
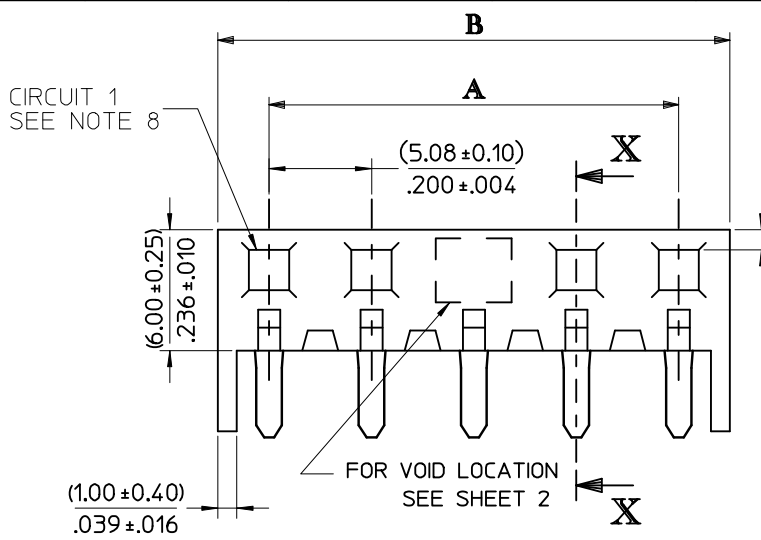
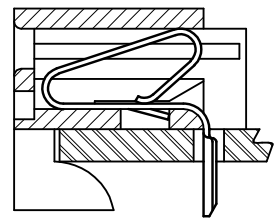
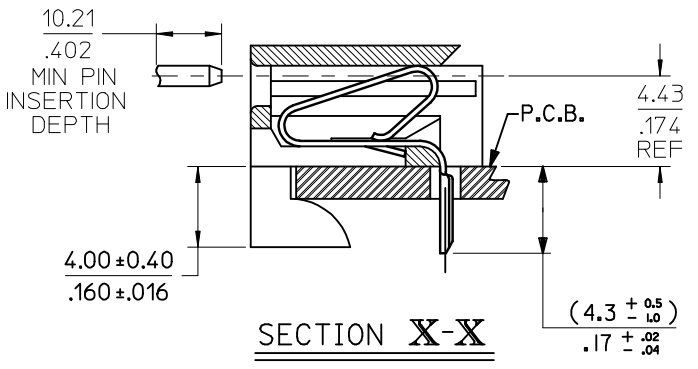


CCT	PART No.	ENG No.	DIM A	DIM B
2	10-10-1021	AE-3002-2A	(5.08 ± 0.10) .200 ± .004	(10.16 ± 0.25) .400 ± .006
3	-1031	-3A	(10.16 ± 0.10) .400 ± .004	(15.24 ± 0.15) .600 ± .008
4	-1041	-4A	(15.24 ± 0.10) .600 ± .004	(20.32 ± 0.15) .800 ± .008
5	-1051	-5A	(20.32 ± 0.10) .800 ± .004	(25.40 ± 0.15) 1.000 ± .008
6	-1061	-6A	(25.40 ± 0.10) 1.000 ± .004	(30.48 ± 0.20) 1.200 ± .008
7	-1071	-7A	(30.48 ± 0.20) 1.200 ± .008	(35.56 ± 0.20) 1.400 ± .008
8	-1081	-8A	(35.56 ± 0.20) 1.400 ± .008	(40.64 ± 0.20) 1.600 ± .008
9	-1091	-9A	(40.64 ± 0.20) 1.600 ± .008	(45.72 ± 0.20) 1.800 ± .008
10	-1101	-10A	(45.72 ± 0.20) 1.800 ± .008	(50.80 ± 0.20) 2.000 ± .008
11	-1111	-11A	(50.80 ± 0.20) 2.000 ± .008	(55.88 ± 0.30) 2.200 ± .012
12	10-10-1121	AE-3002-12A	(55.88 ± 0.25) 2.200 ± .010	(60.96 ± 0.30) 2.400 ± .012



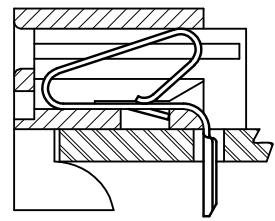
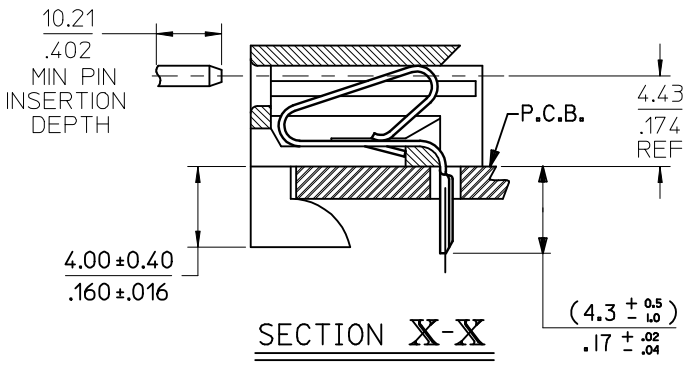
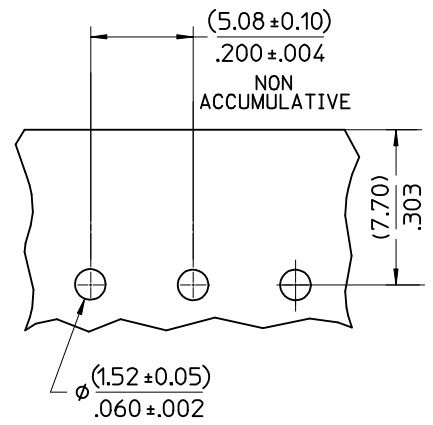
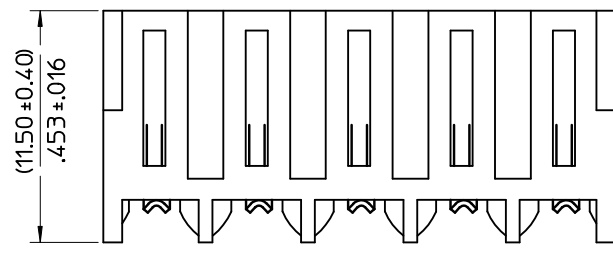
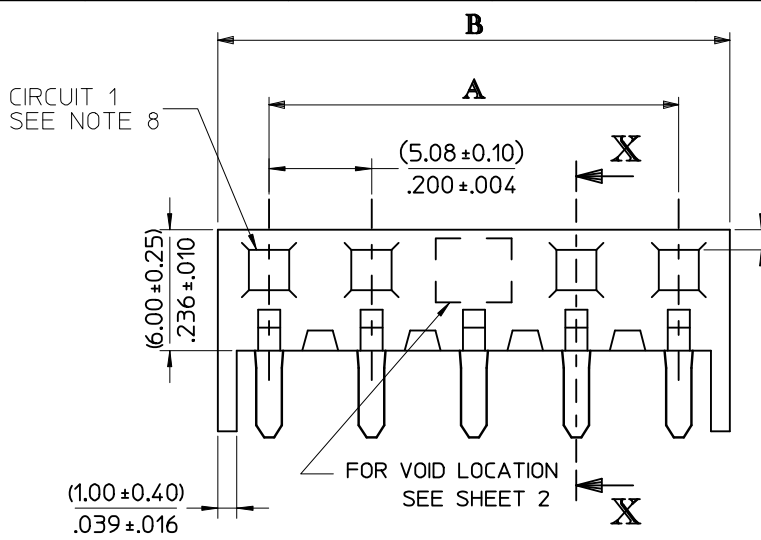
RECOMMENDED P.C.B.HOLE DIMENSIONS  
RECOMMENDED P.C.B. THICKNESS: 1.57/.062



- NOTES:
- HOUSING : NYLON, UL94V-2, COLOR: NATURAL  
TERMINAL : PHOSPHOR BRONZE
  - FINISH: HOT TIN DIP. (0.00254)/.000100 MIN
  - PRODUCT SPECIFICATION : PS-99020-0087
  - PACKAGING SPECIFICATION : TBD
  - HOUSING SUITABLE FOR (1.14±0.15)/.045±.006 RD OR SQ. PINS
  - HOOKS AVAILABLE ON ENDS ONLY
  - THIS PART CONFORMS TO CLASS B REQUIREMENTS OF COSMETIC SPECIFICATION PS-45499-002
  - CIRCUIT 1 I.D. USED TO DEFINE VOID LOCATION.  
CIRCUIT 1 MAY OR MAY NOT LINE UP WITH CIRCUIT 1 OF MATING PART

INSERTION DEPTH	QUALITY SYMBOLS	GENERAL TOLERANCES (UNLESS SPECIFIED)		DIMENSION STYLE		SCALE	DESIGN UNITS	THIRD ANGLE PROJECTION	
		mm	INCH	MM/IN	MM/IN	4:1	METRIC	THIRD ANGLE PROJECTION	
M1	▽ <sub>A</sub> = 0	4 PLACES	± --- ± ---	DRAWN BY	DATE	1995/06/15	KONEKTCON AND P.C. TAIL TERMINAL ASSEMBLY (5.08)/.200 PITCH		
	▽ <sub>B</sub> = 0	3 PLACES	± --- ± ---	CHECKED BY	DATE				
	▽ <sub>C</sub> = 0	2 PLACES	± --- ± ---	GMC SWEENEY	2005/08/31				
	▽ <sub>D</sub> = 0	1 PLACE	± --- ± ---	APPROVED BY	DATE				
	▽ <sub>E</sub> = 0	0 PLACE	± --- ± ---	JDENNEHY	2005/08/31				
		ANGULAR ± --- °		MATERIAL NO.		DOCUMENT NO.		SHEET NO.	
		DRAFT WHERE APPLICABLE MUST REMAIN WITHIN DIMENSIONS		SEE CHART		SDAE-3002-NA-*		1 OF 2	
		THIS DRAWING CONTAINS INFORMATION THAT IS PROPRIETARY TO MOLEX INCORPORATED AND SHOULD NOT BE USED WITHOUT WRITTEN PERMISSION							

CCT	PART No.	ENG No.	DIM A	DIM B
2	10-10-1021	AE-3002-2A	(5.08 ± 0.10) .200 ± .004	(10.16 ± 0.25) .400 ± .006
3	-1031	-3A	(10.16 ± 0.10) .400 ± .004	(15.24 ± 0.15) .600 ± .008
4	-1041	-4A	(15.24 ± 0.10) .600 ± .004	(20.32 ± 0.15) .800 ± .008
5	-1051	-5A	(20.32 ± 0.10) .800 ± .004	(25.40 ± 0.15) 1.000 ± .008
6	-1061	-6A	(25.40 ± 0.10) 1.000 ± .004	(30.48 ± 0.20) 1.200 ± .008
7	-1071	-7A	(30.48 ± 0.20) 1.200 ± .008	(35.56 ± 0.20) 1.400 ± .008
8	-1081	-8A	(35.56 ± 0.20) 1.400 ± .008	(40.64 ± 0.20) 1.600 ± .008
9	-1091	-9A	(40.64 ± 0.20) 1.600 ± .008	(45.72 ± 0.20) 1.800 ± .008
10	-1101	-10A	(45.72 ± 0.20) 1.800 ± .008	(50.80 ± 0.20) 2.000 ± .008
11	-1111	-11A	(50.80 ± 0.20) 2.000 ± .008	(55.88 ± 0.20) 2.200 ± .012
12	10-10-1121	AE-3002-12A	(55.88 ± 0.25) 2.200 ± .010	(60.96 ± 0.20) 2.400 ± .012



RECOMMENDED P.C.B.HOLE DIMENSIONS  
RECOMMENDED P.C.B. THICKNESS: 1.57/.062

- NOTES:
- HOUSING : NYLON, UL94V-2, COLOR: NATURAL  
TERMINAL : PHOSPHOR BRONZE
  - FINISH: HOT TIN DIP. (0.00254)/.000100 MIN
  - PRODUCT SPECIFICATION : PS-99020-0087
  - PACKAGING SPECIFICATION : TBD
  - HOUSING SUITABLE FOR (1.14±0.15)/.045±.006 RD OR SQ. PINS
  - HOOKS AVAILABLE ON ENDS ONLY
  - THIS PART CONFORMS TO CLASS B REQUIREMENTS OF COSMETIC SPECIFICATION PS-45499-002
  - CIRCUIT 1 I.D. USED TO DEFINE VOID LOCATION.  
CIRCUIT 1 MAY OR MAY NOT LINE UP WITH CIRCUIT 1 OF MATING PART

INSERTION DEPTH	QUALITY SYMBOLS	GENERAL TOLERANCES (UNLESS SPECIFIED)		DIMENSION STYLE		SCALE	DESIGN UNITS	THIRD ANGLE PROJECTION	
		mm	INCH	MM/IN	4:1	METRIC	⊙ □		
M1	▽ <sub>A</sub> = 0	4 PLACES	± --- ± ---	DRAWN BY	DATE	TITLE <b>KONEKTCON AND P.C. TAIL            TERMINAL ASSEMBLY            (5.08)/.200 PITCH</b>  <b>molex</b> DOCUMENT NO. SDAE-3002-NA-* SHEET NO. 1 OF 2			
	▽ <sub>B</sub> = 0	3 PLACES	± --- ± ---	GCH	1995/06/15				
	▽ <sub>C</sub> = 0	2 PLACES	± --- ± ---	CHECKED BY	DATE				
	▽ <sub>D</sub> = 0	1 PLACE	± --- ± ---	GMCSWEENEY	2005/08/31				
	▽ <sub>E</sub> = 0	0 PLACE	± --- ± ---	APPROVED BY	DATE				
		ANGULAR ± --- °		JDENNEHY	2005/08/31				
		DRAFT WHERE APPLICABLE MUST REMAIN WITHIN DIMENSIONS		SEE CHART					
				SIZE	THIS DRAWING CONTAINS INFORMATION THAT IS PROPRIETARY TO MOLEX INCORPORATED AND SHOULD NOT BE USED WITHOUT WRITTEN PERMISSION				
				A3					