

ALUMINUM ELECTROLYTIC CAPACITORS

UWG

Chip Type, Low Impedance



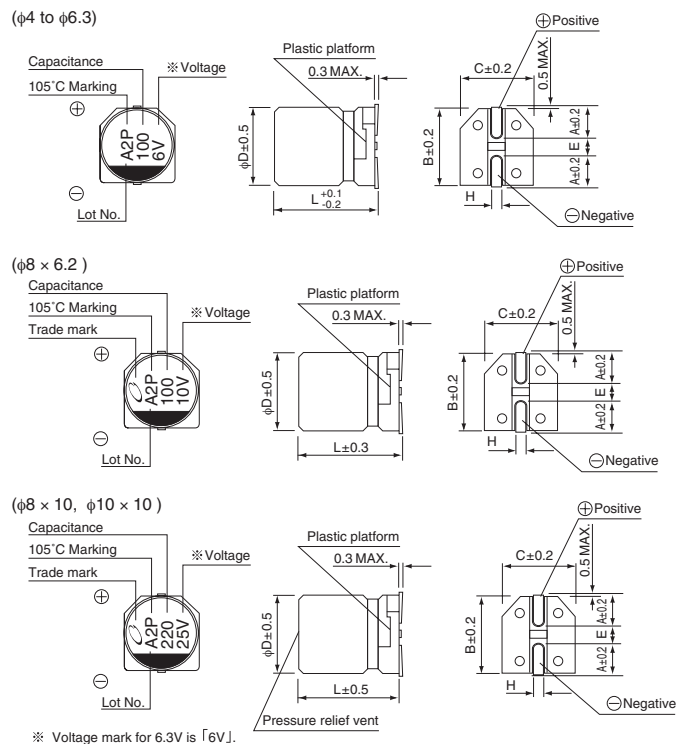
- Chip type, operating over wide temperature range of to -55 to $+105^{\circ}\text{C}$.
- Designed for surface mounting on high density PC board.
- Applicable to automatic mounting machine fed with carrier tape.
- Compliant to the RoHS directive (2011/65/EU, (EU)2015/863).
- AEC-Q200 compliant. Please contact us for details.



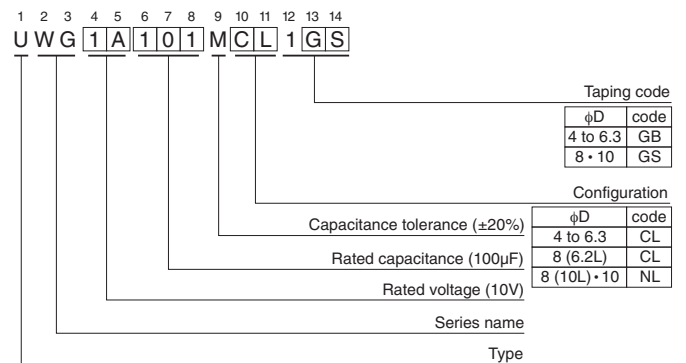
Specifications

Item	Performance Characteristics					
Category Temperature Range	-55 to $+105^{\circ}\text{C}$					
Rated Voltage Range	6.3 to 50V					
Rated Capacitance Range	1 to $1500\mu\text{F}$					
Capacitance Tolerance	$\pm 20\%$ at 120Hz, 20°C					
Leakage Current	After 2 minutes' application of rated voltage at 20°C , leakage current is not more than 0.01CV or $3(\mu\text{A})$, whichever is greater.					
Tangent of loss angle (tan δ)	Measurement frequency : 120Hz at 20°C					
	Rated voltage (V)	6.3	10	16	25	35
Stability at Low Temperature	Measurement frequency : 120Hz					
	Rated voltage (V)	6.3	10	16	25	35
Endurance	The specifications listed at right shall be met when the capacitors are restored to 20°C after the rated voltage is applied for 1000 hours at 105°C .					
	Capacitance change	Within $\pm 20\%$ of the initial capacitance value				
Shelf Life	After storing the capacitors under no load at 105°C for 1000 hours and then performing voltage treatment based on JIS C 5101-4 clause 4.1 at 20°C , they shall meet the specified values for the endurance characteristics listed above.					
	Capacitance change	Within $\pm 10\%$ of the initial capacitance value				
Resistance to soldering heat	The capacitors are kept on a hot plate for 30 seconds, which is maintained at 250°C . The capacitors shall meet the characteristic requirements listed at right when they are removed from the plate and restored to 20°C .					
	tan δ	Less than or equal to the initial specified value				
Marking	Black print on the case top.					
	Leakage current	Less than or equal to the initial specified value				

Chip Type



Type numbering system (Example : 10V 100 μF)



$\phi\text{D} \times \text{L}$	4 × 5.4	5 × 5.4	6.3 × 5.4	8 × 6.2	8 × 10	10 × 10
A	1.8	2.1	2.4	3.3	2.9	3.2
B	4.3	5.3	6.6	8.3	8.3	10.3
C	4.3	5.3	6.6	8.3	8.3	10.3
E	1.0	1.3	2.2	2.3	3.1	4.5
L	5.4	5.4	5.4	6.2	10	10
H	0.5 to 0.8	0.5 to 0.8	0.5 to 0.8	0.5 to 0.8	0.8 to 1.1	0.8 to 1.1

Frequency coefficient of rated ripple current

Frequency	50 Hz	120 Hz	300 Hz	1 kHz	10 kHz or more
Coefficient	0.35	0.50	0.64	0.83	1.00

● Dimension table in next page.

UWG

■ Dimensions

Rated Voltage (V) (code)	Rated Capacitance (μF)	Case Size φD×L (mm)	tan δ	Leakage Current (μA) (at 20°C after 2 minutes)	Impedance (Ω) MAX. (20°C/100kHz)	Rated Ripple (mArms) (105°C/100kHz)	Part Number
6.3 (0J)	22	4×5.4	0.26	3	3.00	60	UWG0J220MCL1GB
	47	5×5.4	0.26	3	1.80	95	UWG0J470MCL1GB
	68	6.3×5.4	0.26	4.284	1.00	140	UWG0J680MCL1GB
	100	6.3×5.4	0.26	6.3	1.00	140	UWG0J101MCL1GB
	220	8×6.2	0.26	13.86	0.40	230	UWG0J221MCL1GS
	330	8×10	0.26	20.79	0.30	450	UWG0J331MNL1GS
	1000	10×10	0.26	63	0.15	670	UWG0J102MNL1GS
	1500	10×10	0.26	94.5	0.15	670	UWG0J152MNL1GS
10 (1A)	33	5×5.4	0.19	3.3	1.80	95	UWG1A330MCL1GB
	100	8×6.2	0.19	10	0.40	230	UWG1A101MCL1GS
	150	8×6.2	0.19	15	0.40	230	UWG1A151MCL1GS
	220	8×10	0.19	22	0.30	450	UWG1A221MNL1GS
	470	10×10	0.19	47	0.15	670	UWG1A471MNL1GS
	1000	10×10	0.19	100	0.15	670	UWG1A102MNL1GS
16 (1C)	10	4×5.4	0.16	3	3.00	60	UWG1C100MCL1GB
	22	5×5.4	0.16	3.52	1.80	95	UWG1C220MCL1GB
	47	6.3×5.4	0.16	7.52	1.00	140	UWG1C470MCL1GB
	68	8×6.2	0.16	10.88	0.40	230	UWG1C680MCL1GS
	100	8×6.2	0.16	16	0.40	230	UWG1C101MCL1GS
	220	10×10	0.16	35.2	0.15	670	UWG1C221MNL1GS
	330	10×10	0.16	52.8	0.15	670	UWG1C331MNL1GS
	470	10×10	0.16	75.2	0.15	670	UWG1C471MNL1GS
	680	10×10	0.16	108.8	0.15	670	UWG1C681MNL1GS
25 (1E)	6.8	4×5.4	0.14	3	3.00	60	UWG1E68MCL1GB
	22	6.3×5.4	0.14	5.5	1.00	140	UWG1E220MCL1GB
	33	6.3×5.4	0.14	8.25	1.00	140	UWG1E330MCL1GB
	47	8×6.2	0.14	11.75	0.40	230	UWG1E470MCL1GS
	68	8×10	0.14	17	0.30	450	UWG1E680MNL1GS
	100	8×10	0.14	25	0.30	450	UWG1E101MNL1GS
	220	10×10	0.14	55	0.15	670	UWG1E221MNL1GS
	330	10×10	0.14	82.5	0.15	670	UWG1E331MNL1GS
	470	10×10	0.14	117.5	0.15	670	UWG1E471MNL1GS
35 (1V)	1	4×5.4	0.12	3	3.00	60	UWG1V010MCL1GB
	2.2	4×5.4	0.12	3	3.00	60	UWG1V2R2MCL1GB
	3.3	4×5.4	0.12	3	3.00	60	UWG1V3R3MCL1GB
	4.7	4×5.4	0.12	3	3.00	60	UWG1V4R7MCL1GB
	6.8	5×5.4	0.12	3	1.80	95	UWG1V6R8MCL1GB
	10	5×5.4	0.12	3.5	1.80	95	UWG1V100MCL1GB
	22	6.3×5.4	0.12	7.7	1.00	140	UWG1V220MCL1GB
	33	8×6.2	0.12	11.55	0.40	230	UWG1V330MCL1GS
	47	8×6.2	0.12	16.45	0.40	230	UWG1V470MCL1GS
	100	10×10	0.12	35	0.15	670	UWG1V101MNL1GS
	220	10×10	0.12	77	0.15	670	UWG1V221MNL1GS
	330	10×10	0.12	115.5	0.15	670	UWG1V331MNL1GS
	50 (1H)	1	4×5.4	0.12	3	5.00	30
2.2		4×5.4	0.12	3	5.00	30	UWG1H2R2MCL1GB
3.3		4×5.4	0.12	3	5.00	30	UWG1H3R3MCL1GB
4.7		5×5.4	0.12	3	3.00	50	UWG1H4R7MCL1GB
10		6.3×5.4	0.12	5	2.00	70	UWG1H100MCL1GB
22		8×6.2	0.12	11	0.70	120	UWG1H220MCL1GS
33		8×10	0.12	16.5	0.60	300	UWG1H330MNL1GS
47		10×10	0.12	23.5	0.30	500	UWG1H470MNL1GS
100		10×10	0.12	50	0.30	500	UWG1H101MNL1GS
220		10×10	0.12	110	0.30	500	UWG1H221MNL1GS

- For taping specifications, recommended land size/soldering by reflow and minimum order quantity, please refer to the Guidelines for Aluminum Electrolytic Capacitors.
- Please select UJJ if high C/V products are required.