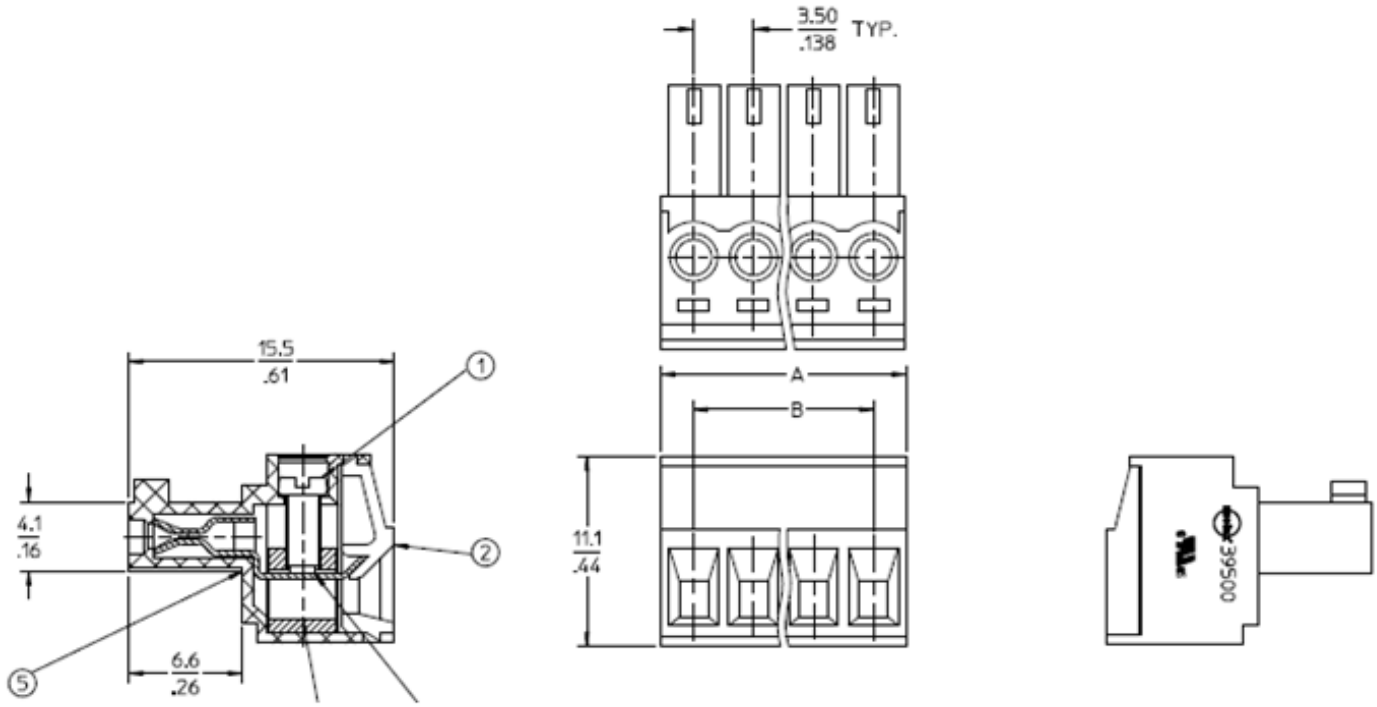


Sonalert® Accessory Drawing

Revision **A**



| # Poles | Dim A | Dim B | Operating Temp. |
|---------|----------------|----------------|-----------------|
| -2 | 7.8mm(0.307") | 3.5mm(0.138") | -40 to +105°C |
| -4 | 14.8mm(0.583") | 10.5mm(0.413") | -40 to +105°C |