

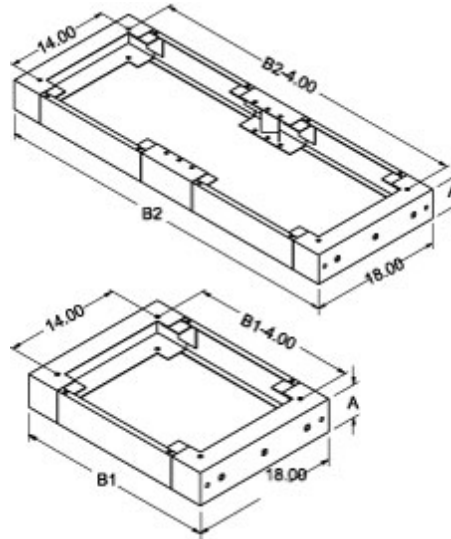


Quality Products. Service Excellence.

## Modular Plinth S2CPL Series



- Features removable front and rear panels for easy access to bottom for cabling or transport by forklift.
- For cable access, features 3 double knockouts on each end.
- Available in 4" and 8" heights.
- Available in 24", 36", 48" and 60" widths.
- Maintains NEMA rating of system.
- Formed 14 gauge steel.
- Also offered with formed 14 gauge stainless steel.
- Available in light gray and stainless steel.



RAL 7035 Light Gray	Stainless Steel			
Part No.	Part No.	A	B1	B2
2CLP42418	2CSP42418	4.00	24.00	-
2CLP43618	2CSP43618	4.00	36.00	-
2CLP44818	2CSP44818	4.00	-	48.00
2CLP46018	2CSP46018	4.00	-	60.00
2CLP82418	2CSP82418	8.00	24.00	-
2CLP83618	2CSP83618	8.00	36.00	-
2CLP84818	2CSP84818	8.00	-	48.00
2CLP86018	2CSP86018	8.00	-	60.00

Data subject to change without notice

