



Quality Products. Service Excellence.

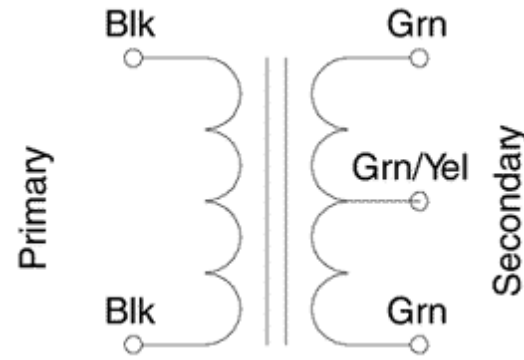
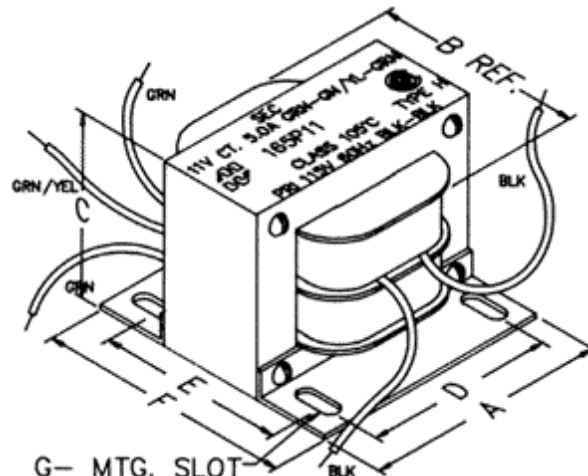
Low Voltage, Filament High Current, Chassis Mount - 125 VA to 440 VA 165 Series

115 V Primary

Features



- 115 VAC - 60 Hz. single primary
- All secondaries are center tapped (C.T.)
- Open style, 4 hole frame chassis mount.
- Minimum 6" long leads or copper tabs with holes.
- Dual bobbin design - no electrostatic shield required.
- Class B insulation (130 degrees, C).
- Hi-Pot test of 2,000V RMS.
- UL listed (# E207860) Type 3AH
- CSA certified (# LR209651).



Ask About
Custom
Transformers
& Chokes



Part No.	VA	Secondary (R.M.S.)			Dimensions						
		VAC	Amps		A	B	C	D	E	F	Mounting Slot
165Z3	150	3.0 C.T.	50		3.75	3.13	3.13	3.13	2.75	3.50	0.22 x 0.56
165X5	150	5.0 C.T.	30		3.75	2.63	3.13	3.13	2.50	3.25	0.22 x 0.56
165V7	157.5	7.5 C.T.	21		3.75	2.63	3.13	3.13	2.50	3.25	0.22 x 0.56
165V10	200	10.0 C.T.	20		3.75	3.13	3.13	3.13	2.75	3.50	0.22 x 0.56
165U11	165	11.0 C.T.	15		3.75	2.63	3.13	3.13	2.50	3.25	0.22 x 0.56
165S12	126	12.6 C.T.	10		3.00	3.25	2.56	2.50	3.25	4.00	0.22 x 0.56

Part No.	Secondary (R.M.S.)			Dimensions						Mounting Slot		
	VA	VAC	Amps	A	B	C	D	E	F			
165V12	252	12.6 C.T.	20	3.75	3.63	3.13	3.13	3.25	4.00	0.22	x	0.56
165S18	180	18.0 C.T.	10	3.75	3.13	3.13	3.13	2.75	3.50	0.22	x	0.56
165U18	270	18.0 C.T.	15	4.50	3.88	3.75	3.75	2.75	3.50	0.28	x	0.56
165V18	360	18.0 C.T.	20	4.50	4.38	3.75	3.75	3.25	4.00	0.28	x	0.56
165T22	264	22.0 C.T.	12	4.50	3.88	3.75	3.75	2.75	3.50	0.28	x	0.56
165V22	440	22.0 C.T.	20	4.50	4.38	3.75	3.75	3.75	4.50	0.28	x	0.56
165P25	125	25.0 C.T.	5	3.00	3.25	2.56	2.50	3.25	4.00	0.22	x	0.56
165S25	250	25.0 C.T.	10	3.75	3.63	3.13	3.13	3.25	4.00	0.22	x	0.56
165P30	150	30.0 C.T.	5	3.00	3.25	2.56	2.50	3.25	4.00	0.22	x	0.56
165S30	300	30.0 C.T.	10	4.50	3.88	3.75	3.75	2.75	3.50	0.28	x	0.56
165P60	300	60.0 C.T.	5	4.50	3.88	3.75	3.75	2.75	3.50	0.28	x	0.56
165N80	320	80.0 C.T.	4	4.50	4.38	3.75	3.75	3.25	4.00	0.28	x	0.56

Data subject to change without notice

© 2022. Hammond Manufacturing Ltd. All rights reserved.