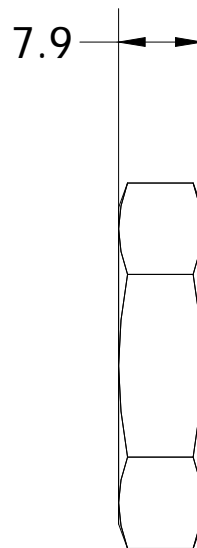
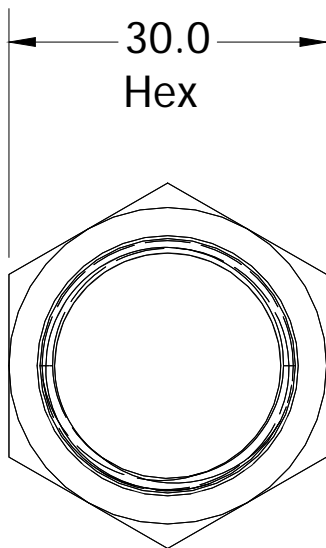
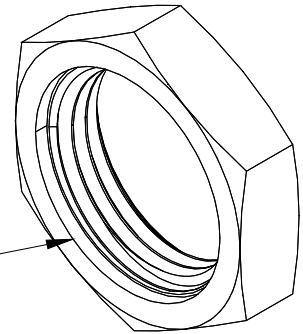


**Direct Mount Nut**

1/2" NPSL Pipe Size, 14 Threads per Inch



Dimensions: mm

**Assembly Procedure**

Thread onto J-DIRECTMOUNTPOLE to secure to machine.

Material: Stainless Steel SUS304

UL50, C22.2 No.94, NEMA Type 3R, 4X, & 12, and IP66 approved, RoHS compliant, Gasket.