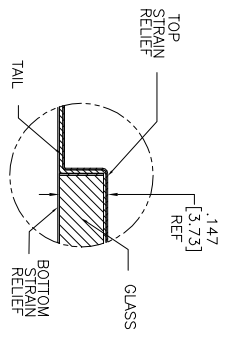
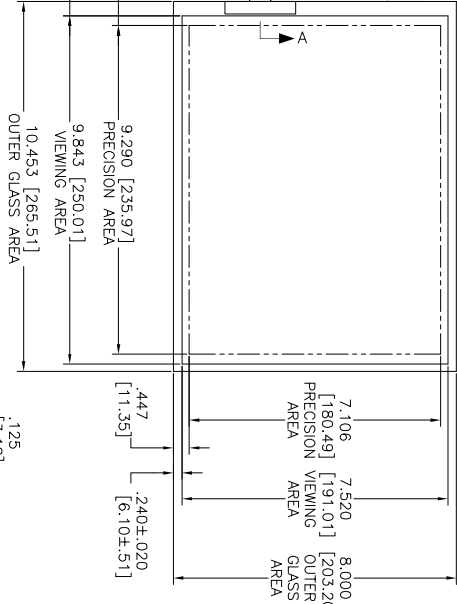
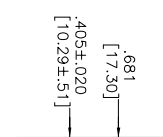
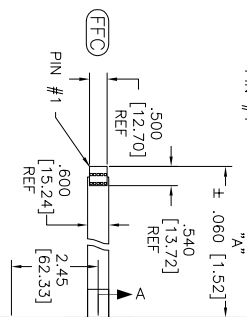
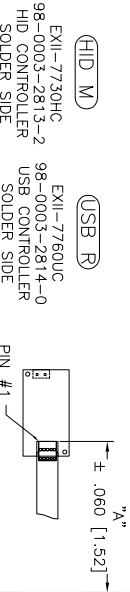
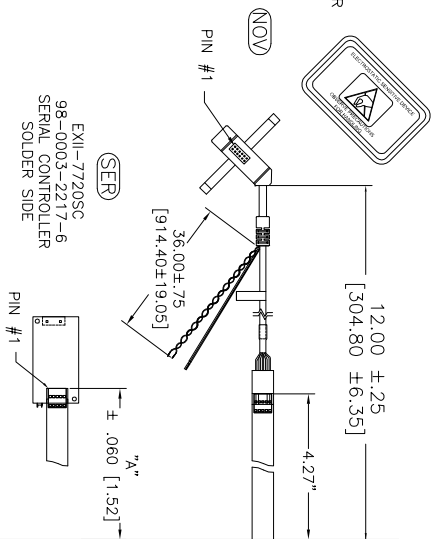


OGA DIAGONAL: 13.16 [334.34]
 VA DIAGONAL: 12.39 [314.63]
 PA DIAGONAL: 11.70 [297.08]

ESD CLAMSHELL
 CASE
 IS USED WITH ALL
 NOV, USB AND SER
 TERMINATIONS.



TOP LEVEL NUMBER	US NUMBER	CHINA NUMBER	TYPE	DM # (TOTAL GLASS TO CONNECTOR)	A/G FINISH	PROD SPEC
17-8581-203	98-0003-2633-4	59-0000-0156-6	FCC	4.27" [108.46]	AG500	23655
17-8581-205	98-0003-2634-2	N/A	FCC	8.00" [203.20]	AG500	23655
17-8581-206	98-0003-2635-9	N/A	NOV	SEE DWG	AG500	23655
17-8581-221	98-0003-2637-5	59-0000-0158-2	SER	4.27" [108.46]	AG500	23655
17-8581-227	98-0003-2639-1	N/A	SER	8.00" [203.20]	AG500	23655
17-8581-218	98-0003-3272-0	59-0000-0157-4	USB R	4.27" [108.46]	AG500	23655
17-8581-230	98-0003-2994-0	59-0000-0159-0	HID M	8.00" [203.20]	AG500	23655

NOTES:

1. WEIGHT OF GLASS IN GRAMS: 411±10% HOUSING ORIENTED WITH LATCH DOWN

PINOUT	1	2	3	4	5
LR					
LL					
SHLD					
UL					
UR					

.147±.020 [3.73±.51]
 TOTAL THICKNESS
 OF GLASS, CABLE
 AND STRAIN RELIEF

UNITS	INCHES [MM]
TOLERANCES UNLESS OTHERWISE SPECIFIED	
X ±.03 [.76]	
.XX ±.015 [.38]	
ANGLES ±1°	

3M TOUCH SYSTEMS
 3M TOUCH SYSTEMS
 USA
 MADE IN USA, VA

THIS DOCUMENT IS THE COPYRIGHTED PROPERTY OF THE 3M COMPANY. NO PART OF THIS DOCUMENT IS TO BE REPRODUCED OR TRANSMITTED IN ANY FORM OR BY ANY MEANS, WITHOUT WRITTEN PERMISSION OR USED FOR ANY OTHER PURPOSES THAN THOSE AUTHORIZED BY 3M.

DATE: 9/05
 DRAWN BY: K. CHROWLEY

REV	REVISED PER	CO	DATE	BY
J	REVISED PER CO	033533	1/12	SB
H	REVISED PER CO	033455	8/11	SB
07	REVISED PER CO	030452	6/09	SB

MARKETING DRAWING
 SCT32NN 12.39"

DO NOT SCALE DRAWING	SCALE	1 = 1
DO NOT SCALE DRAWING	SCALE	1 = 1

DOC FORMAT	AUTOCAD	SHEET	1 OF 1
DOC FORMAT	AUTOCAD	SHEET	1 OF 1

28159-MKT

J