



Mallory Sonalert Products, Inc.

Part #:

SBT200FL

Sales Outline Drawing

Revision:

B

Specifications:	0
Sound Level Category:	Loud
Mode of Operation:	Medical Spec IEC60601-1-8
Voltage Rating:	5, 30 Max
Frequency:	150 to 4000 Hz
Loudness @ 10cm:	85 to 95 dB(A) Typ.
Average Current Draw:	
Ipk Current*:	1.5mA at rated voltage
Housing Material:	ABS 777D Plastic Resin, Black
Storage Temperature:	-40° to +85° C
Operating Temperature:	-30° to +65° C
Weight Typical:	0.6 oz (17g)
Options:	Please contact factory.
Condition by wave solder (°C)	0
Condition by hand solder (°C)	0

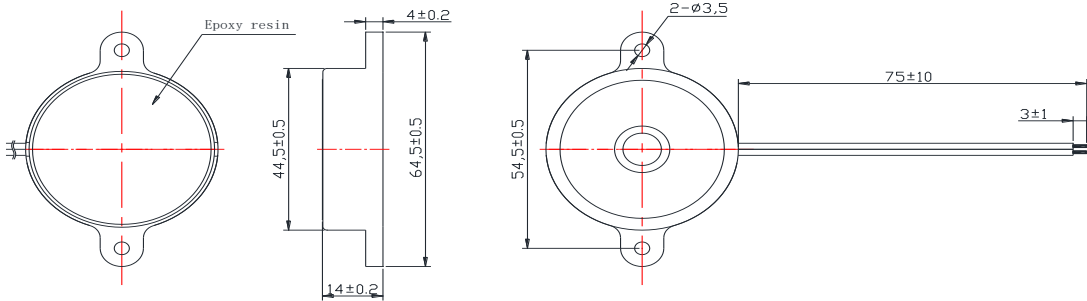
Dimensions: Inches (mm) **cUL Recognized** **ROHS Compliant**

PATENT NUMBER: 7880593

Before Code Date: 1546

Not cUL Recognized

After Code Date: 1547 cUL Recognized



*Ipk = Instantaneous Peak

tolerances: ± 0.01 [± 0.3]
 ± 0.005 [± 0.1]