



Mallory Sonalert Products, Inc.

Part #:

SCE028MD3MP1F

Sales Outline Drawing

Revision:

B

Specifications:

Sound Level Category	Medium
Mode of Operation	Medium Pulse @ 5 PPS
Voltage Rating	16 to 28 VDC
Frequency	2900 ± 500 Hz
Loudness @ 2 FT	75 to 85 dB(A) Typ.
Current Draw	40mA MAX
Housing Material	6/6 Nylon, Color: Black
Storage Temperature	-40° to +85° C
Operating Temperature	-40° to +85° C
Panel Mounting	Recommended hole size is 1.25"(31.75mm). Thread front will fit standard 30mm(1.181") hole.
Knurled Nut	Used to attach part to panel. The max recommended torque is 10 in-lbs.
Weight (Typical)	1.6 oz (45g)
NEMA 3R,4X, & 12	Approved with use of ACC03.
cUL Recognition	cUL Recognized
Options	Please contact factory.

Dimensions:

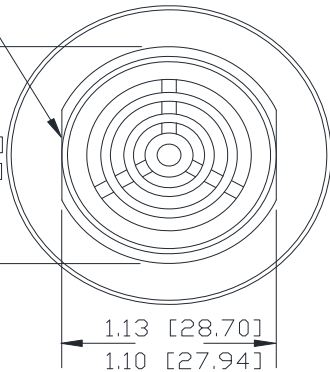
Inches (mm)

cUL Recognized

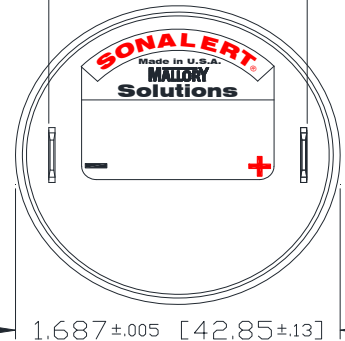
ROHS Compliant

LOCKING FLATS

1.240 [31.50]
1.210 [30.73]



1.19±.09 [30.24±.29]



1 1/8-24 UNS 2A THD.

KNURLED NUT

MOLDED BLACK NYLON HOUSING

TERMINALS PARALLEL TO LOCKING FLATS WITHIN ±15° (SEE NOTE A)

1.313±.005 [33.34±.13]

.375±.005 [9.52±.13]

.031±.005 [.79±.13]

.47±.01 [11.94±.25]

.250±.005 [6.35±.13]

.312±.005 [7.92±.13]

.44±.01 [11.17±.25]

.031±.005 [.79±.13]

.82±.06 [20.91±.152]

MOUNTING: REMOVE BLACK PLASTIC NUT AND INSERT THREADED FRONT THROUGH 1.25" HOLE PUNCHED IN PANEL, IF ORIENTATION IS NEEDED, NOTE LOCKING FLATS ON DRAWING. SCREW NUT BACK ON. DO NOT OVERTIGHTEN.