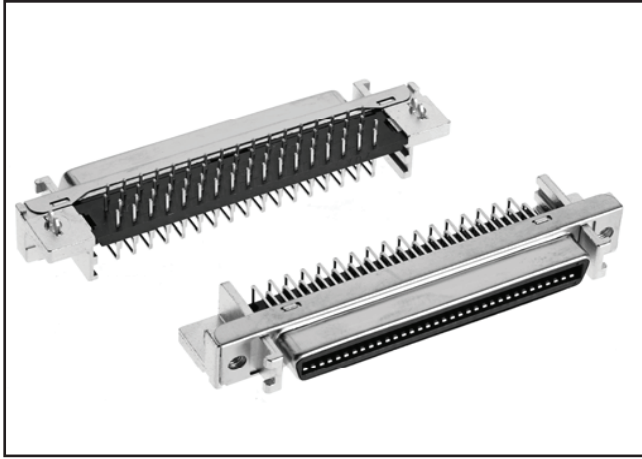


# 3M™ Mini D Ribbon (MDR) Connectors

.050" Boardmount Through-Hole Right Angle Receptacle - Shielded, SCSI-2 Layout 102 Series



- Wiper-on-wiper contact for reliable repetitive plugging
- Rugged die cast metal case construction
- Ground lock for reliable PCB retention
- Interface latch design for connection stability
- 68 position
- Reverse pin layout pattern - SCSI-2 layout compatible
- See the Regulatory Information Appendix (RIA) in the "RoHS compliance" section of [www.3mconnectors.com](http://www.3mconnectors.com) for compliance information (RIA E1 & C1 apply)

Date Modified: July 21, 2009

TS-2216-C  
Sheet 1 of 3

## Physical

**Insulation Material:** Glass Reinforced Polyester (PBT)

Insulation Flammability: UL 94V-0

Insulation Color: Black

**Contact Material:** Copper Alloy

**Plating:**

Underplating: 80 μ" [ 2.03 μm ] Nickel

Wiping Area: 30 μ" [ 0.76 μm ] Min. Gold over Nickel

Solder Tail Plating: Gold Flash over Nickel (RIA E1 & C1 apply)

**Body Material:** Zinc Alloy

**Body Plating:** Nickel

**Ground Lock Material:** Copper Alloy

**Plating:** Matte Tin

**Shroud and Latch Hook Material:** Steel

**Shroud and Latch Hook Plating:** Nickel

**Marking:** 3M Logo and Part Number

## Electrical

**Current Rating:** 1 A

**Insulation Resistance:**  $> 5 \times 10^8 \Omega$  at 500 V<sub>DC</sub>

**Withstanding Voltage:** 500 V<sub>RMS</sub> for 1 Minute

## Environmental

**Temperature Rating:** -55°C to +105°C

**Process Rating:** Solder Dip Test - 260°C for 10 sec, 2 times after 100°C max. preheat, 60 sec max. duration

UL File No.: E68080

**3M**

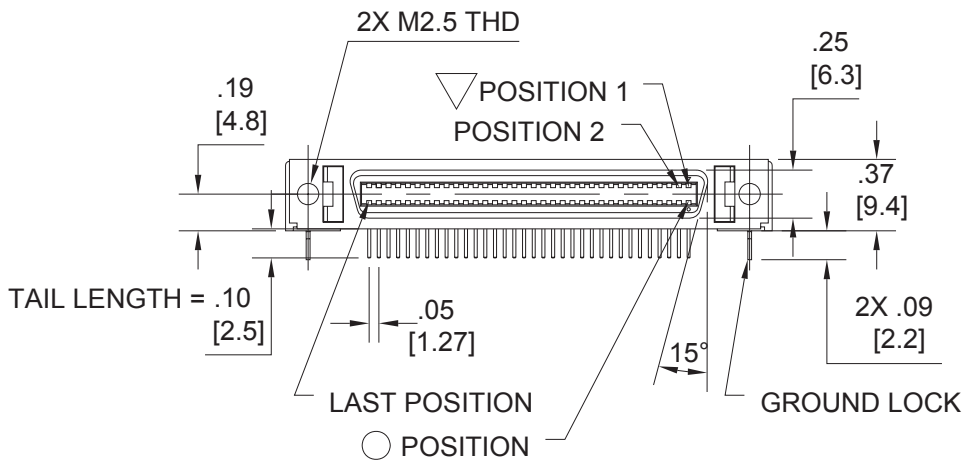
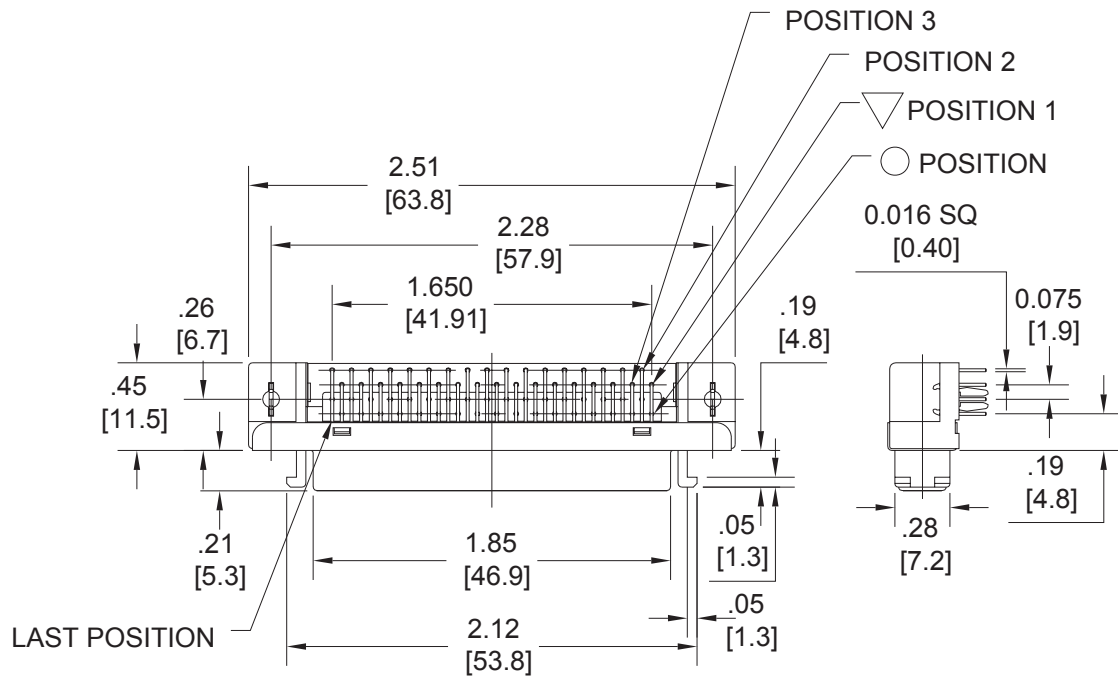
Electronic Solutions Division  
Interconnect Solutions  
<http://www.3M.com/interconnects/>

3M is a trademark of 3M Company.  
For technical, sales or ordering information call  
**800-225-5373**

# 3M™ Mini D Ribbon (MDR) Connectors

.050" Boardmount Through-Hole Right Angle Receptacle - Shielded, SCSI-2 Layout 102 Series

## 68 Position Receptacle



Inch (mm)			
Tolerance Unless Noted			
Inch	.0	.00	.000
Inch	±.1	±.01	±.005

( ) Dimensions used for Reference Only

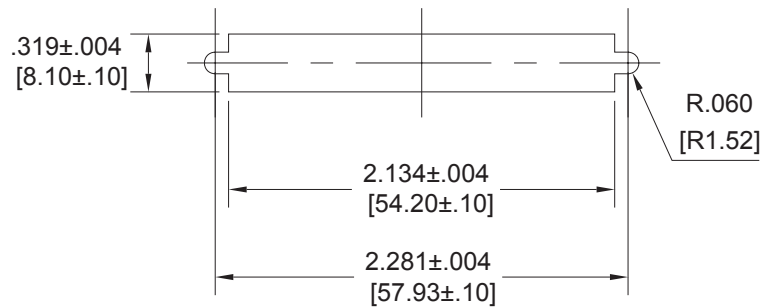
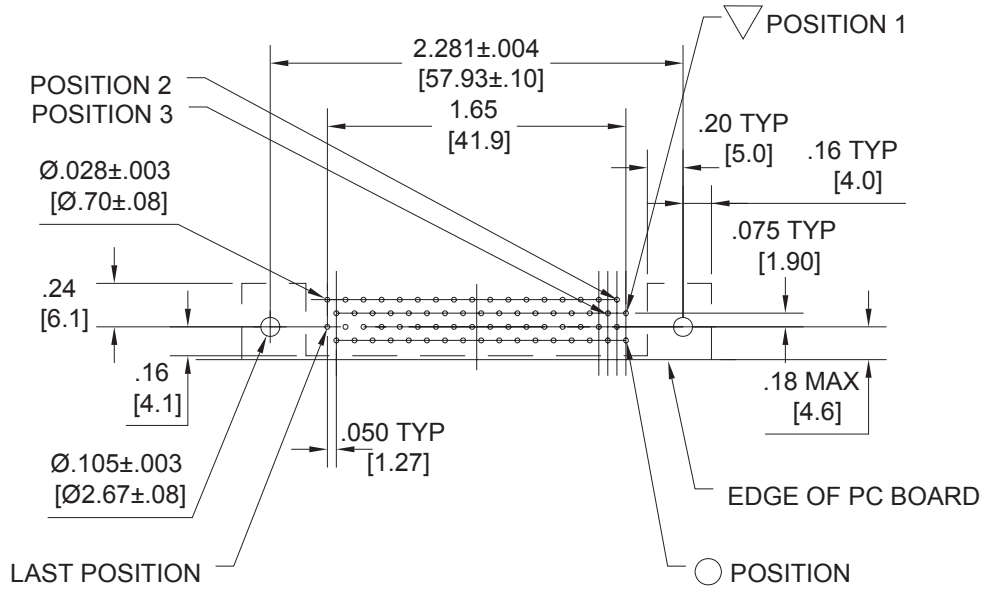


TS-2216-C  
Sheet 2 of 3

# 3M™ Mini D Ribbon (MDR) Connectors

.050" Boardmount Through-Hole Right Angle Receptacle - Shielded, SCSI-2 Layout 102 Series

## Recommended PC Board Layout



## Recommended Panel Cut-Out

Inch (mm)			
Tolerance Unless Noted			
	.0	.00	.000
Inch	±.1	±.01	±.005

( ) Dimensions used for Reference Only

Note: Panel thickness .079 [2.00] max.

## Ordering Information

**10268 - 5JBEP**

TS-2216-C  
Sheet 3 of 3

**Important Notice**

All statements, technical information, and recommendations related to 3M's products are based on information believed to be reliable, but the accuracy or completeness is not guaranteed. Before using this product, you must evaluate it and determine if it is suitable for your intended application. You assume all risks and liability associated with such use. Any statements related to the product which are not contained in 3M's current publications, or any contrary statements contained on your purchase order shall have no force or effect unless expressly agreed upon, in writing, by an authorized officer of 3M.

**Warranty; Limited Remedy; Limited Liability.**

This product will be free from defects in material and manufacture for a period of one (1) year from the time of purchase. **3M MAKES NO OTHER WARRANTIES INCLUDING, BUT NOT LIMITED TO, ANY IMPLIED WARRANTY OF MERCHANTABILITY OR FITNESS FOR A PARTICULAR PURPOSE.** If this product is defective within the warranty period stated above, your exclusive remedy shall be, at 3M's option, to replace or repair the 3M product or refund the purchase price of the 3M product. **Except where prohibited by law, 3M will not be liable for any indirect, special, incidental or consequential loss or damage arising from this 3M product, regardless of the legal theory asserted.**

**3M Electronics Solutions Division**

6801 River Place Blvd.  
Austin, TX 78726-9000  
U.S.A.  
1-800-225-5373  
www.3mconnectors.com

Please recycle. Printed in USA.  
© 3M 2009. All rights reserved.

3M is a trademark of 3M Company.