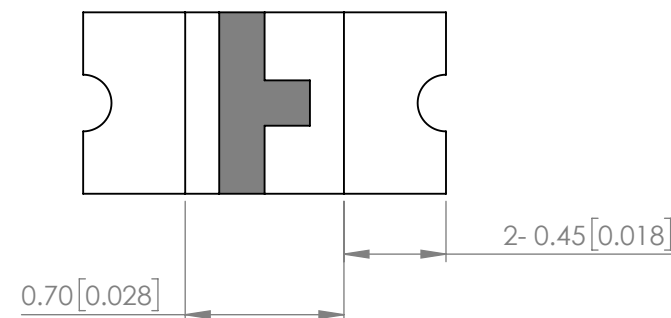
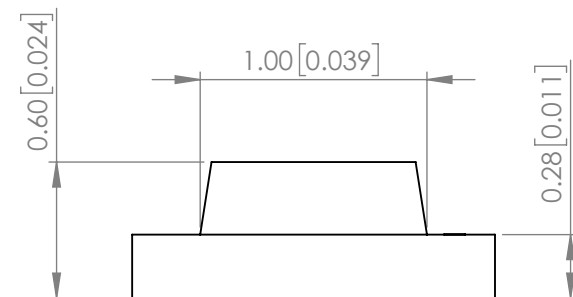
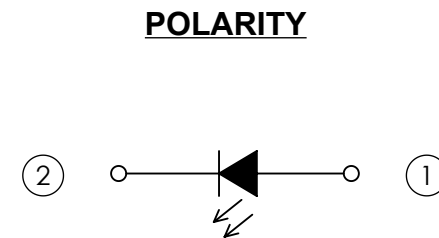
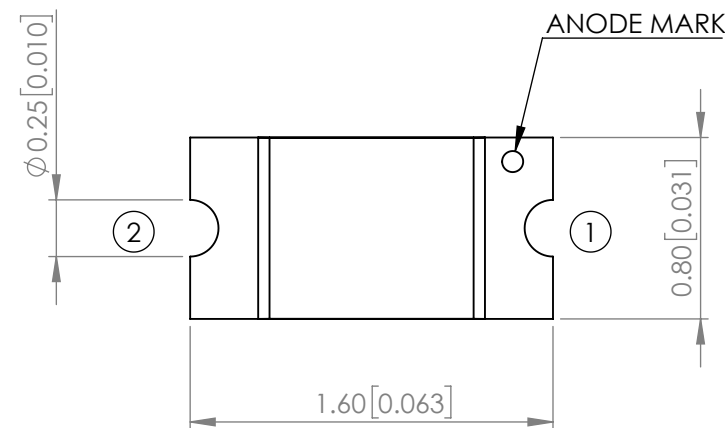
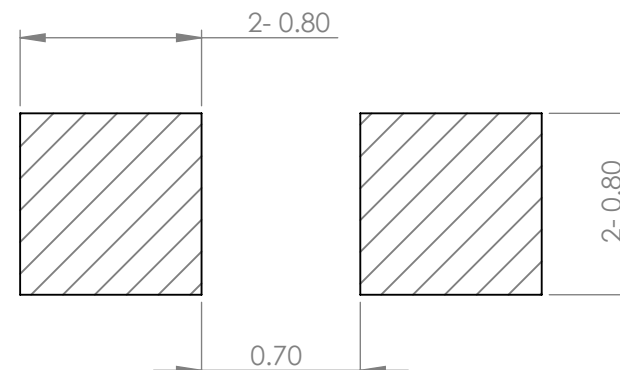


PART NUMBER		SML-LX0603SRW-TR	REV	L
REV	E.C.N. NUMBER AND REVISION COMMENTS			DATE
A	ECN # 10BRDR. & REDRAWN			09.17.97
B	E.C.N. #10644			09.30.98
C	E.C.N. #10933.			04.30.99
D	E.C.N. #10644			07.18.00
E	E.C.N. #10933.			12.03.02
F	E.C.N. #10967.			03.14.03
G	E.C.N. #11061.			11.20.03
H	E.C.N. #11148.			12.03.04
I	E.C.N. #11508.			05.27.08
J	ECN # 10BRDR.			09.26.11
K	ECN-Lumex201700006			03.08.17
L	ECN-Lumex201900133			11.06.19



RECOMMENDED SOLDER PAD LAYOUT



ELECTRO-OPTICAL CHARACTERISTIC TA=25°C

PARAMETER	MIN	TYP	MAX	UNITS	TEST COND
PEAK WAVELENGTH	-	660	-	nm	If=20mA
FORWARD VOLTAGE	-	1.7	2.2	Vf	If=20mA
REVERSE CURRENT	-	-	100	uA	VR=5V
LUMINOUS INTENSITY	-	15	-	mcd	If=20mA
VIEWING ANGLE	-	120	-	2x theta1/2	If=20mA
EMITTED COLOR	RED				
EPOXY LENS FINISH	MILKY WHITE DIFFUSED				

ABSOLUTE MAXIMUM RATINGS TA=25°C

PARAMETER	MAX	UNITS
PEAK FORWARD CURRENT*	40	mA
FORWARD CURRENT	20	mA
REVERSE VOLTAGE	5	V
POWER DISSIPATION	44	mW
STORAGE TEMPERATURE	-40 TO +100	°C
OPERATING TEMPERATURE	-40 TO +85	°C

*t<10us

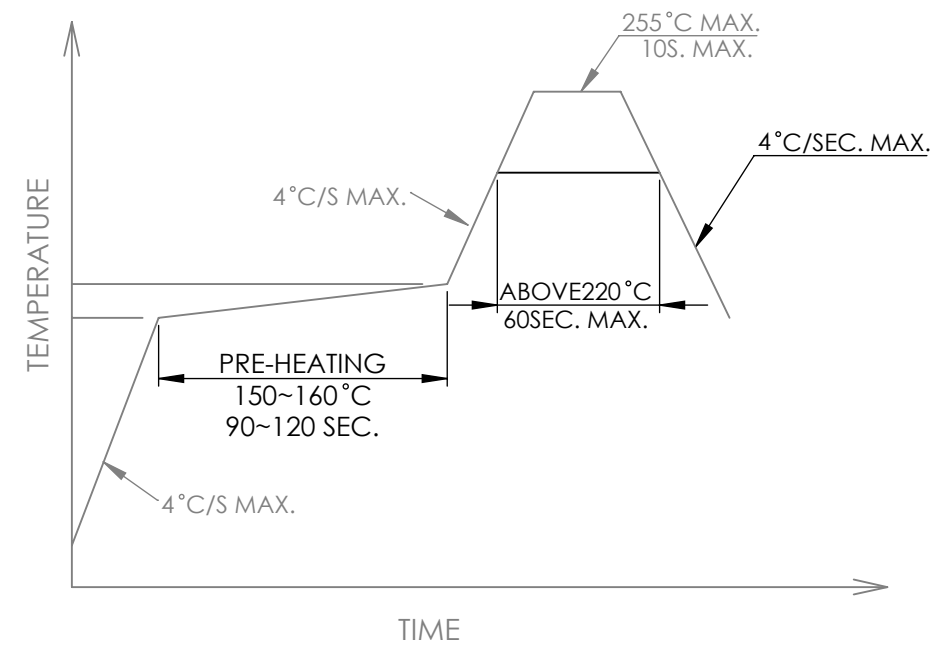
MOISTURE SENSITIVE DEVICE
PER JEDEC LEVEL 2a STANDARDS

STATIC DEVICE FOLLOW PROPER
E.S.D. HANDLING PROCEDURES
WHEN WORKING WITH THIS PART

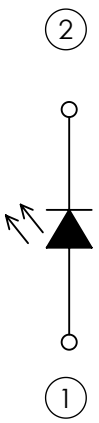
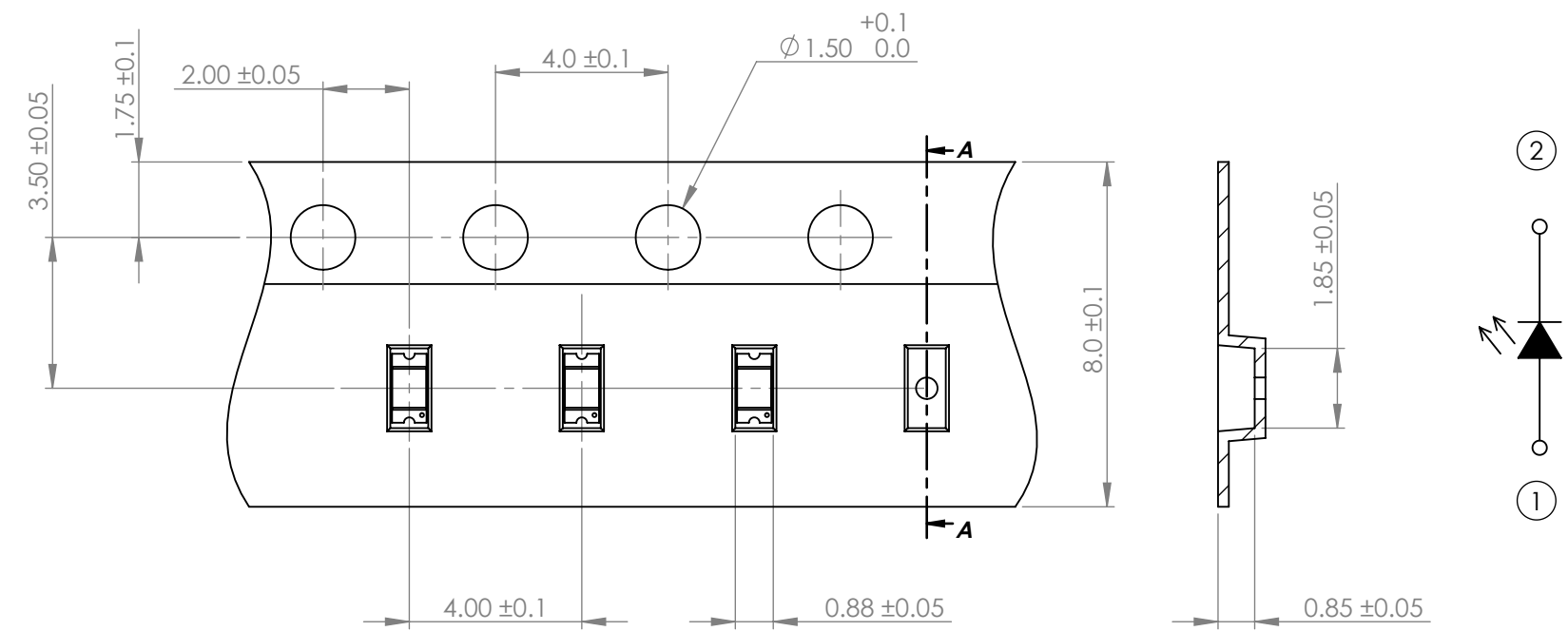
*UNLESS OTHERWISE SPECIFIED TOLERANCES PER DECIMAL PRECISION ARE: X=±1 (±0.039), X.X=±0.5 (±0.020), X.XX=±0.25 (±0.010), X.XXX=±0.127 (±0.005). LEAD SIZE=±0.05 (±0.002), LEAD LENGTH=±0.75 (±0.030). MIN.=^{+DECIMAL PRECISION}/_{-0.00} MAX.=^{+0.00}/_{-DECIMAL PRECISION}

<p>425 N. GARY AVE. CAROL STREAM, IL 60188 PHONE : 800-278-5666 FAX : 630-315-2150 WEB : WWW.LUMEX.COM</p>	1.6(L)*0.8(W)*0.6(H)mm, PCB CHIP, SURFACE MOUNT LED, 660nm RED LED, MILKY WHITE DIFFUSED LENS.	DATE : 2019.11.06	DRAWN BY : C.S.	
	THE SPECIFICATIONS MAY CHANGE AT ANY TIME WITHOUT NOTICE.	PAGE : 1 OF 2	CHKD BY : E.C.	
	CONFIDENTIAL INFORMATION	SCALE : NTF	APRVD BY : G.Y.	
	THE INFORMATION CONTAINED IN THIS DOCUMENT IS THE PROPERTY OF LUMEX INC. EXCEPT AS SPECIFICALLY AUTHORIZED IN WRITING BY LUMEX INC., THE HOLDER OF THIS DOCUMENT SHALL KEEP ALL INFORMATION CONTAINED HEREIN CONFIDENTIAL AND SHALL PROTECT SAME IN WHOLE OR IN PART FROM DISCLOSURE AND DISSEMINATION TO ALL THIRD PARTIES.	UNIT : mm [INCH]		


PROFILE



CARRIER TAPE DIMENSION



*UNLESS OTHERWISE SPECIFIED TOLERANCES PER DECIMAL PRECISION ARE: X=±1 (±0.039), X.X=±0.5 (±0.020), X.XX=±0.25 (±0.010), X.XXX=±0.127 (±0.005). LEAD SIZE=±0.05 (±0.002), LEAD LENGTH=±0.75 (±0.030). MIN= $\begin{matrix} +DECIMAL PRECISION \\ -0.00 \end{matrix}$ MAX= $\begin{matrix} +0.00 \\ -DECIMAL PRECISION \end{matrix}$

 <p>425 N. GARY AVE. CAROL STREAM, IL 60188 PHONE : 800-278-5666 FAX : 630-315-2150 WEB : WWW.LUMEX.COM</p>	1.6(L)*0.8(W)*0.6(H)mm, PCB CHIP, SURFACE MOUNT LED, 660nm RED LED, MILKY WHITE DIFFUSED LENS.		DATE : 2019.11.06	DRAWN BY : C.S.
	THE SPECIFICATIONS MAY CHANGE AT ANY TIME WITHOUT NOTICE.		PAGE : 2 OF 2	CHKD BY : E.C.
	CONFIDENTIAL INFORMATION		SCALE : NTF	APRVD BY : G.Y.
	THE INFORMATION CONTAINED IN THIS DOCUMENT IS THE PROPERTY OF LUMEX INC. EXCEPT AS SPECIFICALLY AUTHORIZED IN WRITING BY LUMEX INC., THE HOLDER OF THIS DOCUMENT SHALL KEEP ALL INFORMATION CONTAINED HEREIN CONFIDENTIAL AND SHALL PROTECT SAME IN WHOLE OR IN PART FROM DISCLOSURE AND DISSEMINATION TO ALL THIRD PARTIES.		UNIT : mm [INCH]	(No)