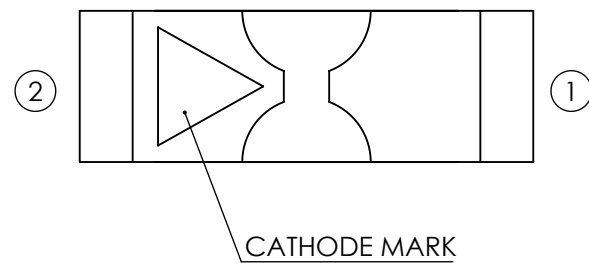
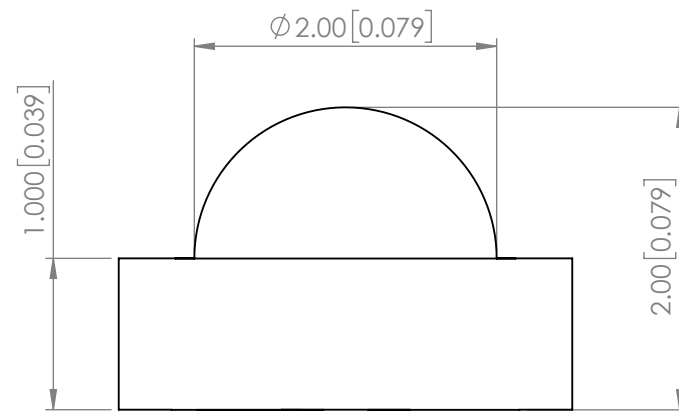
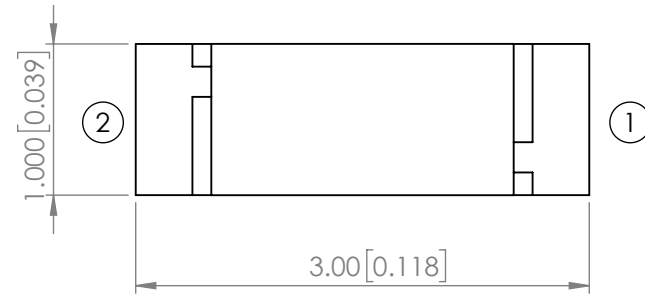
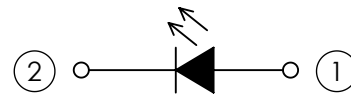


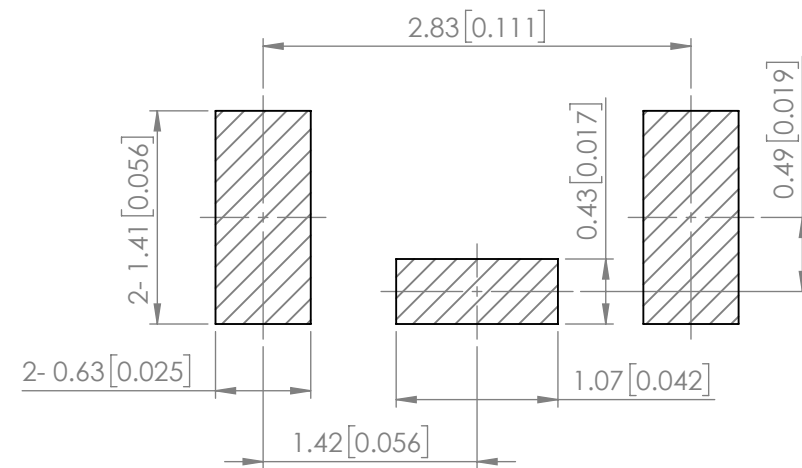
|                    |  |             |   |
|--------------------|--|-------------|---|
| <b>PART NUMBER</b> | SML-LXR851SGC-TR                           | <b>REV</b>  | C |
| <b>REV</b>         | <b>E.C.N. NUMBER AND REVISION COMMENTS</b> | <b>DATE</b> |   |
| A                  | E.C.N. #10967.                             | 05.16.02    |   |
| B                  | E.C.N. #11710/10BRDR. & REDRAWN.           | 09.07.04    |   |
| C                  | ECN-Lumex201800162                         | 10.22.18    |   |



**POLARITY**



**RECOMMENDED SOLDER PAD LAYOUT**



**ELECTRO-OPTICAL CHARACTERISTIC TA=25°C**

| PARAMETER          | MIN         | TYP | MAX | UNITS       | TEST COND |
|--------------------|-------------|-----|-----|-------------|-----------|
| PEAK WAVELENGTH    | -           | 570 | -   | nm          | If=20mA   |
| FORWARD VOLTAGE    | -           | 2.1 | 2.4 | Vf          | If=20mA   |
| REVERSE CURRENT    | -           | -   | 10  | uA          | VR=5V     |
| LUMINOUS INTENSITY | -           | 16  | -   | mcd         | If=20mA   |
| VIEWING ANGLE      | -           | 120 | -   | 2x theta1/2 | -         |
| EMITTED COLOR      | GREEN       |     |     |             |           |
| EPOXY LENS FINISH  | WATER CLEAR |     |     |             |           |

**ABSOLUTE MAXIMUM RATINGS TA=25°C**

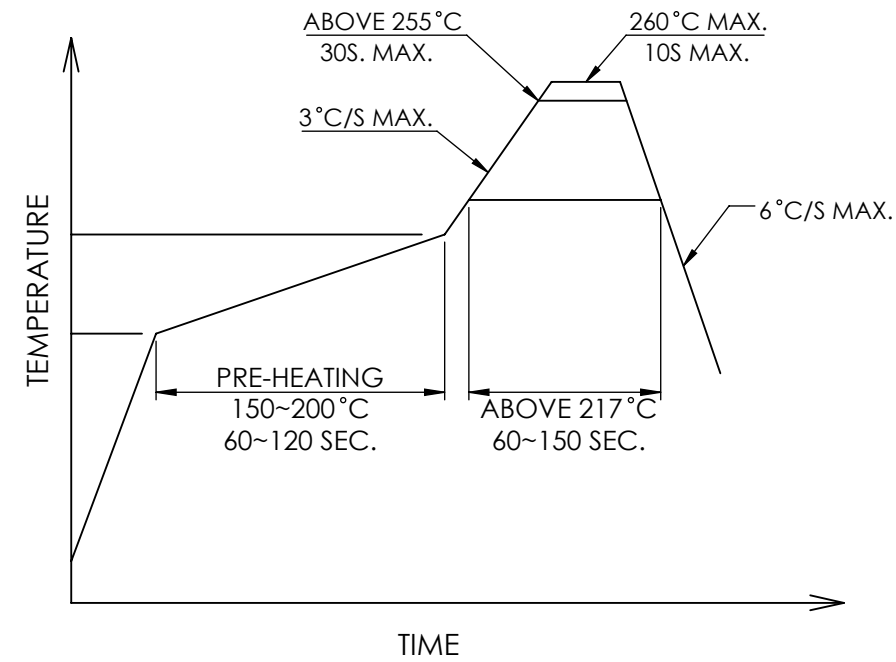
| PARAMETER              | MAX              | UNITS |
|------------------------|------------------|-------|
| PEAK FORWARD CURRENT * | 60               | mA    |
| FORWARD CURRENT        | 30               | mA    |
| REVERSE VOLTAGE        | 5                | V     |
| POWER DISSIPATION      | 72               | mW    |
| STORAGE TEMPERATURE    | -40 TO +90       | °C    |
| OPERATING TEMPERATURE  | -40 TO +85       | °C    |
| SOLDERING TEMPERATURE  | 3 SEC. MAX @ 260 | °C    |

\*t<10us

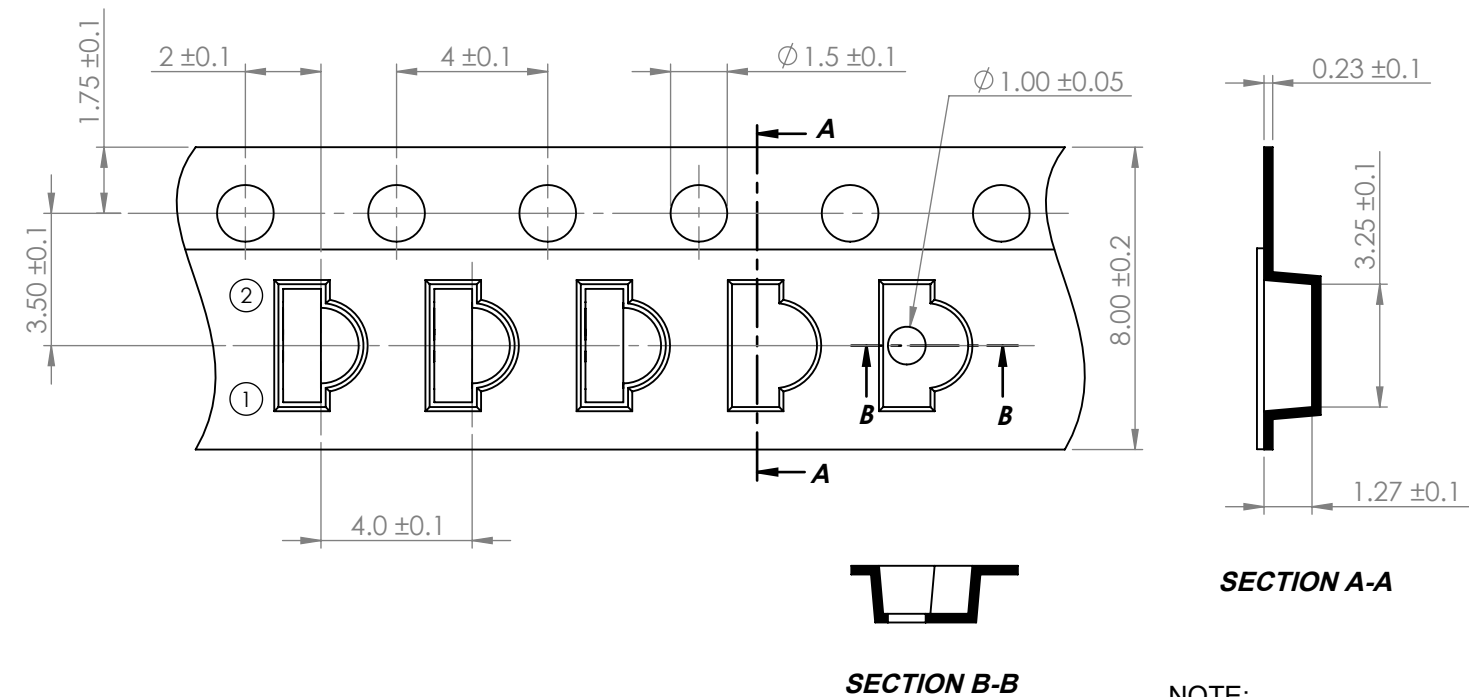
MOISTURE SENSITIVE DEVICE  
PER JEDEC LEVEL 3 STANDARDS

\*UNLESS OTHERWISE SPECIFIED TOLERANCES PER DECIMAL PRECISION ARE: X=±1 (±0.039), X.X=±0.5 (±0.020), X.XX=±0.25 (±0.010), X.XXX=±0.127 (±0.005). LEAD SIZE=±0.05 (±0.002), LEAD LENGTH=±0.75 (±0.030). MIN= <sup>+DECIMAL PRECISION</sup>/<sub>-0.00</sub> MAX= <sup>+0.00</sup>/<sub>-DECIMAL PRECISION</sub>

**PROFILE**




**CARRIER TAPE DIMENSION**



NOTE:  
1. 2000 PCS/REEL

\*UNLESS OTHERWISE SPECIFIED TOLERANCES PER DECIMAL PRECISION ARE: X=±1 (±0.039), X.X=±0.5 (±0.020), X.XX=±0.25 (±0.010), X.XXX=±0.127 (±0.005). LEAD SIZE=±0.05 (±0.002), LEAD LENGTH=±0.75 (±0.030). MIN= <sup>+DECIMAL PRECISION</sup> -0.00 MAX.= <sup>+0.00</sup> -DECIMAL PRECISION

|   |   |  |                   |                 |
|---|---|--|-------------------|-----------------|
|  <p>425 N. GARY AVE.<br/>CAROL STREAM, IL 60188<br/>PHONE : 800-278-5666<br/>FAX : 630-315-2150<br/>WEB : WWW.LUMEX.COM</p> | 3.0(L)*1.0(W)*2.0(H)mm, SURFACE MOUNT SIDE VIEW LED, GaP 570nm GREEN LED, WATER CLEAR LENS, TAPE & REEL.  |  | DATE : 2018.10.22 | DRAWN BY : C.C. |
|   | **THE SPECIFICATIONS MAY CHANGE AT ANY TIME WITHOUT NOTICE.**   |  | PAGE : 2 OF 2     | CHKD BY : E.C.  |
|   | CONFIDENTIAL INFORMATION<br>THE INFORMATION CONTAINED IN THIS DOCUMENT IS THE PROPERTY OF LUMEX INC. EXCEPT AS SPECIFICALLY AUTHORIZED IN WRITING BY LUMEX INC., THE HOLDER OF THIS DOCUMENT SHALL<br>KEEP ALL INFORMATION CONTAINED HEREIN CONFIDENTIAL AND SHALL PROTECT SAME IN WHOLE OR IN PART FROM DISCLOSURE AND DISSEMINATION TO ALL THIRD PARTIES. |  | SCALE : NTF       | APRVD BY : G.Y. |
|   |   |  | UNIT : mm [INCH]  | (No)            |