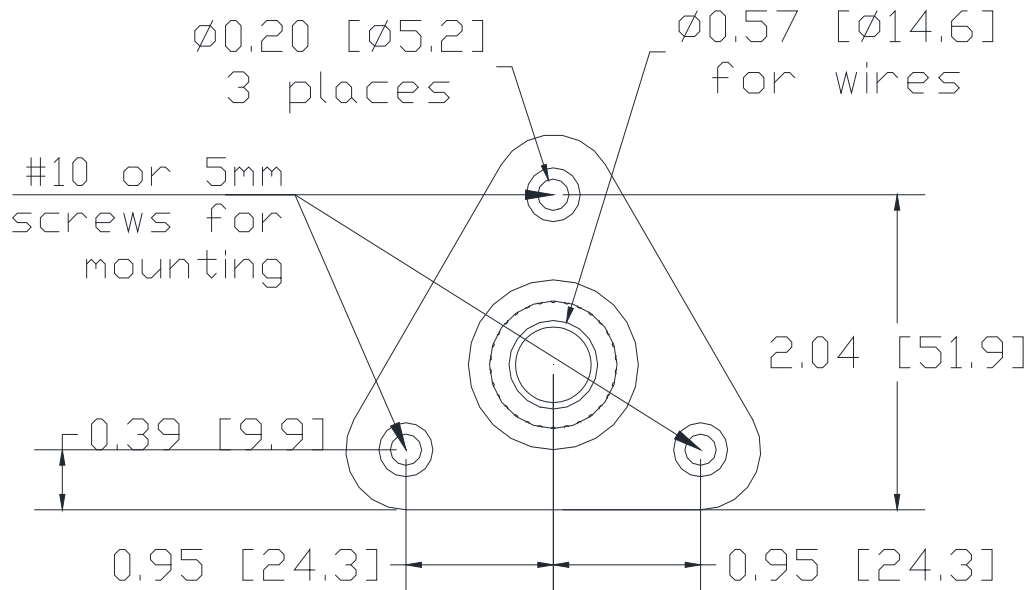


Mounting Bracket

Dimensions: inches[mm]

Assembly Procedure

Thread J-POLE-S or J-POLE-E into Mounting Bracket. Place a J-GASKET onto surface shown for Sealing.

Accepts 1/2" NPT Pipe Thread

Material: ABS777D

UL50, C22.2 No.94, NEMA Type 3R, 4X, & 12, and IP66 approved, RoHS compliant, Gasket.