

3M™ Formaldehyde Diffusion Monitor 3720/3721

Overview/Benefits

- Simple and convenient.
- No batteries, hoses or pumps to operate.
- Easy to use. Just clip the monitor to shirt lapel, collar, or pocket.
- Versatile. 3M monitors can also be used for area monitoring, if sufficient air flow exists.
- Analysis options. 3M monitors can be analyzed in the lab of your choice or returned to a 3M contracted lab for analysis.
- Confidence. Our testing facilities are accredited by the American Industrial Hygiene Association.
- Comfort. 3M monitors are small and lightweight and will not interfere with employee activities.

The 3M™ Formaldehyde Diffusion Monitors, 3720/3721 are designed to measure time weighted average concentration of formaldehyde gas. It can be used for either personal or area monitoring. As a personal monitor, it is worn near the breathing zone of individuals exposed to formaldehyde gas. When used as an area monitor, hang it away from walls, corners, table tops, or other regions where the air movement in the room may be limited.



Product Information

3720 – Includes prepaid analysis (NOT sold in Canada). 3M Monitor analysis services will be provided by an American Industrial Hygiene Association (AIHA®) Accredited Laboratory.

3721 – Does NOT include prepaid analysis. A detailed analysis procedure is available from 3M.

Meets OSHA accuracy requirements of +/-25% for 8-hour formaldehyde sampling, but NOT designed for 15 minute short-term exposure limit (STEL) sampling.

Storage: The 3720/3721 must be stored in an area free from formaldehyde at temperatures not exceeding 90°F/32°C.

Shelf life 18 months from date of manufacture. Expiration date is printed on packaging in a MM_YY format.

For more information, please call 3M Technical Service at 1-800-243-4630 or see the User Instructions.

Assembly Instructions

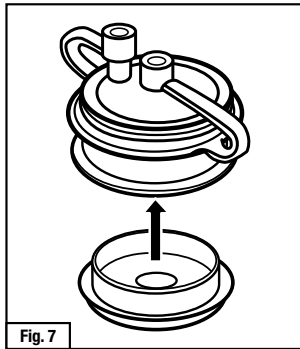
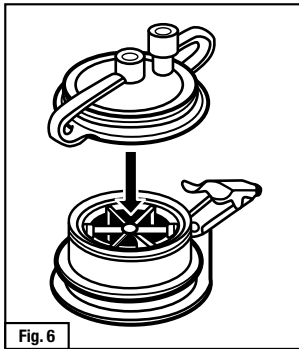
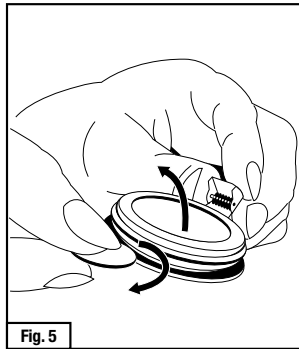
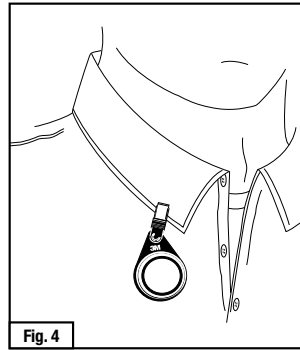
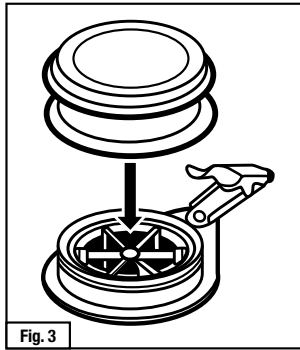
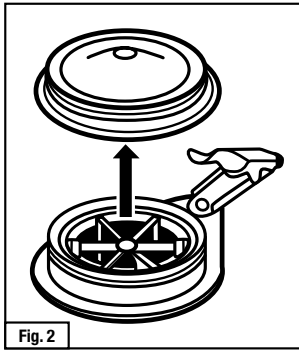
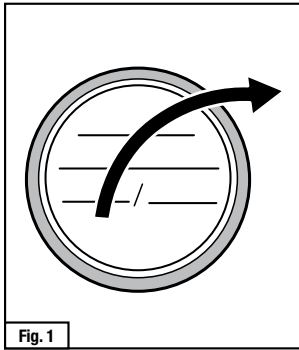
Remove the plastic lid from the top can. Open both cans by grasping the ring tabs and pulling up. Examine the contents carefully to make sure all of the parts listed below are included.

TOP CAN

1. Pour spout (short plastic straw).
2. Elution cap (clear plastic with plugs).
3. Top section (purple with white membrane on top).
4. Bottom cup (clear plastic with white label).

BOTTOM CAN

1. Bottom section (purple with metal clip).
2. Moisture retaining cap (clear plastic).



Sampling Instructions

1. Before monitoring, record the following information in your data log and on the enclosed form:
 - 1) monitor serial number,
 - 2) sampling date,
 - 3) employee or area ID,
 - 4) temperature and relative humidity.
2. Record the date, employee or area ID and sampling start time on the label on the bottom cup. Remove the bottom cup and set it aside until after sampling is completed (Fig. 1).
3. Remove the moisture retaining cap from the bottom section of the monitor (Fig. 2). Discard this moisture retaining cap. Proceed immediately to step 4.
4. Snap the top and bottom sections of the monitor together (Fig. 3).
DO NOT REMOVE WHITE FILM AND PLASTIC RING FROM THE TOP SECTION.
5. Attach the monitor near the breathing zone of the individual for personal sampler (Fig. 4). When used as an area monitor, hang it away from walls, corners, table tops, or other regions where the air movement in the room may be limited.
6. After sampling period is ended, remove plastic ring and white film from the top section (Fig. 5).
MOVE TO STEP 7 IMMEDIATELY.
7. Snap the elution cap (with plugs) onto the top section of the monitor (Fig. 6). Snap both plugs on the elution cap.
8. Separate the top and bottom sections of the monitor and discard the bottom section (with metal clip). Snap the bottom cup (that was previously set aside) into the bottom of the top section (Fig. 7). Please be sure the cup is snapped securely. Record the end time on the label on the bottom cup. Record on your data log the number of hours and minutes the monitor was exposed. Return monitor and pour spout to can and close with plastic lid provided. If using a 3720 Monitor, send the monitor plus the completed analysis request form to:
EMSL Analytical, Inc.
3410 Winnetka Avenue North
Minneapolis, MN 55427

Good industrial hygiene practice indicates that a blank monitor be included with each set of samples to check for any contamination of the samples. The blank is a monitor which has been handled in the same manner as the sample monitors, but has not been exposed to the atmosphere in the area being monitored.

IMPORTANT: The 3721 Monitor is meant to be analyzed by the user or by an independent laboratory. **DO NOT RETURN TO 3M or Pace Analytics FOR ANALYSIS.**

For more information, please contact 3M Technical Service at 1-800-243-4630.

Reading the Report

The "Concentration" Column (circled) is where you will find the average concentration based upon the amount found by the lab and the time that you reported. This average may be converted to an 8-hour time weighted average if you wish to compare it against an 8-hour exposure limit.

Scenario 1:

Sample was for 6 hours and worker was not exposed to contaminants for the remaining 2 hours. The 8-hour TWA may be determined using the following equation:

$(\text{Report Concentration} \times 6 \text{ hours}) / 8 \text{ hours}$

Scenario 2:

Sample was for 6 hours, but worker has the same exposure for the remaining 2 hours. Since the exposure in the remaining 2 hours is the same, the report concentration will be the same as the 8-hour TWA.

Exposure levels may be entered into the 3M™ Select Software on 3M.com/ServiceLifeSoftware to determine appropriate respirator choices or to help determine cartridge change schedules.

Your returned Monitor Analysis Report will look like this:

3M Diffusional Monitor Analysis Report

EMSL Analytical, Inc.
1830 Elm St. SE
Minneapolis, MN 55414

Report Number: Page 1 of 1
No. of Monitors: 2 Test Method Used: 3M OVM Monitor
Analysis Performed: Data Report Date: Data
Analyzed By: Analytic Name

Client: Company Name
Client Contact
Address
City, State Zip

User Identification	Monitor Code	Sampling Date	Sampling Time	Weight Micrograms	Concentration		Footnote	
		Compound(s)			mg/m ³	PPM		
Monitor 1	MC9261	11/2/16	615 min.	Ethyl Benzene	178	10.2	2.36	gg2, ib
				Methyl Ethyl Ketone	<3.00	<0.145	<0.0494	gg2
				Toluene	2250	114	30.2	gg2
Monitor 2	MC9495	11/2/16	370 min.	Acetone	272	21.8	9.18	gg2, ib
				Cyclohexanone	<2.99	<0.311	<0.0774	gg2
				n-Butyl Acetate	332	27.6	5.82	gg2

The samples associated with this report were received in good condition unless otherwise noted. This report relates only to those items tested as received by the laboratory. The QC data associated with the sample results meet the recovery and precision requirements established by the laboratory, unless specifically indicated. The final results are not field blank corrected, unless otherwise noted. The laboratory is not responsible for final results calculated using sampling times that have been provided by non-laboratory personnel. This report may not be reproduced except in full and without written approval by EMSL Analytical, Inc.

Footnote:
 < = This analyte not detected at or above the reported limit.
 gg2 The sample was authorized for analysis past the method specified holding time.
 ib Unidentified compounds are present in the sample.

3M warrants only the accuracy of the sampling/analytical methods and the data obtained thereby. 3M disclaims responsibility for any comparisons of test data to any existing or future health and safety standards as to whether such standards are or are not adequate to insure the safety of persons or property.

Important Notice to User
 The following warranty is made in lieu of all other warranties express or implied, including but not limited to the implied warranties of merchantability and fitness for purpose: 3M Personal Safety Division (3M PSD) products sold will meet the physical standards and properties set forth in the applicable product specification data sheets issued by 3M. 3M's only obligation under this warranty shall be to replace such quantity of 3M PSD products proved to be defectively manufactured by failing to meet the aforementioned specifications data sheets, and to be responsible for any third party personal injuries directly caused by said defect. Except as provided above 3M shall not be liable or responsible for any loss, damage, or liability, direct, indirect, incidental, special or consequential, arising out of the sale, use or misuse, or the inability to use products by the user.

Report/EPT 01.04

Please review the user instructions packaged with the product or contact 3M Technical Service at 1-800-243-4630 if you have any questions or require additional information.

WARNING

Do Not Use For:

- Ammonia, Carbon Monoxide; Ethylene Oxide*; Organic Vapors#; Hydrogen Sulfide; Isocyanates; Methane; Ethane; Propane; Methyl Alcohol (Methanol); Methyl Chloride; Methyl, Dimethyl, Trimethyl Amines; Organic Solids; Sulfur Dioxide
 - Reactive or polar compounds such as amines, phenols, aldehydes, and low molecular weight alcohols
 - Extremely low concentrations within a sampling period of less than 8 hours
- *Ethylene Oxide can be monitored using 3M™ Ethylene Oxide Monitor 3550/3551.
 #Certain organic vapors can be monitored using 3M™ Organic Vapor Monitors 3500/3510/3520/3530.
 For product use instructions and limitations, see User Instructions Guide.



Personal Safety Division
 3M Center, Building 0235-2W-70
 St. Paul, MN 55144-1000

For more information: In U.S.

Technical Assistance 1-800-243-4630
 Customer Care Center 1-800-328-1667
 3M.com/WorkerSafety

In Canada

Technical Assistance 1-800-267-4414
 Customer Care 1-800-364-3577
 3M.ca/Safety

3M and all other trademarks used herein are trademarks of 3M Company, used under license in Canada.
 © 3M 2019. All rights reserved.