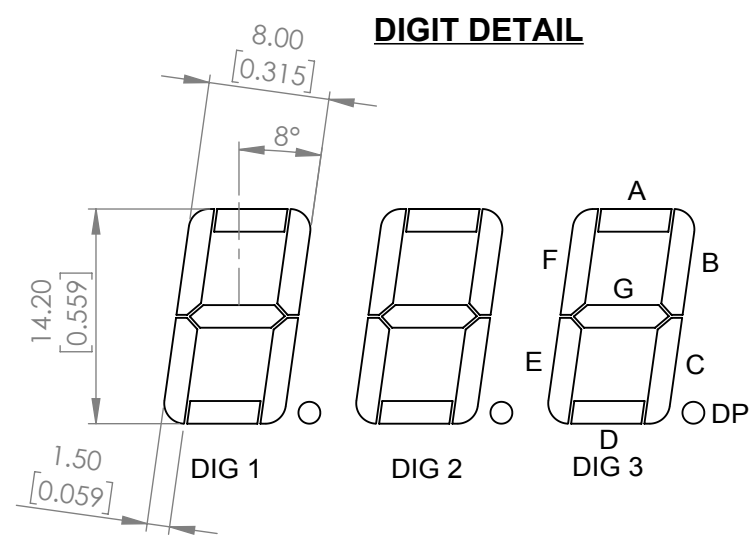
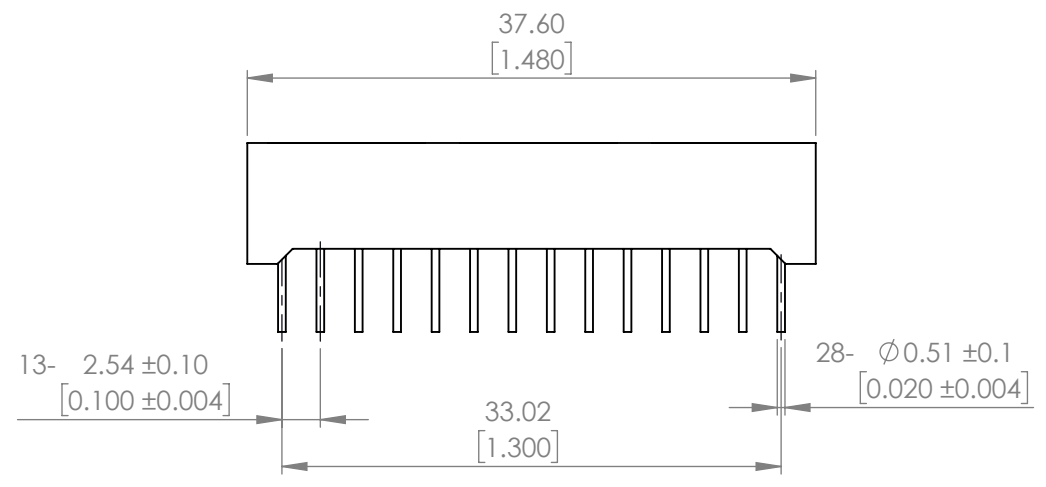
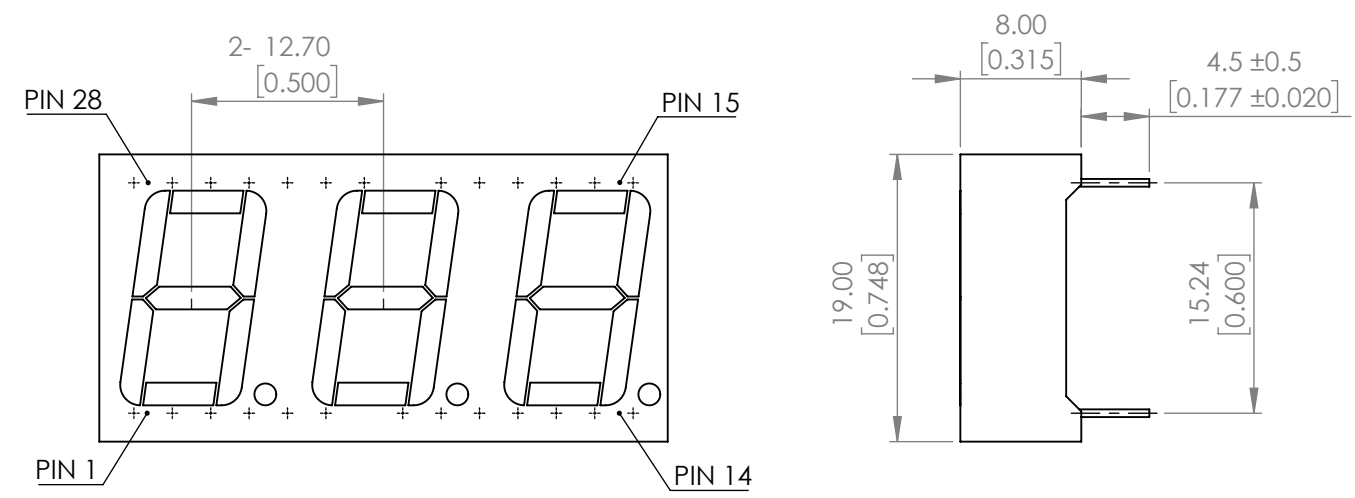


| | | | | |
|-------------|-------------------------------------|------------|-----|----------|
| PART NUMBER | | LDT-A514RI | REV | D |
| REV | E.C.N. NUMBER AND REVISION COMMENTS | | | DATE |
| A | E.C.N. #10BRDR. & REDRAWN | | | 04.22.98 |
| B | E.C.N. #11148 | | | 08.14.07 |
| C | E.C.N. #10BRDR. & REDRAWN | | | 09.14.11 |
| D | ECN-Lumex201700033 | | | 07.13.17 |



ELECTRO-OPTICAL CHARACTERISTIC TA=25°C PER SEGMENT

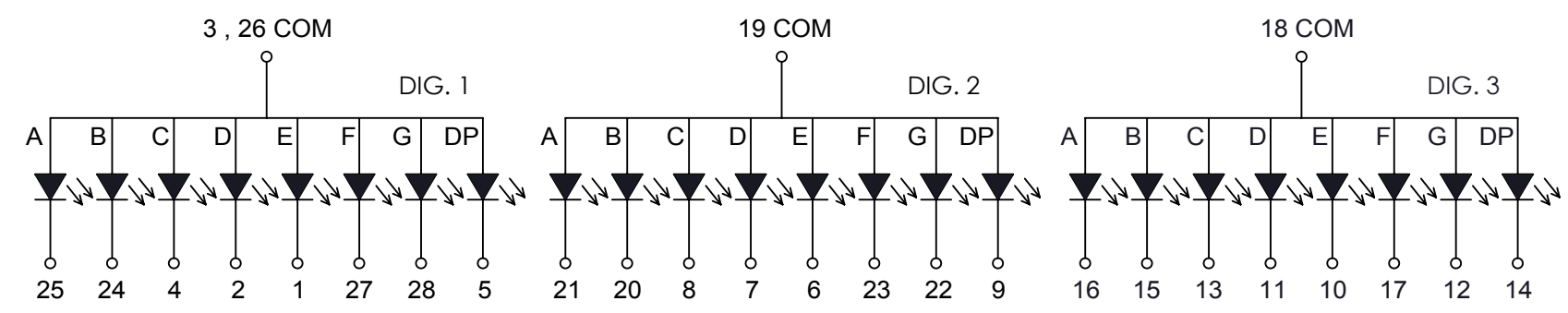
| PARAMETER | MIN | TYP | MAX | UNITS | TEST COND |
|--------------------|-------------|------|-----|-------|-----------|
| PEAK WAVELENGTH | - | 635 | - | nm | If=20mA |
| FORWARD VOLTAGE | - | 2.0 | 2.6 | Vf | If=10mA |
| REVERSE VOLTAGE | - | - | 5 | Vr | Ir=100uA |
| LUMINOUS INTENSITY | - | 4500 | - | ucd | If=10mA |
| EMITTED COLOR | RED | | | | |
| FONT COLOR | GRAY | | | | |
| SEGMENT COLOR | MILKY WHITE | | | | |

ABSOLUTE MAXIMUM RATINGS TA=25°C PER SEGMENT

| PARAMETER | MAX | UNITS |
|-------------------------|-----------------|-------|
| PEAK FORWARD CURRENT* | 100 | mA |
| FORWARD CURRENT | 25 | mA |
| POWER DISIPATION | 65 | mW |
| STORAGE TEMPERATURE | -40 TO +85 | °C |
| OPERATING TEMPERATURE | -40 TO +85 | °C |
| SOLDERING TEMPERATURE** | 3 SEC MAX. @260 | °C |

* t<10us
 ** AT 2mm DISTANCE FROM THE CASE OF REFLECTOR EDGE.

POLARITY



*UNLESS OTHERWISE SPECIFIED TOLERANCES PER DECIMAL PRECISION ARE: X=±1 (±0.039), X.X=±0.5 (±0.020), X.XX=±0.25 (±0.010), X.XXX=±0.127 (±0.005). LEAD SIZE=±0.05 (±0.002), LEAD LENGTH=±0.75 (±0.030). MIN= ^{+DECIMAL PRECISION}/_{-0.00} MAX.= ^{+0.00}/_{-DECIMAL PRECISION}