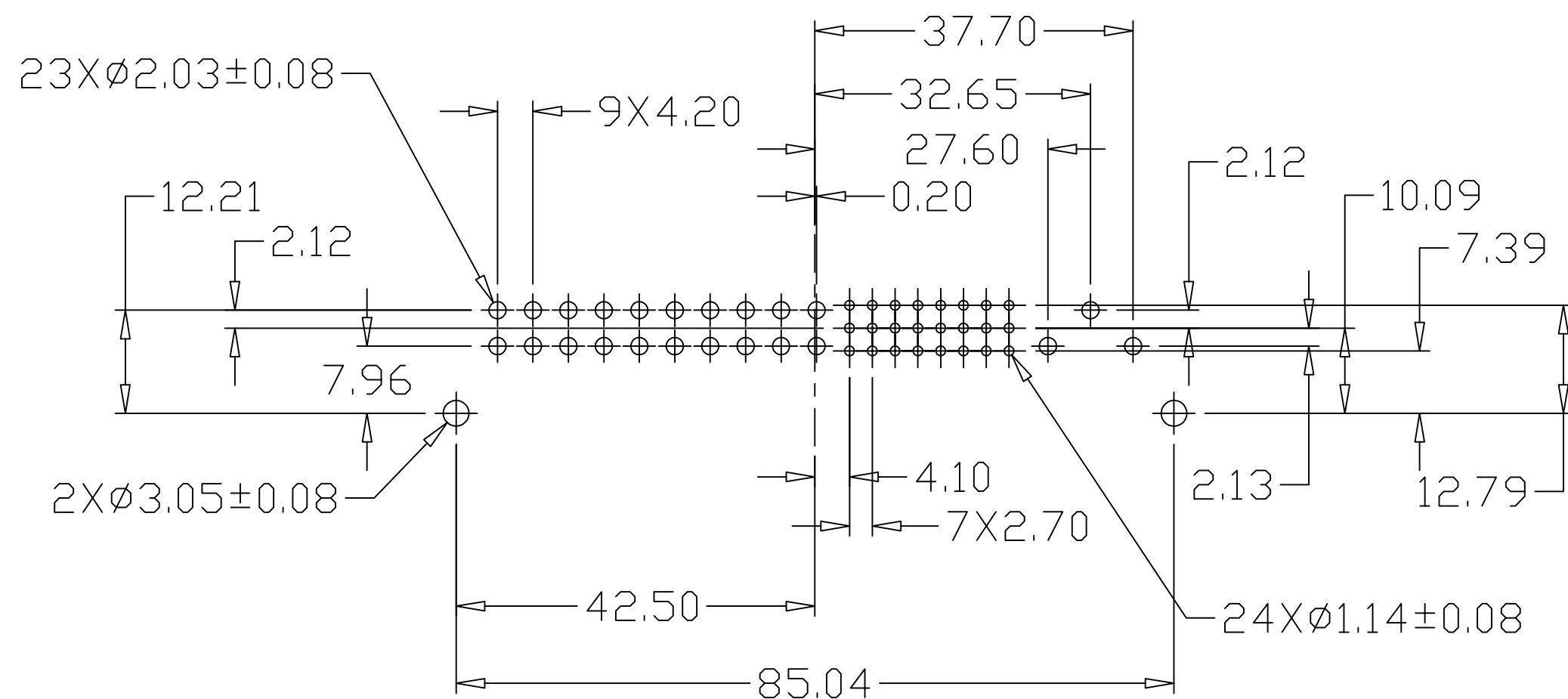
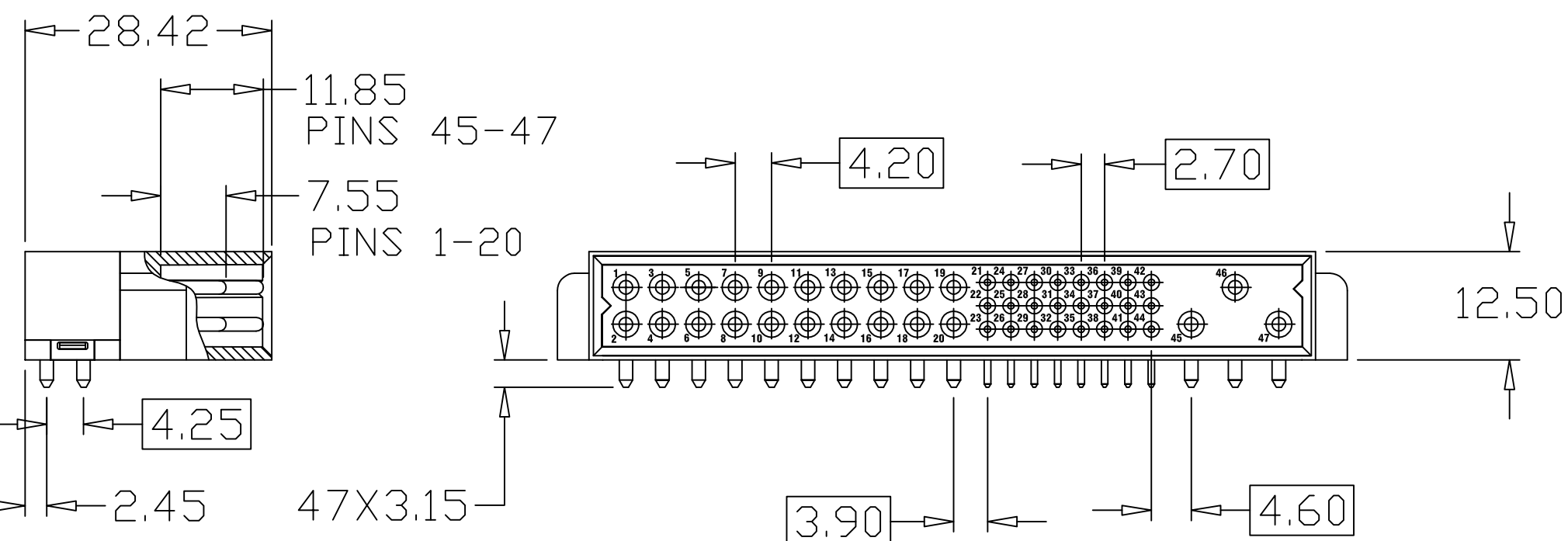
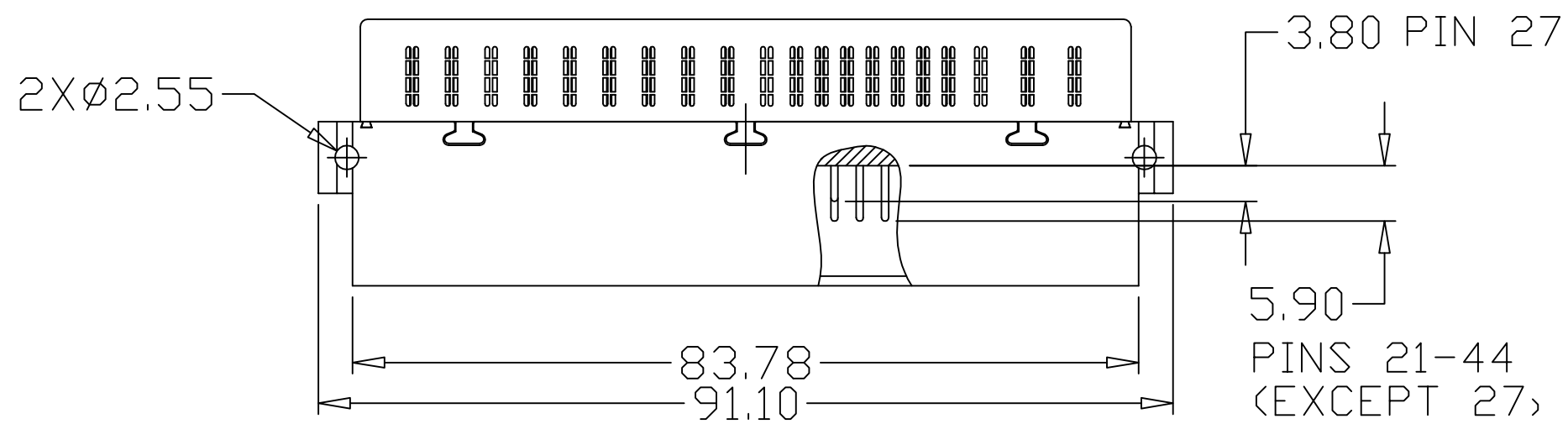


3M™ POWER RIGHT ANGLE MALE CONNECTOR FOR CPCI APPLICATIONS, 47 POSITION

- NOTES:
- MATERIALS:
 - A: HOUSING: GLASS FILLED POYESTER (PBT), UL 94V-0 COLOR BLACK
 - B: CONTACT: COPPER ALLOY, GOLD PLATING
 - PLATING: -ES
FINISH: 0.76um MIN Au
UNDERCOAT: 1.27um MIN Ni

-G
FINISH: 0.25um MIN Au
UNDERCOAT: 1.27um MIN Ni

-DA
FINISH: 0.08um MIN Au
UNDERCOAT: 1.27um MIN Ni
 - ELECTRICAL CHARACTERISTICS
ELECTRICAL FEATURES:
INSULATION RESISTANCE ----- 10¹⁰ OHMS
INITIAL CONTACT RESISTANCE:
POWER CONTACT ----- 0.7 MILLISECS MAX
SIGNAL CONTACT ----- 4.0 MILLISECS MAX
VOLTAGE PROOF:
POWER 1 THRU 20 ----- 1500 VRMS
POWER 45,46,47 ----- 3000 VRMS
POWER 21 THRU 44 ----- 1000 VRMS
CURRENT RATING:
DC OUTPUT POWER 1 THRU 20 ----- 16 AMPS
INPUT POWER 45,46,47 ----- 23 AMPS
SIGNAL CONTACTS ----- 2 AMPS
MINIMUM CREEPAGE DISTANCE [MM]
POWER 47 TO 45 ----- 3.2
POWER 46 TO 45 ----- 3.2
POWER 47 TO SIGNAL ----- 6.4
POWER 46 TO SIGNAL ----- 6.4
POWER 47 TO 46 ----- 2.5
POWER 45 TO SIGNAL ----- 2.0
 - SEE THE REGULATORY INFORMATION APPENDIX (RIA) IN THE "RoHS COMPLIANCE" SECTION OF: WWW.3MCONNECTOR.COM FOR COMPLIANCE INFORMATION (RIA E1 & C1 APPLY).
 - TEMPERATURE RATING: -55 TO +125C
 - IN THE EVENT OF CONFLICT BETWEEN THIS DATA AND THAT CONTAINED IN THE PRODUCT SPEC., THE PRODUCT SPEC. TAKES PRECEDENT.
 - PART No.: 3P01-2002-XX
-XX IS PLATING TYPE
 - FOR MATING PRODUCT USE:
3P02-200X-XX CPCI POWER BACKPLANE FEMALE CONNECTOR 47 POSITIONS
 - PC BOARD THICKNESS:
MINIMUM: 1.60mm MAXIMUM: 3.00mm



RECOMMENDED PC BOARD REQUIREMENTS
(COMPONENT SIDE OF BOARD SHOWN)

DESIGN REFERENCE	NEXT ASSEMBLY	REV	ECO	ISSUE DATE AND DESCRIPTION	DRFT	CHKD
		ML		DATE 12/16/10	MFG	DATE
		TS		DATE 12/16/10	APPVL	DATE
DIVISION	DIVISION CODE	3M Center St. Paul, MN 55144		© 3M COPYRIGHT This document is the copyrighted property of the 3M Company and may not be reproduced without 3M written permission or used for other than 3M authorized purposes.		
DO NOT SCALE DRAWING	SCALE	TOLERANCES EXCEPT AS NOTED		TITLE 3P01-2002-XX CPCI POWER RIGHT ANGLE MALE CONNECTOR 47 POSITIONS		
THIRD ANGLE PROJECTION		INCHES .0 ± * .00 ± * .000 ± * .0000 ± *		CAGE NUMBER C		
INTERPRET PER ASME Y14.5 - 1994		MILLIMETERS 0 ± * .0 ± 0.30 .00 ± 0.20 .000 ± 0.10		DRAWING NO. 78-5100-2374-6		REV. C
MAX SURFACE ROUGHNESS ☐ ALL SURFACES ☑ MARKED ONLY		ANGLES ± 1°		MODEL		DET. LISTS ☐ YES ☐ NO SHT 1 OF 1

REVISION
DRAWING NUMBER

B

A