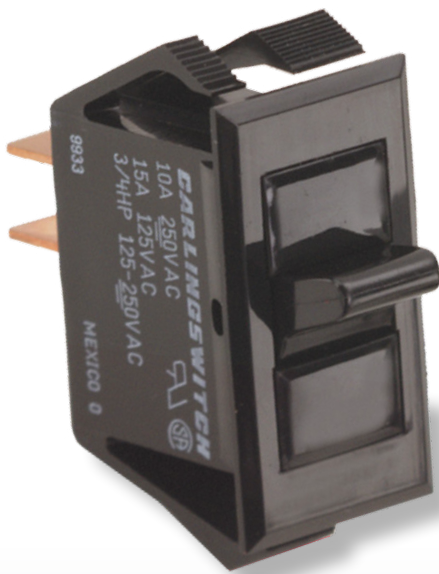


T-Series

Single Pole Rocker & Paddle Switches

PRODUCT WEBPAGE

request sample, configure part



The predecessor to the Corvette series whose versatility has allowed it to stand the test of time. Traditional styling coupled with self cleaning contacts, integrated wire leads, a multitude of circuits, ratings, and actuator choices has made the TA/LTA-Series appeal to a wide range of markets.

1
Pole

5-20
Amps

125-250
VAC

6-28
VDC

Typical Applications

- Appliances
- Transportation
- Medical
- HVAC
- Food Service

Tech Specs

Dielectric Strength

UL/CUL: 1000V-live to dead metal parts & opposite polarity

Electrical Life

50,000 cycles

Operating Temperature

32°F to 185°F (0°C to 85°C)

Ordering Scheme

Sample Part Number **TA201 - T B - B**

Selection 1 2 3 4

1. SERIES

10A 250 VAC, 15A 125 VAC, 3/4 HP 125-250 VAC
Standard Base Solder Lugs .250 Tabs Wire Leads

ON-NONE-OFF	TA200	TA201	TA205
ON-NONE-ON	TB200	TB201	TB205
ON-OFF-ON	TC200	TC201	TC205

5A 250 VAC, 10A 125 VAC, 1/2 HP 125-250 VAC

(ON)-NONE-OFF	TA10A	TA10B	TA10F
ON-NONE-(OFF)	TA10L	TA10M	TA10T
ON-NONE-(ON)	TB10A	TB10B	TB10F

T-SERIES WITH PLUNGER ACTUATOR 1,2

10A 250 VAC, 16A 125 VAC, 1/2 HP 125-250 VAC
OFF-NONE-(ON) - **TA25B-PLB-B** **TA25F-PLB-B**

T-SERIES WITH MOMENTARY ROCKER ACTUATOR

10A 250 VAC, 15A 125 VAC, 20A 125-250 VAC "H", 3/4 HP 125-250 VAC

(ON)-NONE-OFF	-	TA22B-TLB-B	-
ON-NONE-(OFF)	-	TA22M-TLB-B	-

2. ACTUATOR STYLE

T Rocker	PS Short Paddle
P Paddle	

3. ACTUATOR COLOR 5

B Black	W White
----------------	----------------

4. BEZEL COLOR 5

B Black	W White
----------------	----------------

Notes:

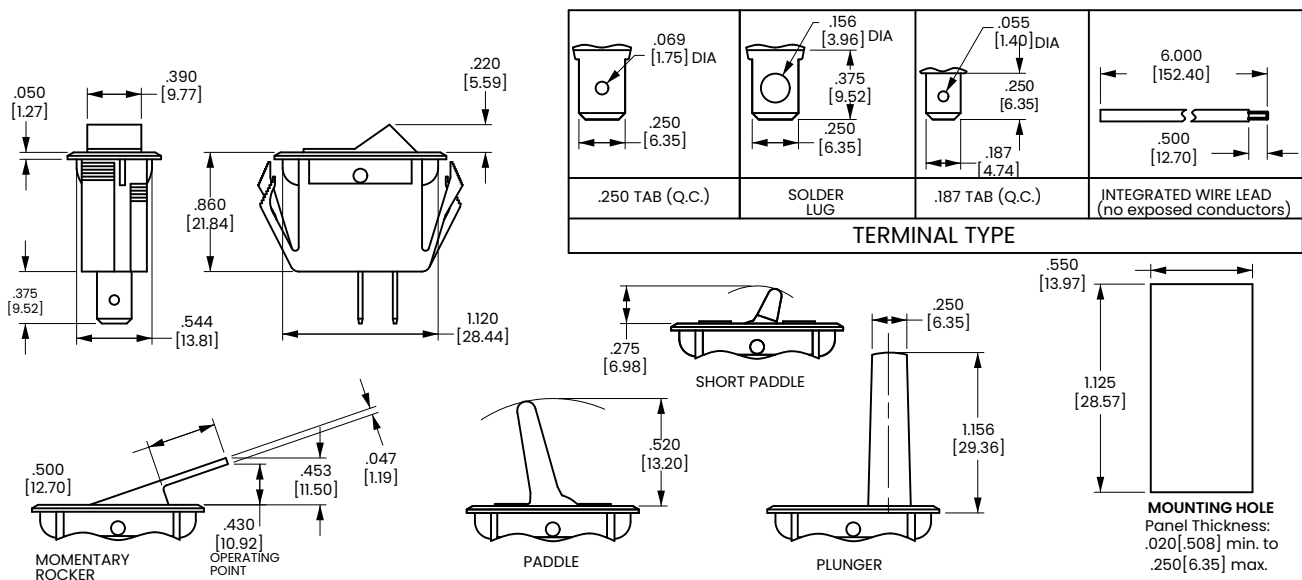
- Imprinting is available. Consult factory.
- 1 Optional plunger support option is available for applications requiring extensive lateral travel, consult factory for details.
- 2 Maintained circuit not available with TA22 and TA25 Series.
- 3 .187 tab terminals also available. Consult factory for catalog number callout.
- 4 Additional ratings are available. Consult factory.
- 5 Additional colors are available. Consult factory.
- () Indicates momentary function.

[Configure Complete Part Number >](#)

[Browse Standard Parts >](#)

Dimensional Specs

inches [millimeters]



Authorized Sales Representatives and Distributors

Click on a region of the map below to find your local representatives and distributors or visit www.carlingtech.com/findarep.



About Carling

Founded in 1920, Carling Technologies is a leading manufacturer of electrical and electronic switches and assemblies, circuit breakers, electronic controls, power distribution units, and multiplexed power distribution systems. With six ISO9001 and IATF16949 registered manufacturing facilities and technical sales offices worldwide, Carling Technologies Sales, Service and Engineering teams do much more than manufacture electrical components, they engineer powerful solutions! To learn more about Carling please visit www.carlingtech.com/company-profile.

To view all of Carling's environmental, quality, health & safety certifications please visit www.carlingtech.com/environmental-certifications.

© Carling Technologies, Inc.

3. Carling, Curvette are registered trademarks of Carling Technologies, Inc. in the U.S. and other countries.