

# 10/100BASE-TX SINGLE PORT TRANSFORMER MODULES



Ruggedized



- ⊗ Compliant with IEEE 802.3u & ANSI X3.263 standards
- ⊗ 350 $\mu$ H OCL with 8mA D.C.bias
- ⊗ Operating and storage temperature:  
100B-1001F & 100B-1003: -40°C to +85°C  
100B-1001FX & 100B-1003X: -55°C to +125°C
- ⊗ Moisture Sensitivity Level: 3
- ⊗ Maximum Isolation Voltage: 1500 VAC

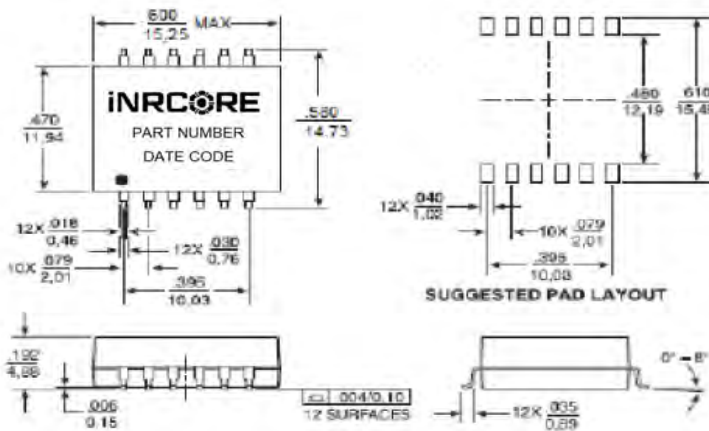
## Electrical Specifications @ 25°C

Part Number 1	Insertion Loss (dB MIN)	Return Loss (dB MAX)				Crosstalk (dB MAX)				DM to CM Rejection Ratio (dB MAX)		
	0.1-100 MHz	2-30 MHz	50 MHz	60 MHz	80 MHz	16 MHz	30 MHz	60 MHz	80 MHz	0.1-30 MHz	30-60 MHz	60-100 MHz
100B-1001	-1.00	-18	-14	-12	-12	-48	-44	-40	-38	TX: -50 RX: -50	TX: -40 RX: -40	TX: -30 RX: -30
100B-1001X	-1.10	-18	-14	-12	-10	-48	-44	-40	-38	TX: -45 RX: -45	TX: -40 RX: -40	TX: -38 RX: -33
100B-1001F	-1.00	-18	-14	-12	-12	-48	-44	-40	-38	TX: -50 RX: -50	TX: -40 RX: -40	TX: -30 RX: -30
100B-1001FX	-1.10	-18	-14	-12	-10	-48	-44	-40	-38	TX: -45 RX: -45	TX: -40 RX: -40	TX: -38 RX: -33
100B-1003	-1.00	-20	-14	-12	-12	-48	-45	-40	-38	TX: -50 RX: -50	TX: -40 RX: -40	TX: -35 RX: -35
100B-1003X	-1.00	-20	-14	-12	-12	-48	-45	-40	-38	TX: -45 RX: -45	TX: -40 RX: -40	TX: -35 RX: -35
100B-1003F	-1.00	-20	-14	-12	-12	-48	-45	-40	-38	TX: -50 RX: -50	TX: -40 RX: -40	TX: -35 RX: -35
100B-1003FX	-1.00	-20	-14	-12	-12	-48	-45	-40	-38	TX: -45 RX: -35	TX: -40 RX: -35	TX: -35 RX: -35

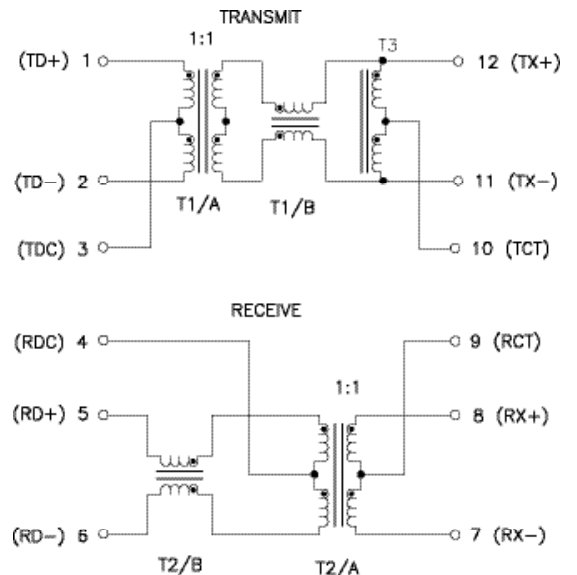
- Notes:
- Standard Part have a Sn63/Pb37 Lead Finish (MSL:3)
  - Add suffix "NL" for RoHS compliant version; i.e. 100B-1001F becomes **100B-1001FNL**. NL Parts have 100% Sn Lead Finish (MSL: 4)
  - For Tape & Reel Packaging, add "T" suffix at the end of the part number; i.e. **100B-1003FXNL T**
  - Maximum Hi-Pot 1800VAC/2500VDC for 6 Sec.

## Mechanicals

### 100B-1001F/X



## Electrical Schematics



# 10/100BASE-TX SINGLE PORT TRANSFORMER MODULES

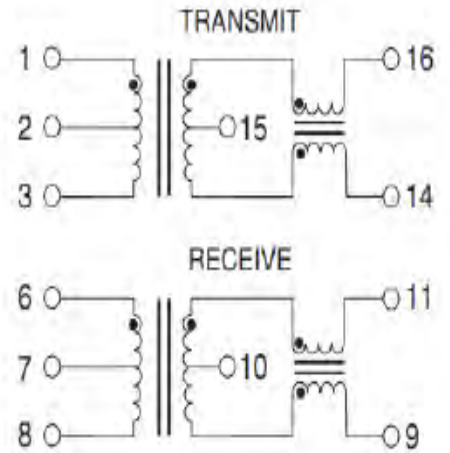
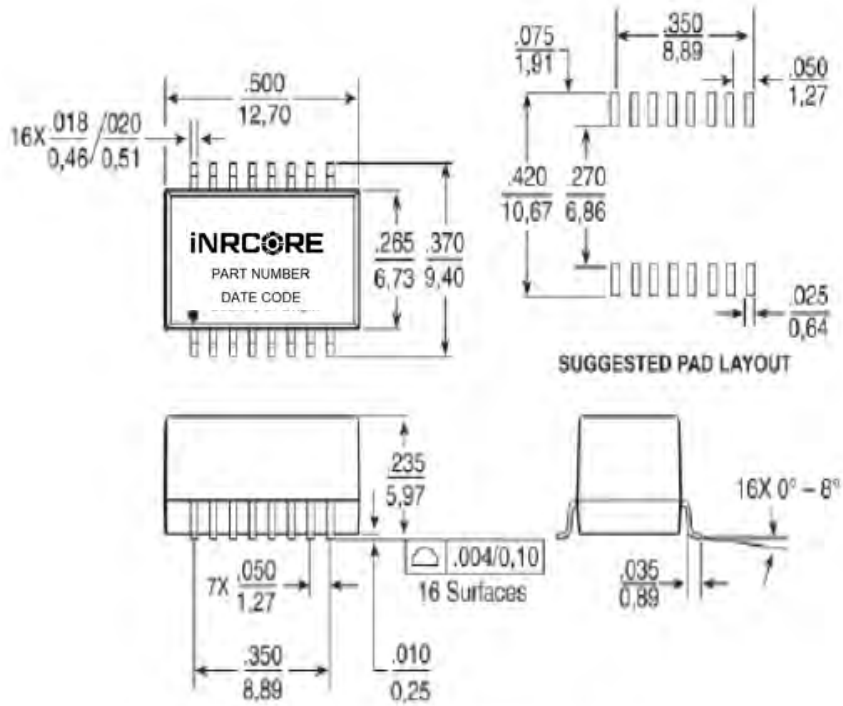
Ruggedized



## Mechanicals

## Electrical Schematics

100B-1003F/X



Dimensions:  $\frac{\text{Inches}}{\text{mm}}$

Unless otherwise specified, all tolerances are:  $\pm \frac{.010}{0,25}$

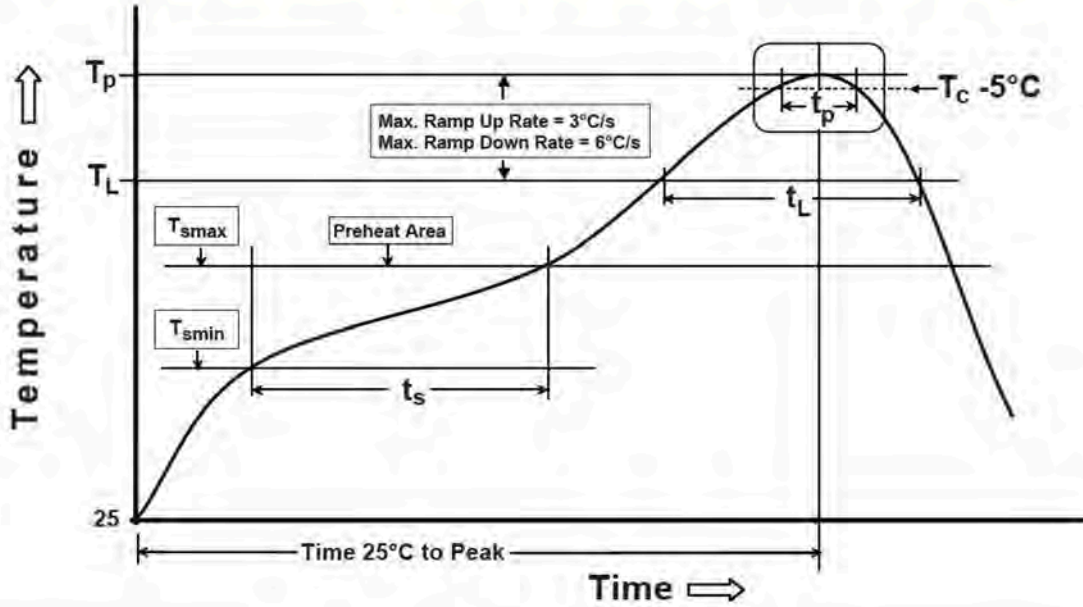


# 10/100BASE-TX SINGLE PORT TRANSFORMER MODULES

Ruggedized



## Tin/Lead Recommended Reflow Profile (Based on J-STD-020D)



$T_{SMIN}$ (°C)	$T_{SMAX}$ (°C)	$T_L$ (°C)	$T_P$ (°C MAX)	$t_s$ (s)	$t_L$ (s)	$t_p$ (s MAX)	Ramp-up rate ( $T_L$ to $T_P$ )	Ramp-down rate ( $T_P$ to $T_L$ )	Time 25°C to peak temperature (s MAX)
100	150	183	235	60-120	60-150	20	3°C/s MAX	6°C/s MAX	360

Notes:

1. All temperatures measured on the package leads.
2. Maximum times of reflow cycle: 2.

### For More Information

iNRCORE, LLC  
 311 Sinclair Road Bristol,  
 PA 19007-6812 U.S.A  
 Tel: + 1.215.781.6400  
 Fax: +1.215.7816430

**Global Sales Representatives and Locations:**  
<http://www.inrcore.com>

Performance warranty of products offered on this data sheet is limited to the parameters specified. Data is subject to change without notice. Other brand and product names mentioned herein may be trademarks or registered trademarks of their respective owners. © Copyright, 2020. iNRCORE, LLC. All rights reserved.

