

10/100BASE-TX DUAL PORT TRANSFORMER MODULES

Ruggedized



- ⊗ Compliant with IEEE 802.3u and ANSI X3.263 standards 350μH
- ⊗ OCL with 8mA bias at extended temperatures
- ⊗ Operating and storage temperature:
100B-2002F: -40°C to +85°C
100B-2002FX: -55°C to +125°C
- ⊗ Moisture Sensitivity Level: 3
- ⊗ Epoxy encapsulated package withstands 235°C peak temperature
- ⊗ Terminal Finish: matte tin allow solder over nickel layer
- ⊗ Lead Finish: Sn63 Pb37 finish for non-RoHS products
- ⊗ Sn100 Finish: for RoHS products using NL suffix

Electrical Specifications @ 25°C

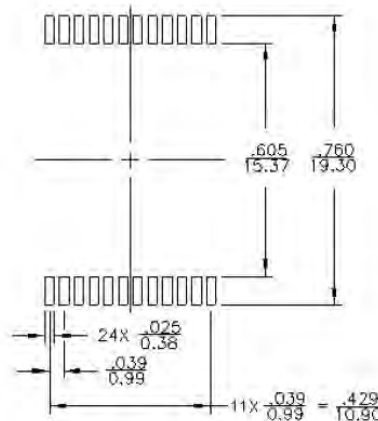
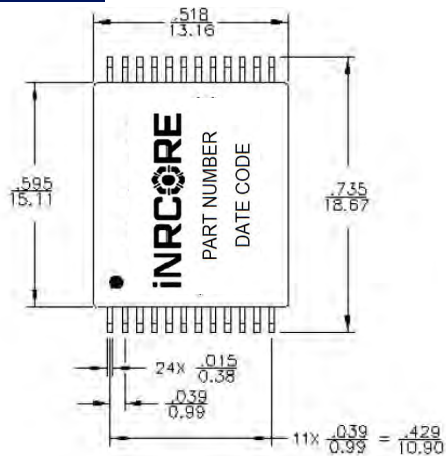
Part Number	Insertion Loss (dB MAX)	Return Loss (dB MAX)				Crosstalk (dB MIN)				DM to CM Rejection Ratio (dB MAX)			Dielectric Withstand Voltage @5s MIN (VRMS)
		0.1-100MHz	2-30MHz	40MHz	50MHz	60-80MHz	1MHz	30MHz	60MHz	100MHz	30 MHz	60 MHz	
100B-2002F	-1.20	-18	-16	-15	-12	-50	-43	37	-33	-43	-37	-33	1500
100B-2002FX	-1.20	-18	-16	-15	-12	-50	-43	37	-33	-43	-37	-33	1500

Notes: 1. Optional Tape & Reel packaging can be ordered by adding a "T" suffix to the part number (i.e. 100B-2002F becomes **100B-2002FT**).

2. Suffix "NL" for RoHS (Sn100 Lead Finish); i.e. **100B-2002FNL**
3. IC Grade transfer-molded package withstands 235°C peak temperature profile; RoHS version withstands 245°C

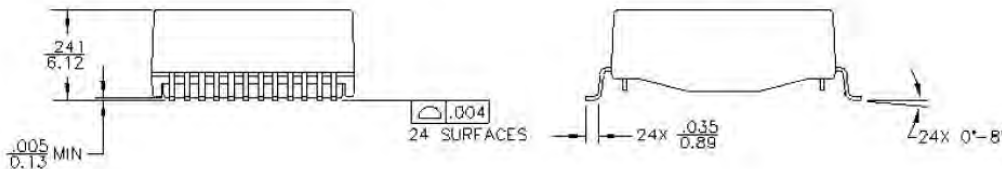
Mechanical

100B-2002F/X



SUGGESTED LAND PATTERN

Weight.....3.0grams
Tape and Reel.....300/reel
Tube.....25/tube
Dimensions: $\frac{\text{Inches}}{\text{mm}}$
Unless otherwise specified,
all tolerances are $\pm \frac{.010}{0.25}$



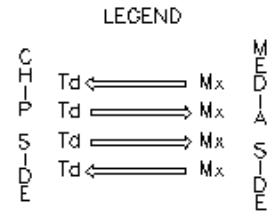
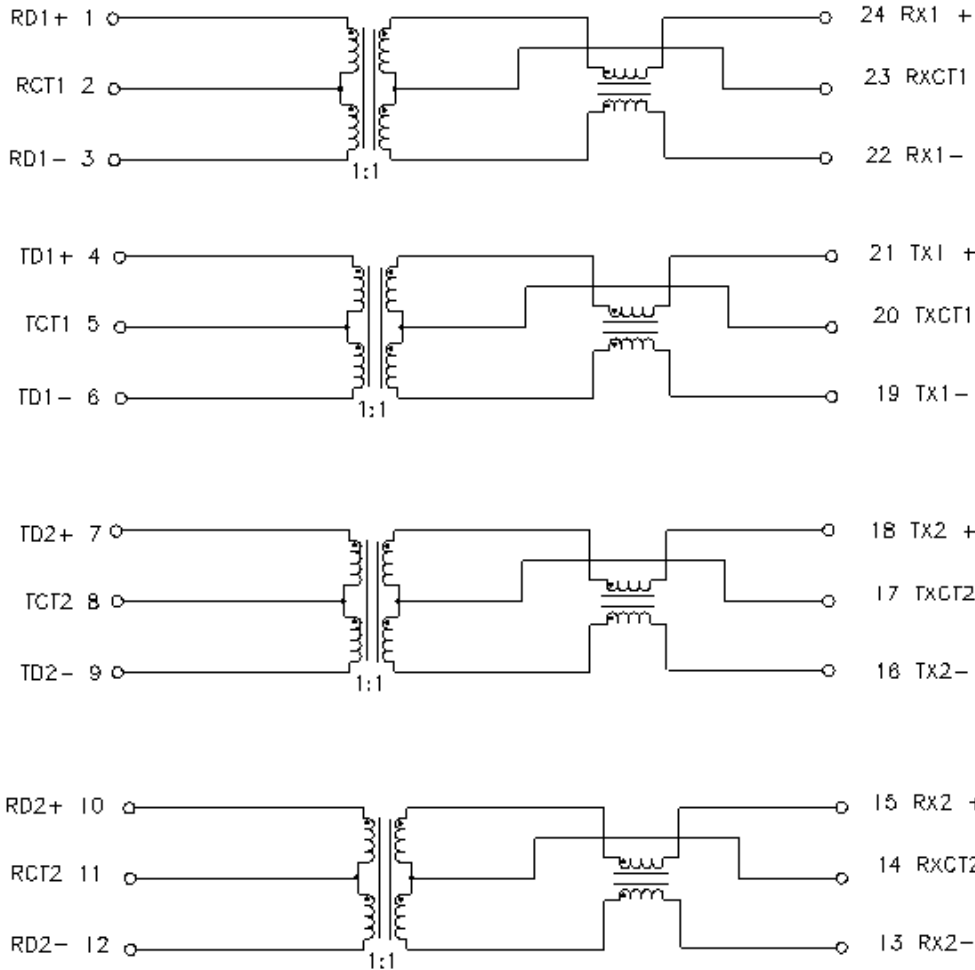
10/100BASE-TX DUAL PORT TRANSFORMER MODULES

Ruggedized



Electrical Schematic

100B-2002F/X



ALL CHANNELS ARE IN-PHASE BETWEEN INPUT AND OUTPUT

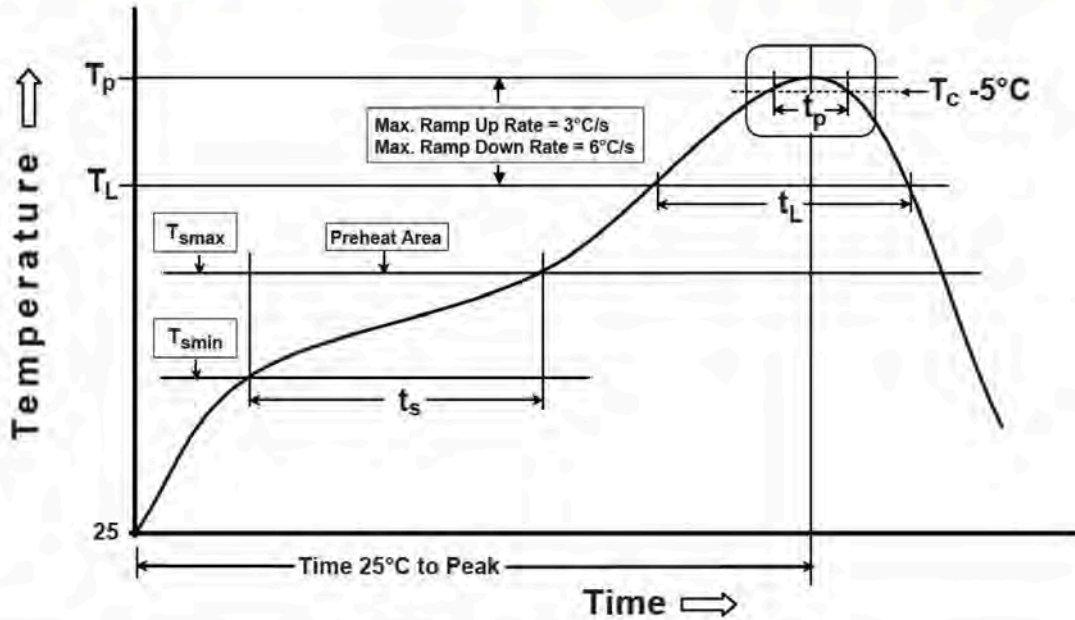


10/100BASE-TX DUAL PORT TRANSFORMER MODULES



Ruggedized

Tin/Lead Recommended Reflow Profile (Based on J-STD-020D)



T_{SMIN} (°C)	T_{SMAX} (°C)	T_L (°C)	T_P (°C MAX)	t_s (s)	t_L (s)	t_p (s MAX)	Ramp-up rate (T_L to T_P)	Ramp-down rate (T_P to T_L)	Time 25°C to peak temperature (s MAX)
100	150	183	235	60-120	60-150	20	3°C/s MAX	6°C/s MAX	360

Notes:

1. All temperatures measured on the package leads.
2. Maximum times of reflow cycle: 2.

For More Information

iNRCORE, LLC
 311 Sinclair Road Bristol,
 PA 19007-6812 U.S.A
 Tel: + 1.215.781.6400
 Fax: +1.215.7816430

Global Sales Representatives and Locations:
<http://www.incore.com>

Performance warranty of products offered on this data sheet is limited to the parameters specified. Data is subject to change without notice. Other brand and product names mentioned herein may be trademarks or registered trademarks of their respective owners. © Copyright, 2020. iNRCORE, LLC. All rights reserved.

