

DESCRIPTION: VERTICAL - HIGH PROFILE - STAMPED

DIMENSIONS: mm

NUMBER OF CONTACTS	A	B	C	D
15	30.80	24.99	16.34	19.20
26	39.20	33.32	24.70	27.70

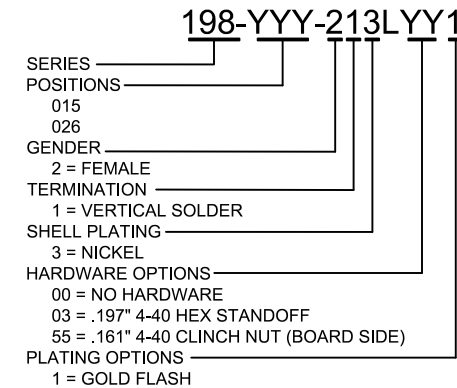
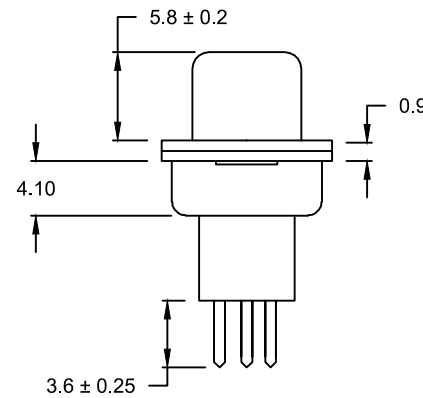
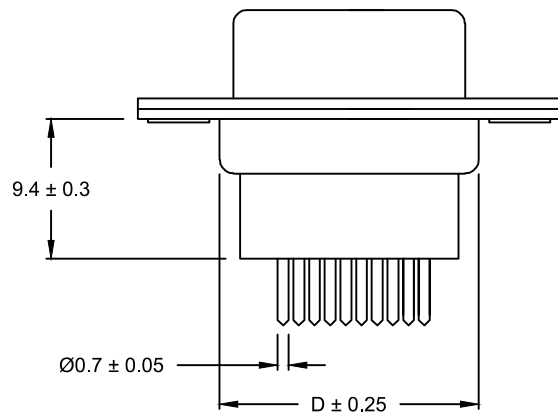
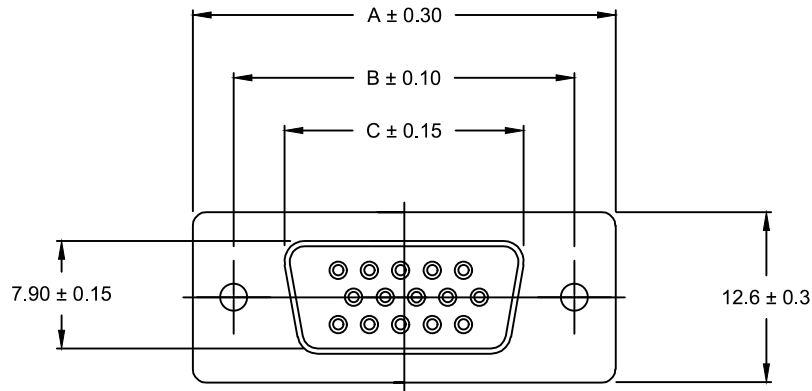
SPECIFICATIONS:

ELECTRICAL:

INSULATOR RESISTANCE: 1000 MΩ MIN.
 WORKING VOLTAGE: 250V
 OPERATING TEMPERATURE: -50°C TO +100°C
 CONTACT RESISTANCE: 15 mΩ MAX.
 CONTACT AMPERAGE: 5 AMPS

MATERIALS:

CONTACTS: BRASS
 GOLD FLASH IN MATING AREA
 TIN PLATING ON TAIL ENDS
 SHELL: STEEL, NICKEL PLATED
 INSULATOR: PBT, UL94-V0



RoHS COMPLIANT

UNITS = mm

DO NOT SCALE FROM DRAWING



THESE DRAWINGS AND SPECIFICATIONS ARE THE PROPERTY OF NorComp AND SHALL NOT BE REPRODUCED, COPIED OR USED AS THE BASIS FOR THE MANUFACTURE OR SALE OF APPARATUS WITHOUT WRITTEN PERMISSION.

DRAWN: P. JENKINS

DATE: 09/15/2005

NorComp

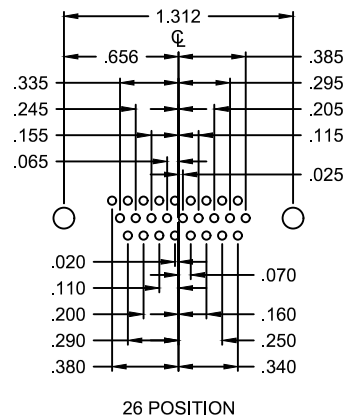
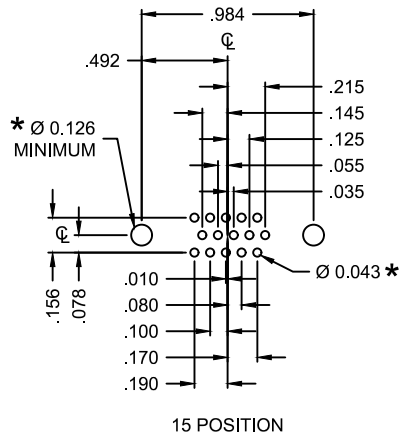
SCALE: NTS

SHEET 1 OF 3

REV 2

DWG NO.

198-YYY-213LYY1



HOLE PATTERN SHOWN
ARE FOR FEMALE

UNITS = inch

* TYP.
SUGGESTED SIZE
MAY NOT BE SUITABLE FOR ALL APPLICATIONS

RoHS COMPLIANT

UNITS = inches

DO NOT SCALE FROM DRAWING



THESE DRAWINGS AND SPECIFICATIONS ARE THE PROPERTY OF NorComp AND SHALL NOT BE REPRODUCED, COPIED OR USED AS THE BASIS FOR THE MANUFACTURE OR SALE OF APPARATUS WITHOUT WRITTEN PERMISSION.

DRAWN:
P. JENKINS

DATE:
09/15/2005

NorComp

SCALE:
NTS

SHEET OF
2 3

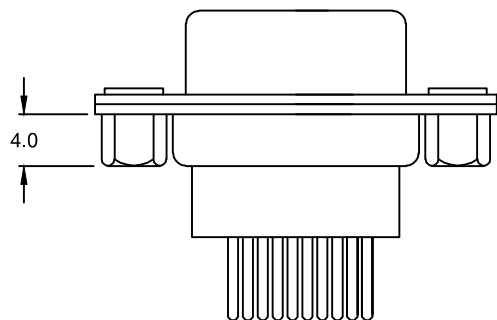
REV
2

DWG NO.

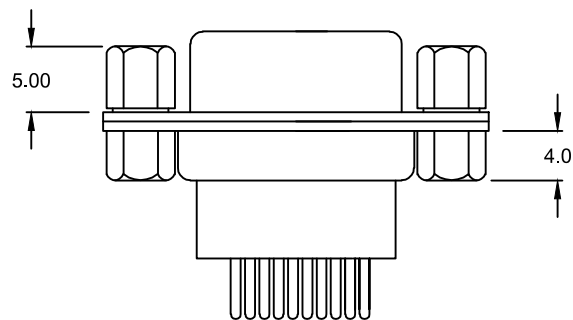
198-YYY-213LYY1

HARDWARE OPTIONS:

55 = #4-40 CLINCH NUT (BOARD SIDE)



03 = #4-40 HEX STANDOFF



RoHS COMPLIANT

UNITS = mm

DO NOT SCALE FROM DRAWING



THESE DRAWINGS AND SPECIFICATIONS ARE THE PROPERTY OF NorComp AND SHALL NOT BE REPRODUCED, COPIED OR USED AS THE BASIS FOR THE MANUFACTURE OR SALE OF APPARATUS WITHOUT WRITTEN PERMISSION.

DRAWN:
P. JENKINS

DATE:
09/15/2005

NorComp

SCALE:
NTS

SHEET OF
3 3

REV
2

DWG NO.

198-YYY-213LYY1