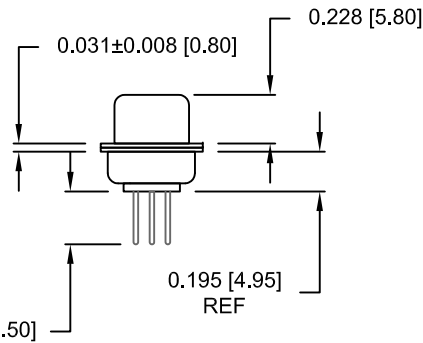
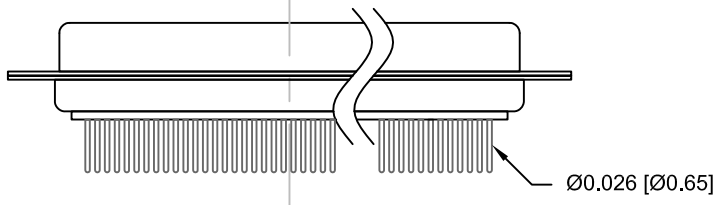
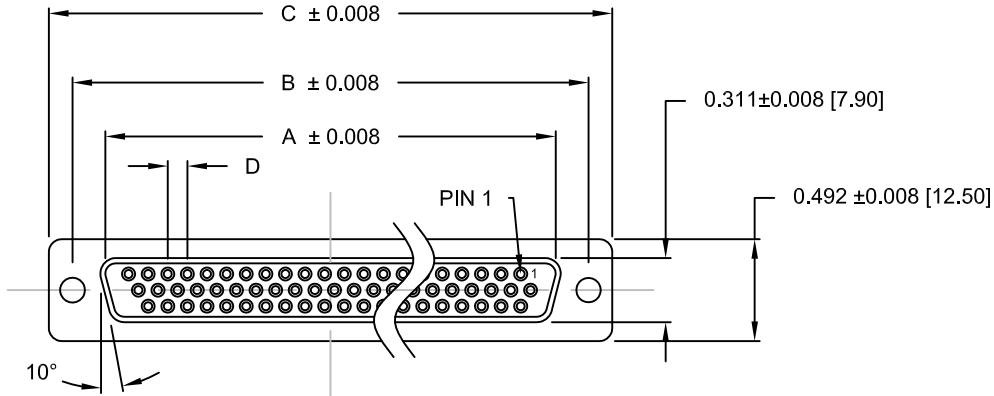


DESCRIPTION: HIGH DENSITY - MACHINED CONTACTS - VERTICAL



**MATERIALS AND FINISH:**

SHELL: STEEL MATERIAL, NICKEL FINISH  
 INSULATOR: (SEE DIM. CHART) = 260°C PROCESS TEMP, UL 94V-0 RATED, BLACK  
 CONTACT MATERIAL: BRASS  
 CONTACT FINISH: SEE PLATING PART NUMBER KEY BELOW

**ELECTRICAL:**

CONTACT CURRENT RATING: 5 AMPS  
 CONTACT RESISTANCE: 10 mOHMS Max.  
 DIELECTRIC WITHSTANDING VOLTAGE: 1,000VAC Min.  
 INSULATION RESISTANCE: 5 GOHMS Min.  
 TEMPERATURE RATING: -55° ~ +125° C

**180-MYY-2YYRYYY**

SERIES \_\_\_\_\_  
 MACHINED CONTACTS \_\_\_\_\_  
 POSITIONS \_\_\_\_\_  
 15 \_\_\_\_\_  
 26 \_\_\_\_\_  
 44 \_\_\_\_\_  
 62 \_\_\_\_\_  
 GENDER \_\_\_\_\_  
 2 = FEMALE \_\_\_\_\_  
 CONTACT LENGTH \_\_\_\_\_  
 1 = 0.256" \_\_\_\_\_  
 A = 0.140" \_\_\_\_\_  
 SHELL PLATING \_\_\_\_\_  
 3 = NICKEL \_\_\_\_\_  
 HIGH TEMP INSULATOR (260°C) \_\_\_\_\_  
 HARDWARE OPTIONS \_\_\_\_\_  
 00 = NO HARDWARE, Ø.120" HOLE  
 01 = .098" CLINCH NUT (BOARD SIDE)  
 02 = .236" CLINCH NUT (BOARD SIDE)  
 03 = .236" CLINCH NUT (MATING SIDE)  
 05 = .224" BOARD LOCK (BOARD SIDE)  
 S5 = .237" BOARD LOCK (BOARD SIDE)  
 91 = .224" 4-40 SPACER/BOARD LOCK  
 PLATING OPTIONS \_\_\_\_\_  
 1 = GOLD FLASH, ENTIRE CONTACT  
 2 = 30u" GOLD, ENTIRE CONTACT  
 3 = 50u" GOLD, ENTIRE CONTACT

**DIMENSIONS (in.)**

No. OF PINS	A	B	C	D	Insulator Material
15	0.642	0.984	1.213	0.090	PA9T
26	0.969	1.311	1.543	0.090	PA9T
44	1.512	1.852	2.089	0.090	PA9T
62	2.157	2.500	2.732	0.095	PA6T

**DIMENSIONS (mm)**

No. OF PINS	A	B	C	D	Insulator Material
15	16.30	25.00	30.80	2.29	PA9T
26	24.60	33.30	39.20	2.29	PA9T
44	38.40	47.05	53.05	2.29	PA9T
62	54.80	63.50	69.40	2.41	PA6T

UNITS = INCHES [mm]

**DO NOT SCALE FROM DRAWING**



THESE DRAWINGS AND SPECIFICATIONS ARE THE PROPERTY OF NorComp AND SHALL NOT BE REPRODUCED, COPIED OR USED AS THE BASIS FOR THE MANUFACTURE OF SALE OF APPARATUS WITHOUT WRITTEN PERMISSION.

DRAWN: <b>C. SMITH</b>	DATE: <b>03-16-07</b>
---------------------------	--------------------------

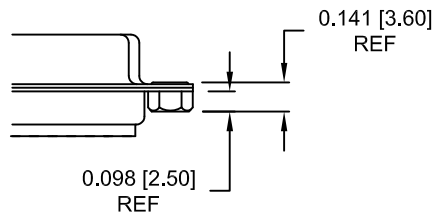
**NorComp**

SCALE: NTS	SHEET 1	OF 3	REV 25
DWG NO. <b>180-MYY-21YRYYY</b>			

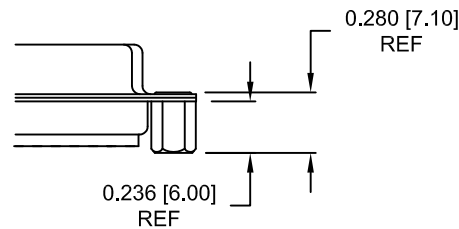
**RoHS COMPLIANT**

ALL CLINCH-NUTS ARE 4-40 INTERNAL THREADS

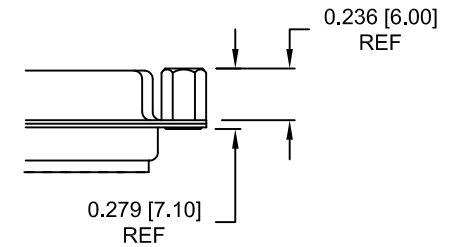
01X ..... 0.098" BOARD SIDE



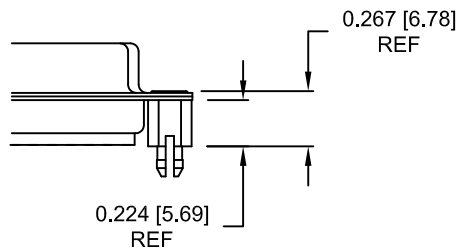
02X ..... 0.236" BOARD SIDE



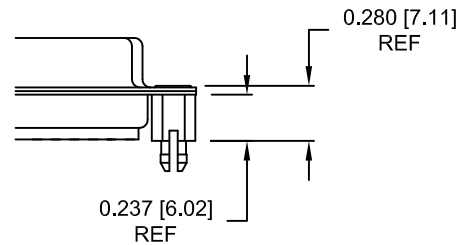
03X..... 0.236" MATING SIDE



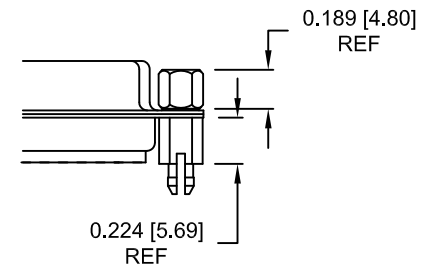
05X ..... 0.224" BOARD SIDE



S5X ..... 0.237" BOARD SIDE



91X ..... 0.224" BOARD SIDE  
0.189" MATING SIDE



NOTE: 4-40 FEMALE SCREW LOCK IS REMOVABLE

UNITS = INCHES [mm]

DO NOT SCALE FROM DRAWING



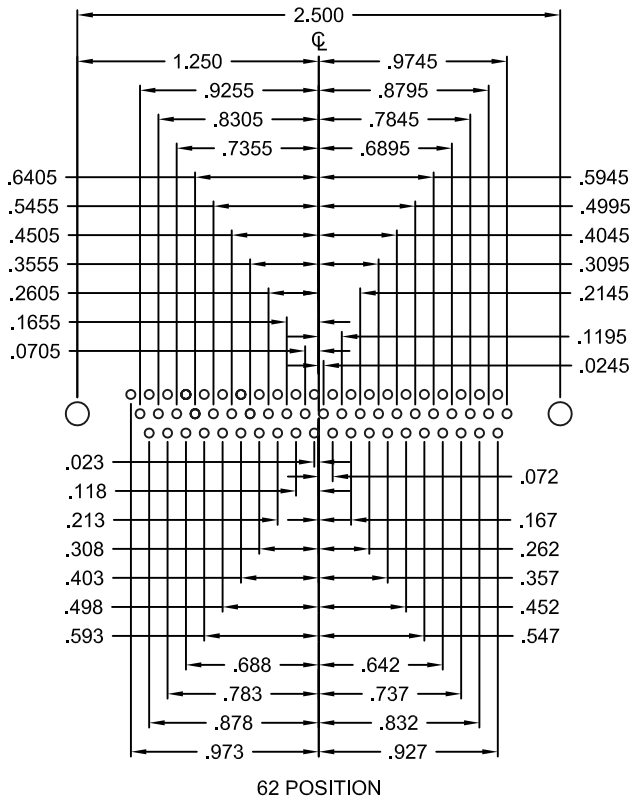
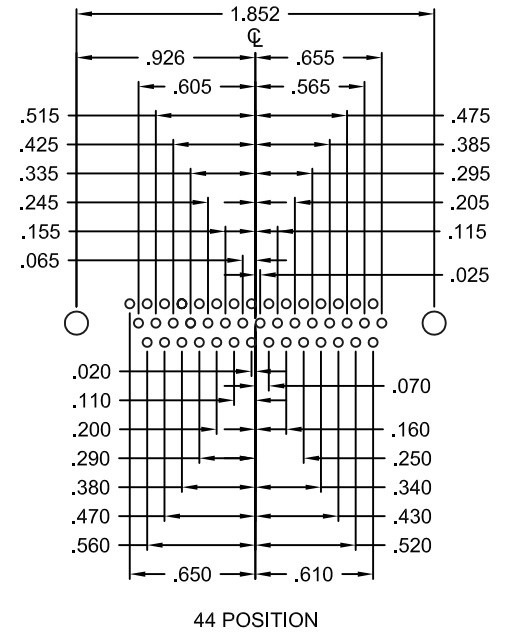
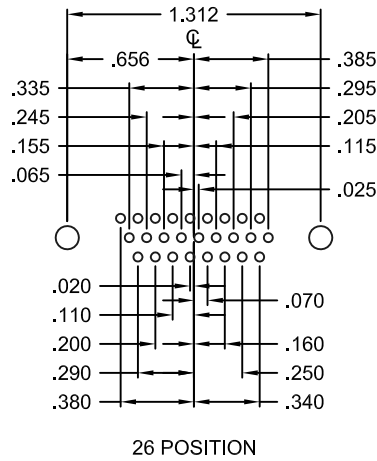
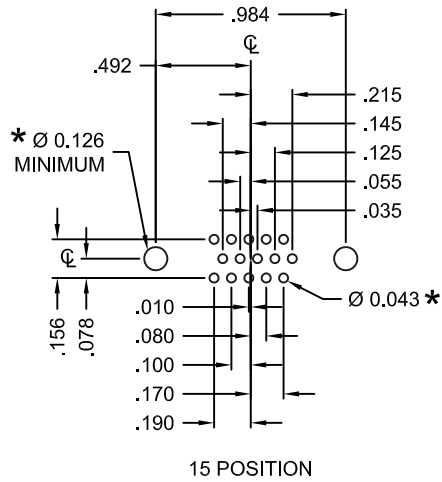
THESE DRAWINGS AND SPECIFICATIONS ARE THE PROPERTY OF NorComp AND SHALL NOT BE REPRODUCED, COPIED OR USED AS THE BASIS FOR THE MANUFACTURE OF SALE OF APPARATUS WITHOUT WRITTEN PERMISSION.

DRAWN: C. SMITH		DATE: 03-16-07	
SCALE: NTS	SHEET 2	OF 3	REV 25
DWG NO. 180-MYY-21YRYYY			

RoHS COMPLIANT

NorComp

DESCRIPTION: HIGH DENSITY - MACHINED CONTACTS - VERTICAL



HOLE PATTERN SHOWN  
ARE FOR FEMALE

UNITS = inch

\* TYP.  
SUGGESTED SIZE  
MAY NOT BE SUITABLE FOR ALL APPLICATIONS

DO NOT SCALE FROM DRAWING

	THESE DRAWINGS AND SPECIFICATIONS ARE THE PROPERTY OF NorComp AND SHALL NOT BE REPRODUCED, COPIED OR USED AS THE BASIS FOR THE MANUFACTURE OF SALE OF APPARATUS WITHOUT WRITTEN PERMISSION.		DRAWN: <b>C. SMITH</b>	DATE: <b>03-16-07</b>
	NorComp		SCALE: NTS	SHEET 3 OF 3
DWG NO. <b>180-MYY-21YRYYY</b>				