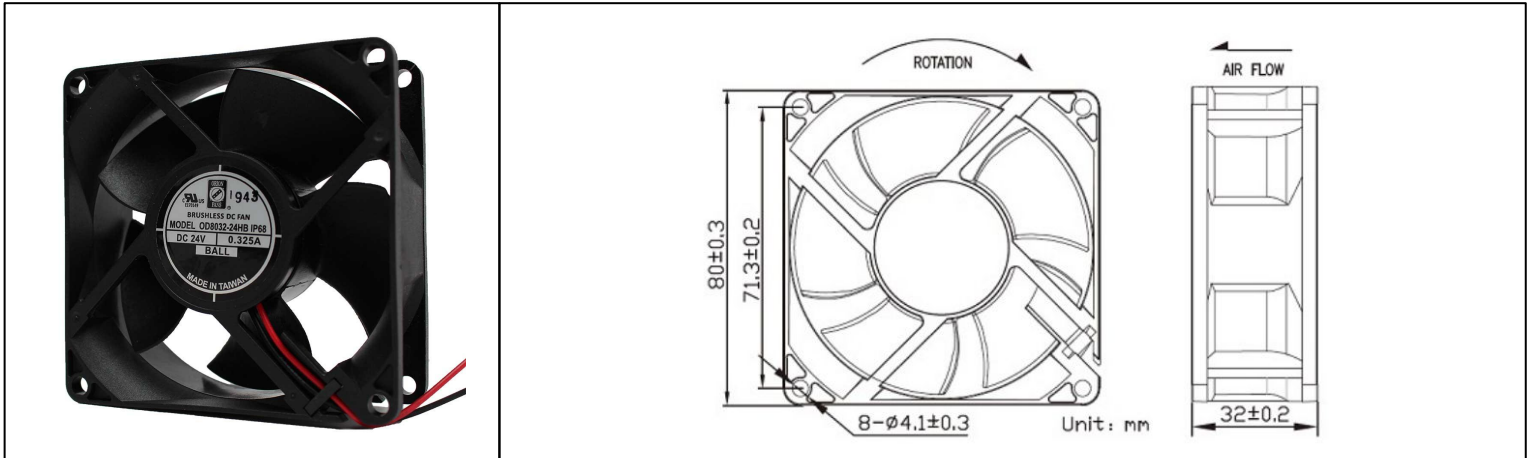


# OD8032-IP68 Series



DC Fan, 12, 24, 48V  
80x32mm (3.15"x1.25")



<b>Frame</b>	PBT, UL94 V-0 plastic	<b>Operating Temperature</b> -10°C ~ +70°C  <b>Storage Temperature</b> -40°C ~ +75°C  <b>Life Expectancy</b> 70,000 hours (L10 at 40°C)  <b>Available Options</b> Tachometer Alarm PWM  Weight: 0.26 lbs m0	
<b>Impeller</b>	PBT, UL94 V-0 plastic		
<b>Connection</b>	2x Lead wires 24 AWG		
<b>Motor</b>	Brushless DC, Auto Restart, Polarity Protected, Electronically Protected, IP68		
<b>Bearing System</b>	Dual Ball Bearings		
<b>Dielectric Strength</b>	500VAC/min		
<b>Insulation Resistance</b>	10M ohm between leadwires and frame (500 VDC)		

Part Number	Rated Voltage	Input Power	Rated Current	Rated Speed (RPM)	Airflow (CFM)	Noise Level (dB)	Max. Static Pressure
OD8032-12HHBIP68	12 VDC	8.4 W	0.7 A	6400	83	53	0.79"H <sub>2</sub> O
OD8032-12HBIP68	12 VDC	7.8 W	0.65 A	6000	77	50	0.73"H <sub>2</sub> O
OD8032-12MBIP68	12 VDC	6.0 W	0.5 A	5500	71	48	0.61"H <sub>2</sub> O
OD8032-12LBIP68	12 VDC	4.8 W	0.4 A	4800	62	45	0.45"H <sub>2</sub> O
OD8032-24HBIP68	24 VDC	7.8 W	0.33 A	6000	77	50	0.73"H <sub>2</sub> O
OD8032-48HBIP68	48 VDC	7.8 W	0.16 A	6000	77	50	0.73"H <sub>2</sub> O