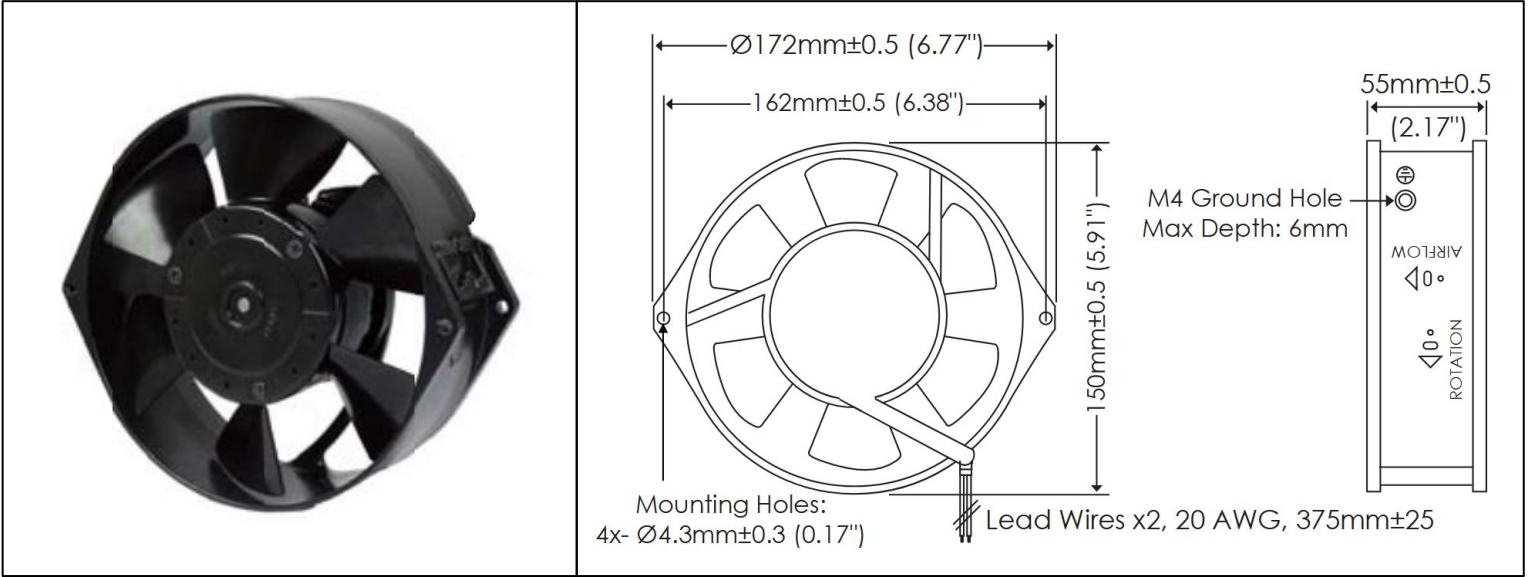


OA162AP All Metal Series



AC Fans, 115V, 230V
172 x 150 x 55mm (6" x 2.2")



Frame	Die Cast Aluminum, Black Finish	Operating Temperature -30°C ~ +80°C Storage Temperature -40°C ~ +100°C Life Expectancy 50,000 hours (L10 at 55°C) Available Options Terminal Power Connection Alarm Output Tachometer Output Weight: 2.7 lbs.	
Impeller	Steel, Black Finish		
Connection	2x Lead wires, 20 AWG		
Motor	Capacitor Induction AC, Single Phase, Impedance Protected, Thermally Protected, IP55		
Bearing System	Dual Ball Bearings		
Dielectric Strength	1,500VAC/min, < 1mA		
Insulation Resistance	≥10MΩ between wire leads and frame (500 VDC)		

Part Number	Rated Voltage (VAC)	Voltage Range (VAC)	Input Power (Watts) 50/60 Hz	Rated Speed (RPM) 50/60 Hz	Airflow (CFM) 50/60 Hz	Noise Level (dBA)	Max. Static Pressure ("H ₂ O)
OA162AP-11-1WB1855	115	100 ~ 125	26 / 35	2725 / 3125	209 / 248	58.1	0.55 / 0.58
OA162AP-11-2WB1855	115	100 ~ 125	22 / 20	2280 / 2390	174 / 189	43.2	0.45 / 0.43
OA162AP-11-3WB1855	115	100 ~ 125	18 / 16	1485 / 1570	113 / 127	32.3	0.32 / 0.29
OA162AP-22-1WB1855	230	200 ~ 250	26 / 35	2725 / 3125	209 / 248	58.1	0.55 / 0.58
OA162AP-22-2WB1855	230	200 ~ 250	22 / 20	2280 / 2390	174 / 189	43.2	0.45 / 0.43
OA162AP-22-3WB1855	230	200 ~ 250	18 / 16	1485 / 1570	113 / 127	32.3	0.32 / 0.29