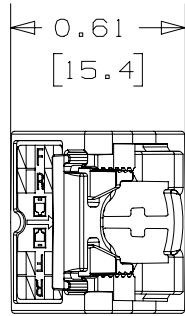
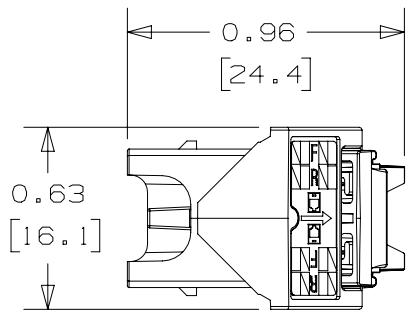
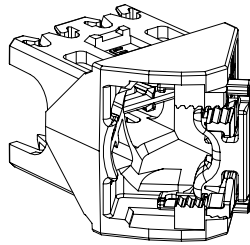
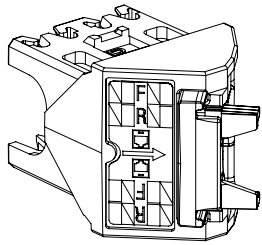


THIS COPY IS PROVIDED ON A RESTRICTED BASIS AND IS NOT TO BE USED IN ANY WAY DETRIMENTAL TO THE INTERESTS OF PANDUIT CORP.



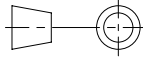
NOTES:

1. VISIT OUR ON-LINE CATALOG AT WWW.PANDUIT.COM FOR A LIST OF CURRENT PARTS APPLICABLE FOR USE WITH THIS PRODUCT.
2. DIMENSIONS IN [] ARE METRIC.
3. WEIGHT: 0.45 LB/100 PCS (203 g/100PCS)
4. TERMINATES ALL CJ**88TG** JACKS
5. WIRE CAP TERMINATES TO THE RIGHT OR TO THE LEFT (HORIZONTALLY).
6. TERMINATES 22-26 AWG SOLID OR STRANDED UTP CABLE
7. RoHS COMPLIANT

TABLE 1 - PART NUMBERS

PART NUMBER	COLOR	PERFORMANCE CATEGORY	
		(TIA)	ISO
CJLRCAPBU-%	BLUE	CATEGORY 6A	CLASS EA
CJLRCAPIW-%	INTERNATIONAL WHITE	CATEGORY 6	CLASS E
CJLRCAPRD-%	RED	CATEGORY 5E	CLASS D

WHERE % -C IS FOR BULK PACK OF 100
AND -X IS FOR BULK PACK OF 10

PART NUMBER		SEE TABLE 1	
TITLE			
MINI-COM™ TG™ 45° LEFT-RIGHT WIRE CAP CUSTOMER DRAWING			
ITEM REVISION NAME		00153LAF/03	
DATASET FILE NAME		00153LAF_DC/03A	
		THIRD ANGLE PROJECTION	
MATERIAL		DRAWING NUMBER	
SEE ASSEMBLY PART NUMBER		00153LAF-02	
REV	DATE	BY	CHK
5	11-12-18	BJN	MDJR
APR	DESCRIPTION	ECN	SIZE
UPDATED		00153LAF-02	A
SHEET 1 OF 1			

A-SIZE CUSTOMER

2

1

2

1