

SUMMARY

Wires

Low voltage 22



Image is for illustrative purpose only

Series SP
Termination type Male solder
IP rating 50
AWG wire size 36.00 - 28.00
Cable Ø 0.00 - 0.00 mm
Status active
Matching parts [SAS.M22.GLL.6J](#)

Download

[Request a quote](#)

[Catalog](#)

TECHNICAL DETAILS

Mechanics

Shell Style/Model SL_.SP*: Fixed socket, key (N) or keys (P, S and T), nut fixing, yellow front nut
Keying 3 keys (alpha=0, gamma=50, plug: female contacts, receptacle: male contacts)
Housing Material Proprietary sulfone, gray
Variant J : Yellow front nut
Weight 6.17 g

Performance

Configuration SP.M22 : 22 Low V.
Insulator L: PEEK (UL 94 / V-0/1.5)
Rated Current 2.0 Amps

Specifications

Contact Type: Solder
Contact Dia.: 0.5 mm (0.0196in)
Bucket Dia.: 0.45 mm (0.0177in)
Max. Solid Conductor: 0.12 mm² (AWG 28)
Max. Stranded Conductor: 0.12 mm² (AWG 28)
R (max): 8.5 mOhm
Test voltage (kV rms) Contact-contact: 0.60

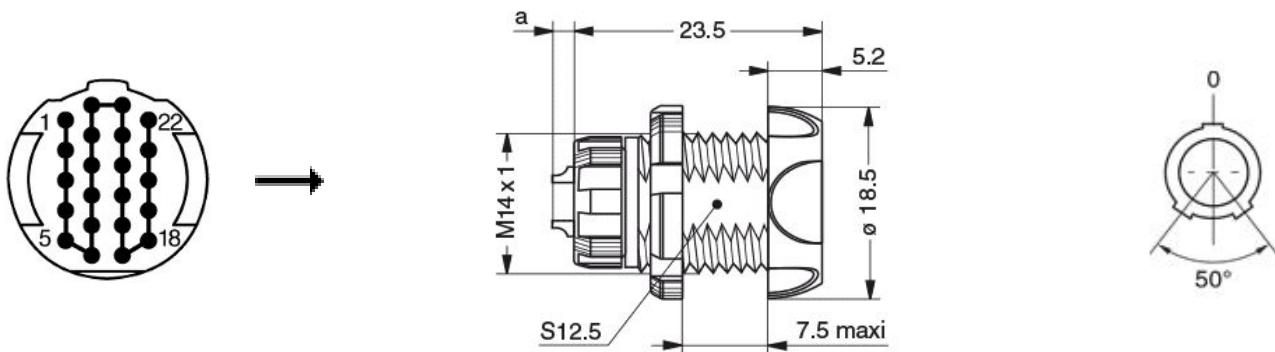
LEMO products and services are provided "as is". LEMO makes no warranties or representations with regard to LEMO product & services or use of them, express, implied or statutory, including for accuracy, completeness, or security. The user is fully responsible for his products and applications using LEMO components.

Air clearance min.: 0.48 mm
Creepage distance min.: 0.48 mm

Others

Endurance (Shell): >2000 mating cycles
Temp (min / max): -50°C / +170°C

DRAWINGS



Dimensions

	B	N	a	e
mm.	18.5	23.5	2.2	M14x1
in.	0,73	0,93	0,09	

RECOMMENDED BY LEMO

Tools

LEMO products and services are provided "as is". LEMO makes no warranties or representations with regard to LEMO product & services or use of them, express, implied or statutory, including for accuracy, completeness, or security. The user is fully responsible for his products and applications using LEMO components.