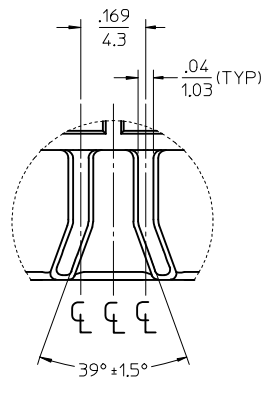
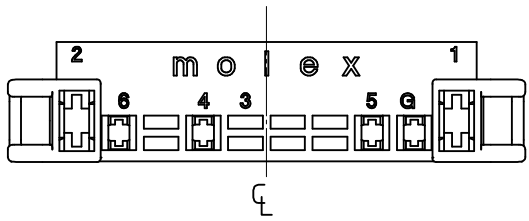


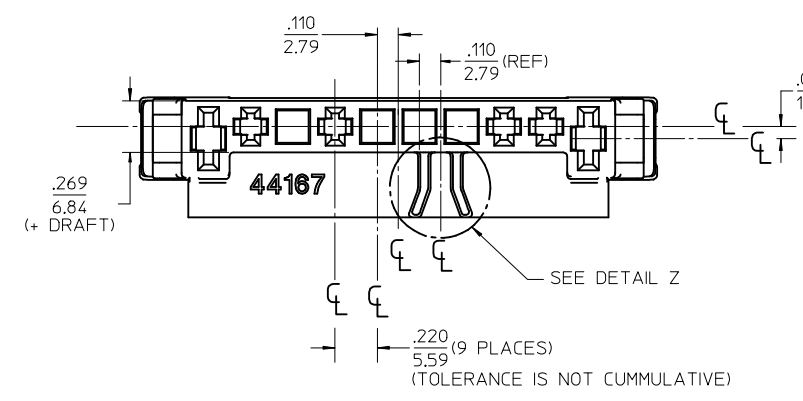
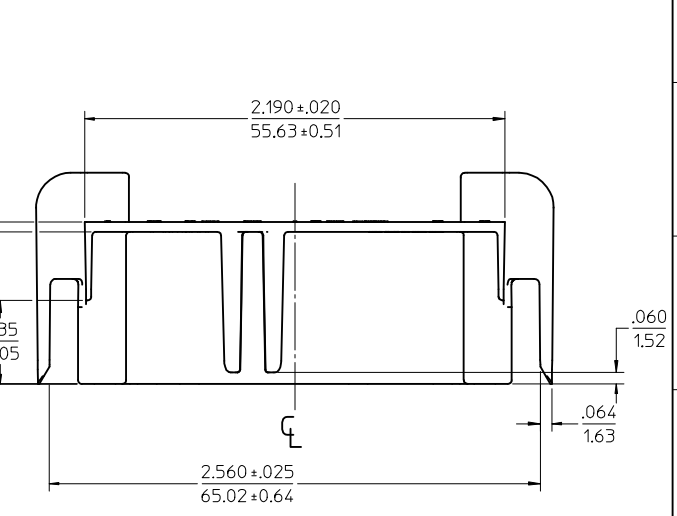
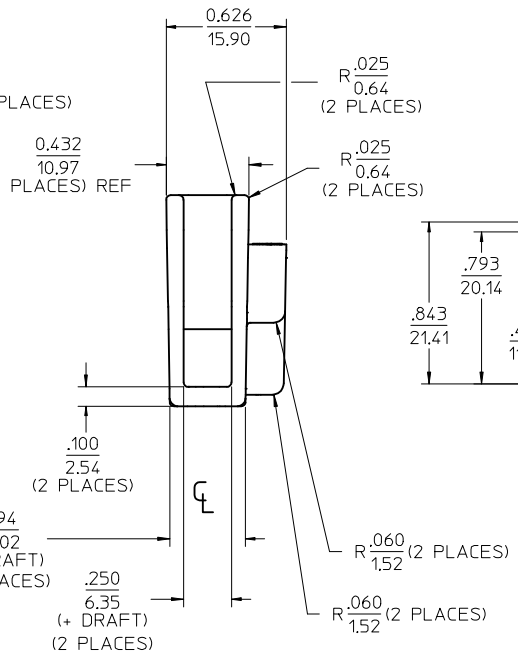
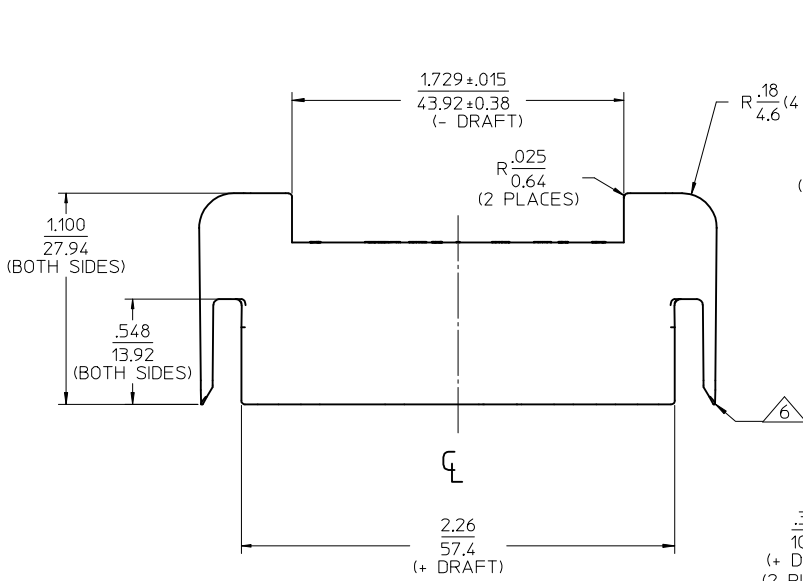
ITEM NO.	MATERIAL
44167-0001	A
44167-0003	B



DETAIL Z
SCALE 4:1

NOTES

- MATERIAL:
 - A: NYLON, PA66, UL94V-2, COLOR: NATURAL
 - B: NYLON, PA6, UL94V-2, COLOR: NATURAL (BEIGE)
 - IEC 60335-1 GLOW WIRE CAPABLE
- FINISH: NONE
- PRODUCT SPECIFICATION: PSX-42865-0001, PSX-42865-0002 & PS-43374-001
- PACKAGING SPECS: HOUSINGS ARE PACKED PER PK-42865-001.
- THIS CONNECTOR HOUSING FOR USE WITH TERMINALS:
 - .125/3.18 SPADE: 1508-* & 43374-***1 (4-PL MAX)
 - .250/6.35 SPADE: 41422-3***5** (2-PL MAX)
- THE OUTSIDE EDGES ASSOCIATED WITH THIS SURFACE TO HAVE .02/0.51 RADII.
- PART CONFORMS TO CLASS B REQUIREMENTS OF COSMETIC SPEC PS-45499-002. EXCEPTION: PARTS MOLDED IN MATERIAL B MEET CLASS 'C' REQUIREMENTS FOR FLASH, AND SINK.
- TEXT ON PART IS FOR REFERENCE ONLY. TEXT AND TEXT LOCATION MAY VARY DEPENDING ON PART NUMBER AND/OR TOOL.



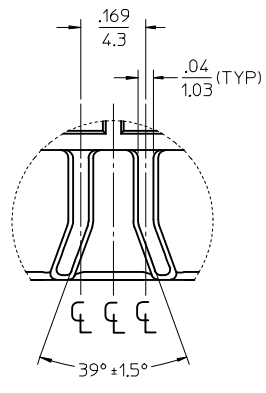
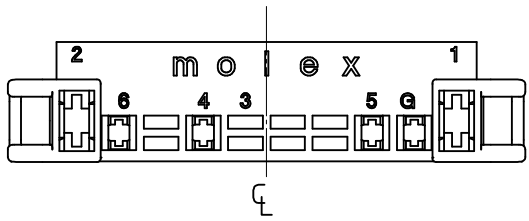
REV	DESCRIPTION	DATE	APPROVED BY
ADD	44167-0003	2017/01/04	UCP
EC NO:	UCP2017-1474		
DRWING	SLAFTER	2017/01/04	
CHKD:	JFOX	2017/01/05	
APPR:	FSMITH	2017/01/20	

QUALITY SYMBOLS	GENERAL TOLERANCES (UNLESS SPECIFIED)
▽=0	4 PLACES ± --- ± ---
▽=0	3 PLACES ± --- ± 0.010
▽=0	2 PLACES ± 0.25 ± 0.014
▽=0	1 PLACE ± 0.35 ± ---
▽=0	0 PLACE ± ±
	ANGULAR ±1/2°
	DRAFT WHERE APPLICABLE MUST REMAIN WITHIN DIMENSIONS

DIMENSION STYLE		SCALE		DESIGN UNITS		THIRD ANGLE PROJECTION	
IN/MM		1:1		INCH		◎ □	
DRAWN BY	DATE	TITLE				HOUSING CONNECTOR	
TGREGORI	2003/03/27	6 CKT.; TOOL REM. LATCH				DRYER MOTOR APPLICATION	
CHECKED BY	DATE	DRAWN BY				DATE	
BWIRKUS	2003/03/27	APPROVED BY				DATE	
		BWIRKUS				2003/03/27	
MATERIAL NO.		DOCUMENT NO.		SHEET NO.			
SEE CHART		SD-44167-001		1 OF 1			

THIS DRAWING CONTAINS INFORMATION THAT IS PROPRIETARY TO MOLEX INCORPORATED AND SHOULD NOT BE USED WITHOUT WRITTEN PERMISSION							
---	--	--	--	--	--	--	--

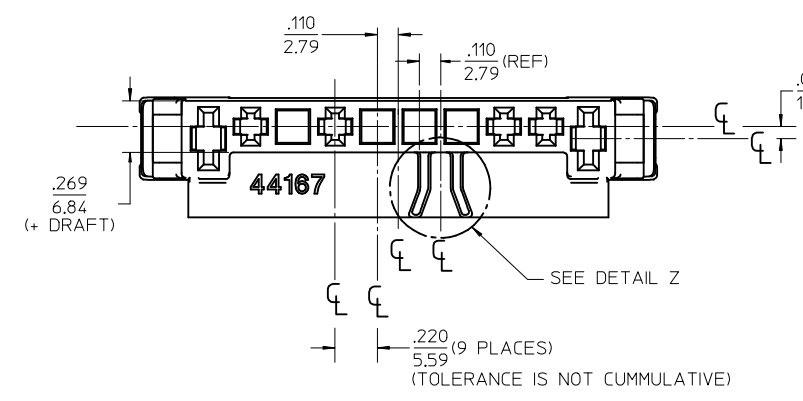
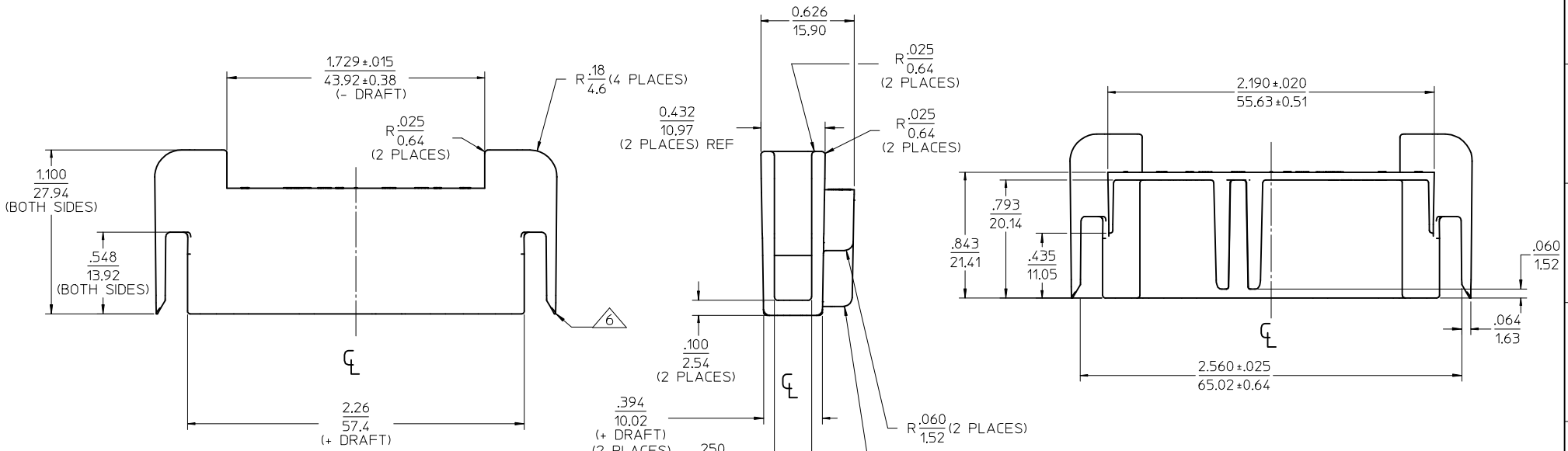
ITEM NO.	MATERIAL
44167-0001	A
44167-0003	B



DETAIL Z
SCALE 4:1

NOTES

- MATERIAL:
 - A: NYLON, PA66, UL94V-2, COLOR: NATURAL
 - B: NYLON, PA6, UL94V-2, COLOR: NATURAL (BEIGE)
 - IEC 60335-1 GLOW WIRE CAPABLE
- FINISH: NONE
- PRODUCT SPECIFICATION: PSX-42865-0001, PSX-42865-0002 & PS-43374-001
- PACKAGING SPECS: HOUSINGS ARE PACKED PER PK-42865-001.
- THIS CONNECTOR HOUSING FOR USE WITH TERMINALS:
 - .125/3.18 SPADE: 1508-* & 43374-***1 (4-PL MAX)
 - .250/6.35 SPADE: 41422-3***5** (2-PL MAX)
- THE OUTSIDE EDGES ASSOCIATED WITH THIS SURFACE TO HAVE .02/0.51 RADII.
- PART CONFORMS TO CLASS B REQUIREMENTS OF COSMETIC SPEC PS-45499-002. EXCEPTION: PARTS MOLDED IN MATERIAL B MEET CLASS 'C' REQUIREMENTS FOR FLASH, AND SINK.
- TEXT ON PART IS FOR REFERENCE ONLY. TEXT AND TEXT LOCATION MAY VARY DEPENDING ON PART NUMBER AND/OR TOOL.



REV	DESCRIPTION	QUALITY SYMBOLS	GENERAL TOLERANCES (UNLESS SPECIFIED)		DIMENSION STYLE		SCALE	DESIGN UNITS	THIRD ANGLE PROJECTION
			mm	INCH	IN/MM	DATE			
ADD	44167-0003		4 PLACES	± .010	± .010	TGREGORI	2003/03/27	HOUSING CONNECTOR 6 CKT.: TOOL REM. LATCH DRYER MOTOR APPLICATION 	DOCUMENT NO. SD-44167-001 SHEET NO. 1 OF 1
EC NO:	UCP2017-1474		3 PLACES	± .010	± 0.010	CHECKED BY	DATE		
DRWING:	SLAFTER	2017/01/04	2 PLACES	± 0.25	± 0.014	BWIRKUS	2003/03/27		
CHKD:	JFOX	2017/01/05	1 PLACE	± 0.35	± .---	APPROVED BY	DATE		
APPR:	FSMITH	2017/01/20	0 PLACE	±	±	BWIRKUS	2003/03/27		
MATERIAL NO. SEE CHART			ANGULAR ±1/2° DRAFT WHERE APPLICABLE MUST REMAIN WITHIN DIMENSIONS		SIZE 				