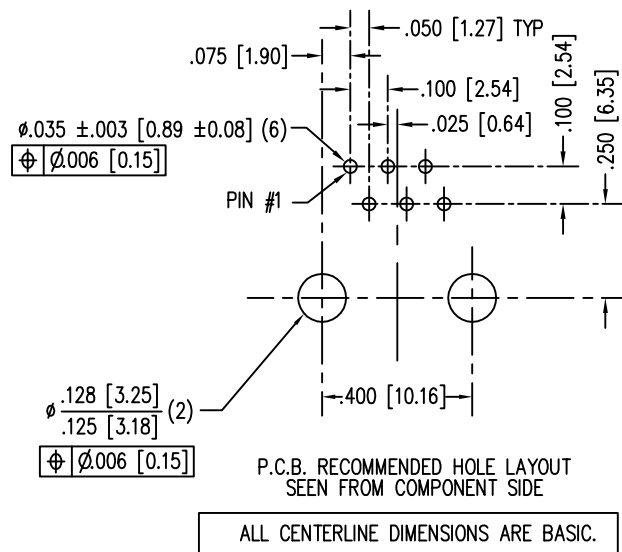
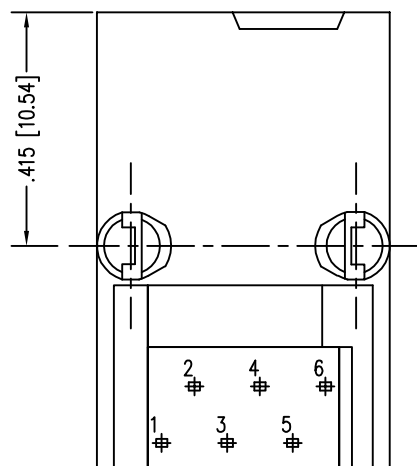
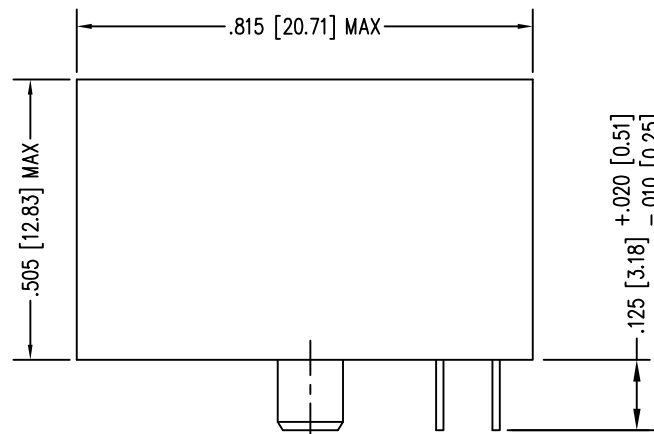
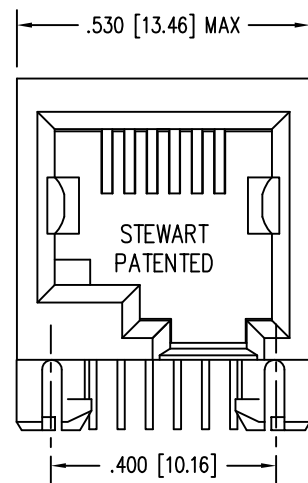


| DATE | REV | ECN | APP'D. BY |
|----------|-----|-------|-----------|
| 9-22-16 | B10 | 10763 | TRM |
| 10-24-16 | B11 | 10797 | TRM |
| | | | |



NOTES:

- CONNECTOR MATERIALS:
HOUSING: THERMOPLASTIC UL94 V-0
CONTACTS: COPPER ALLOY
CONTACT PLATING: SELECTIVE GOLD IN CONTACT AREA
SEE CHART FOR PART NUMBER
- FOR PRODUCT SPECIFICATIONS SEE PRO22-01.
- DIMENSIONS AND TOLERANCES COMPLY WITH TIA-1096 STANDARD.

| | |
|-----------------------------------|----------------|
| 30 MICRO-INCHES [0.76um] | SS-6466-NF-OST |
| CONTACT PLATING IN MATING AREA | PART NUMBER |

| | |
|--|--|
| THIRD ANGLE PROJECTION | |
| DO NOT SCALE DRAWING DRAWING IS SUBJECT TO CHANGE WITHOUT NOTICE | |
| DIMENSIONS: INCHES [METRIC] | |
| UNLESS OTHERWISE SPECIFIED TOLERANCES ARE $\pm .005 [0.13]$ ANGLES ARE $\pm 1^\circ$ | |
| SHEET NO. 1 OF 1 | |

1118 Susquehanna Trail South
Glen Rock, PA 17327-9199
(717) 235-7512
<http://www.stewartconnector.com>

| | |
|--|-------------|
| TITLE: SIX CONTACT, SIX POSITION OFFSET TAB JACK NON-FLANGE | |
| DRN BY: RVO | DATE 4-7-05 |
| APPD BY: RGC | DATE 4-7-05 |
| DWG NO. CT640022 | REV. B11 |

