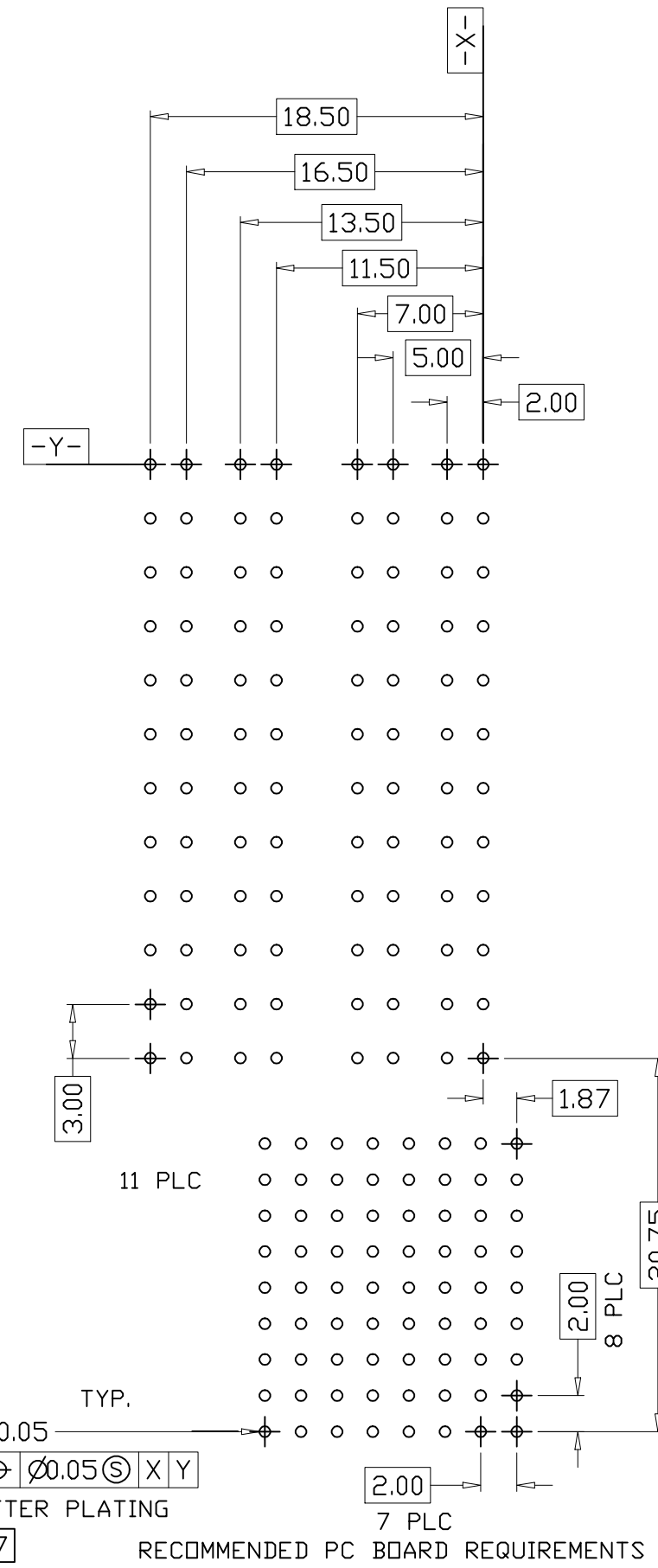
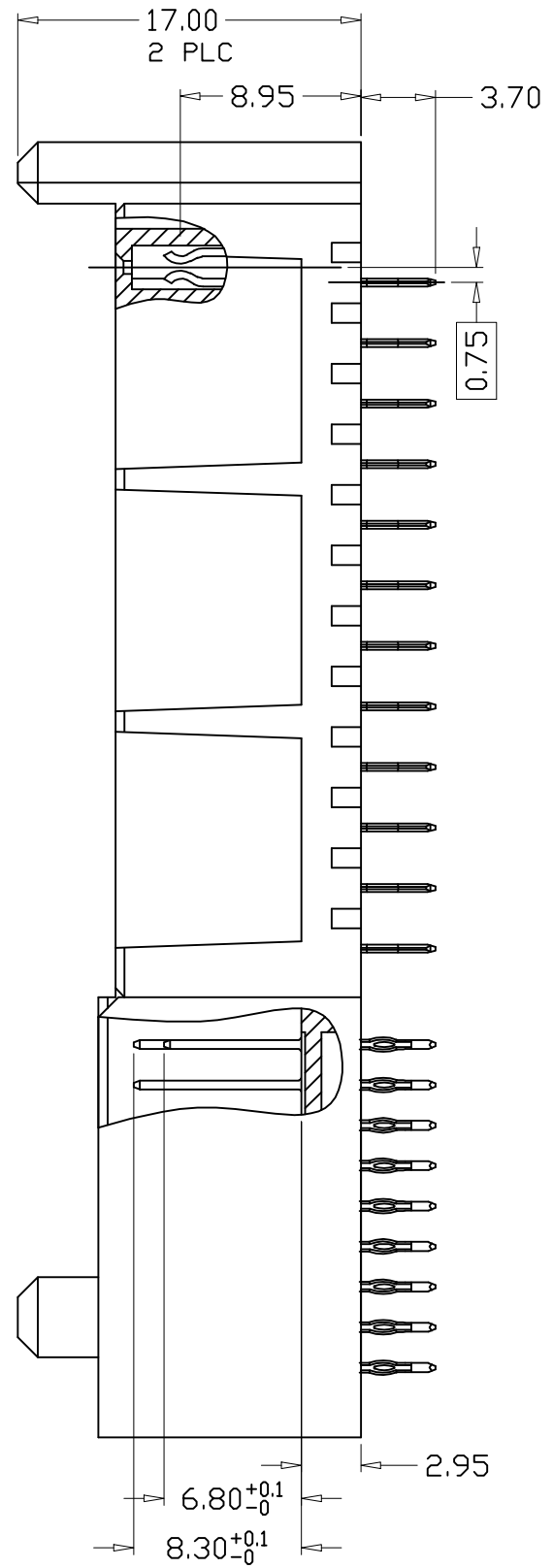
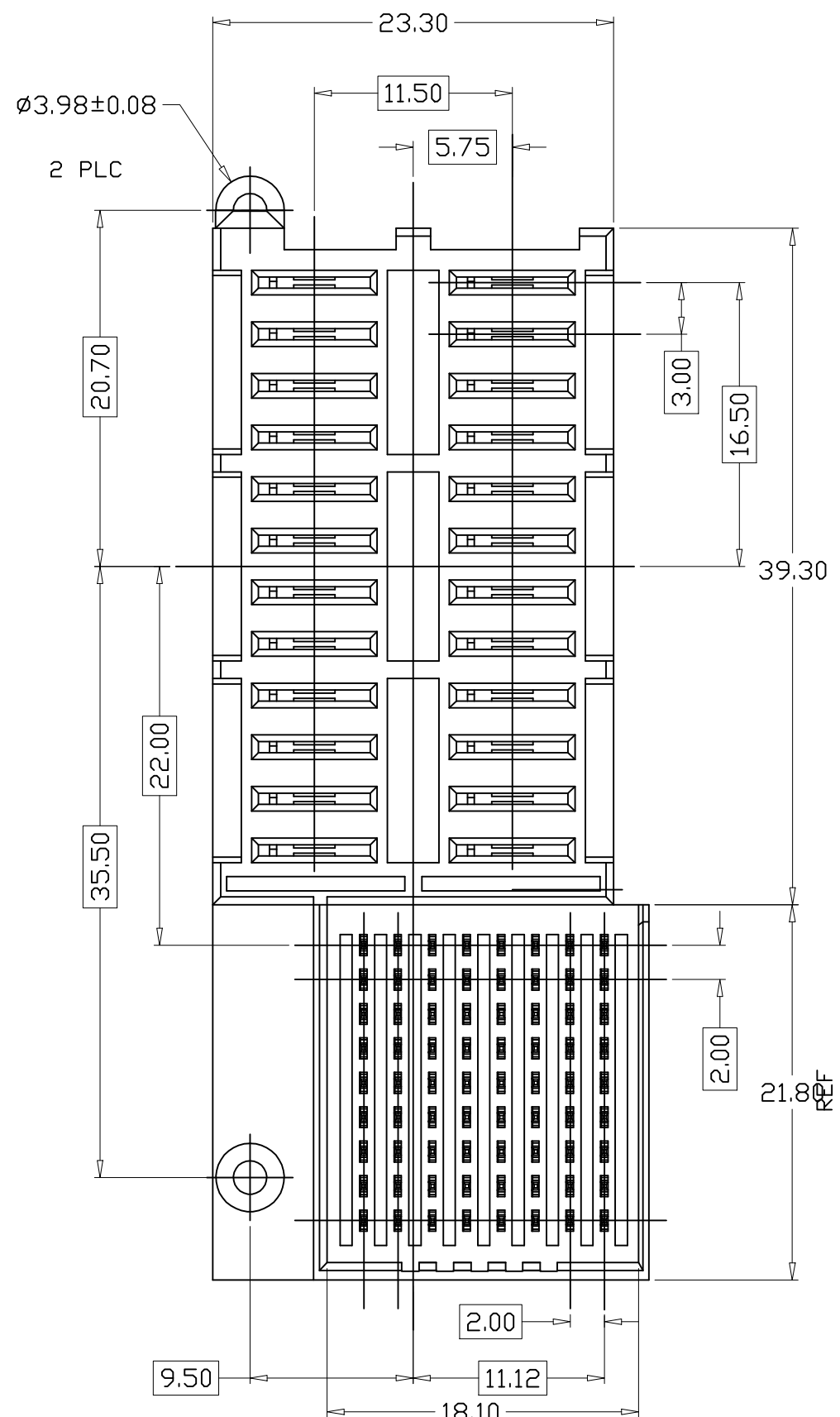
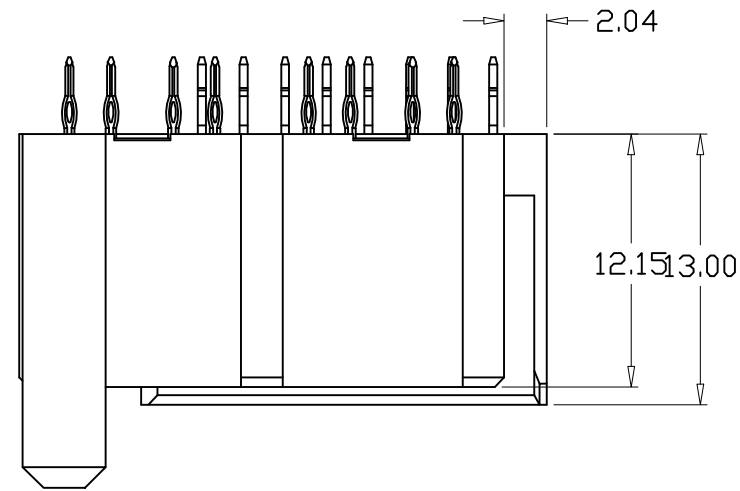


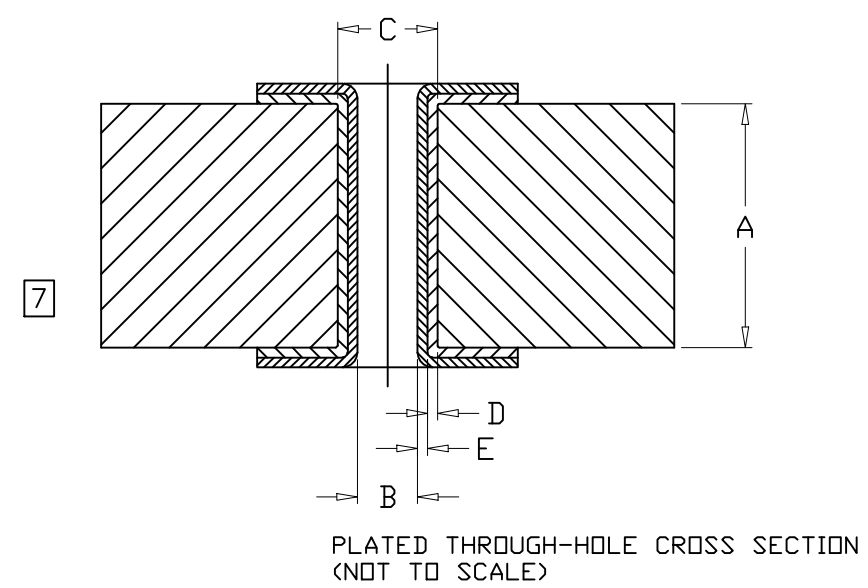
3M™ BACKPLANE HEADER AND POWER FEMALE MODULE FOR MicroTCA APPLICATIONS

NOTES:

1. MATERIALS
 - A. HOUSING: THERMOPLASTIC POLYESTER, GLASS FILLED RATED UL 94V-0, COLOR: GRAY
 - B. CONTACT: COPPER ALLOY, GOLD PLATING
2. PLATING:
 - AS: FINISH: MATING AREA- 0.76um Au
COMPLIANT PIN AREA-1.27um MIN MATTE Sn
1.27um MIN Ni ALL OVER
3. RATINGS:
 - A. VOLTAGE(TEST VOLTAGE): 80V r.m.s.
 - B. CURRENT RATING:
SIGNAL AND SIGNAL GND CONDUCTOR 0.625A/PIN
POWER BRANCH GND CONDUCTOR 11.625 A/PIN
 - C. MAXIMUM LINE RESISTANCES:
SIGNAL AND SIGNAL GND CONDUCTOR 25 MILLI OHMS
POWER BRANCH GND CONDUCTOR 5 MILLI OHMS
4. ENGAGING FORCE: 145N MAX;
SEPARATING FORCE: 110N MAX.
5. DURABILITY: 200 MATING CYCLES
6. FOR PRODUCT SPECIFICATION AND WARRANTY INFORMATION SEE 78-5102-0084-9
7. PCB HOLE DIMENSIONS
8. SEE THE REGULATORY INFORMATION APPENDIX (RIA) IN THE "RoHS COMPLIANCE" SECTION OF: WWW.3MCONNECTOR.COM FOR COMPLIANCE INFORMATION (RIA E1 & C1 APPLY).
9. REFERENCE DOCUMENT 78-9101-3345-9
10. IN THE EVENT OF CONFLICT BETWEEN THIS DATA AND THAT CONTAINED IN THE PRODUCT SPEC., THE PRODUCT SPEC. TAKES PRECEDENT.
11. PART NUMBER: 1P02-1110-AS
12. FOR MATING PRODUCT USE:
1P01-11X0-XX MicroTCA RIGHT ANGLE SOCKET AND POWER MALE MODULE



HOLE PLATING TABLE		Dimension
A	PCB Thickness	Min. 1.4mm
B	Plated Through Hole Dia.	0.60 +/- 0.05mm
C	Drill Hole Diameter	0.70 +/- 0.02mm
D	Cu Thickness	Min. 25µm
E	Plating Thickness	Min. 0.5µm Immersion Sn



RECOMMENDED PC BOARD REQUIREMENTS

DESIGN REFERENCE	NEXT ASSEMBLY	REV	33179	REMOVED-HM PLATING AND 2.25mm CONTACT OPTIONS	ML	TS
DISTRIBUTION CODES		DRFT	ML	ISSUE DATE AND DESCRIPTION	DRFT	CHKD
		DATE	10/05/10	MFG	DATE	
		CHKD	TS	DATE 10/05/10	APPL	AM
		DATE	10/05/10	DATE	10/05/10	
DIVISION	DIVISION CODE	3M 3M Center St. Paul, MN 55144		© 3M COPYRIGHT. This document is the copyrighted property of the 3M Company and may not be reproduced without 3M written permission or used for other than 3M authorized purposes.		
DO NOT SCALE DRAWING	SCALE	TOLERANCES EXCEPT AS NOTED	TITLE			
		INCHES .0 ± * .00 ± * .000 ± * .0000 ± *	1P02-1110-AS MicroTCA BACKPLANE HEADER AND POWER FEMALE MODULE			
THIRD ANGLE PROJECTION	INTERPRET PER ASME Y14.5 - 1994	MILLIMETERS 0 ± * .0 ± 0.3 .00 ± 0.20 .000 ± 0.100	CAGE NUMBER	SIZE	DRAWING NO.	REV.
	MAX SURFACE ROUGHNESS □ ALL SURFACES ✓ □ MARKED ONLY	ANGLES ± 1°	C	C	78-5100-2366-2	B
			MODEL	DET. LISTS	□ YES □ NO	SHT 1 OF 1