

NOTES: UNLESS OTHERWISE SPECIFIED

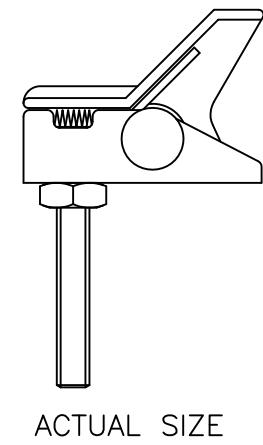
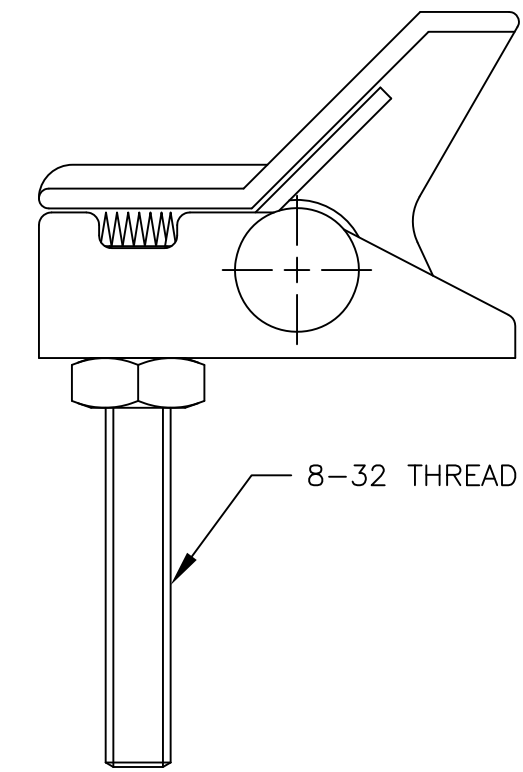
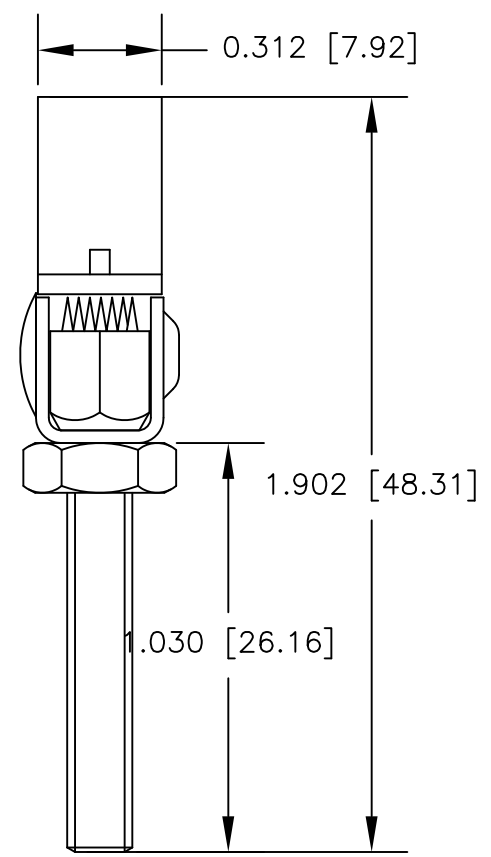
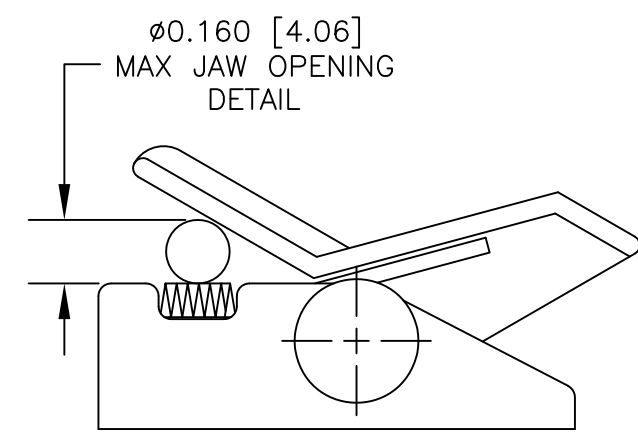
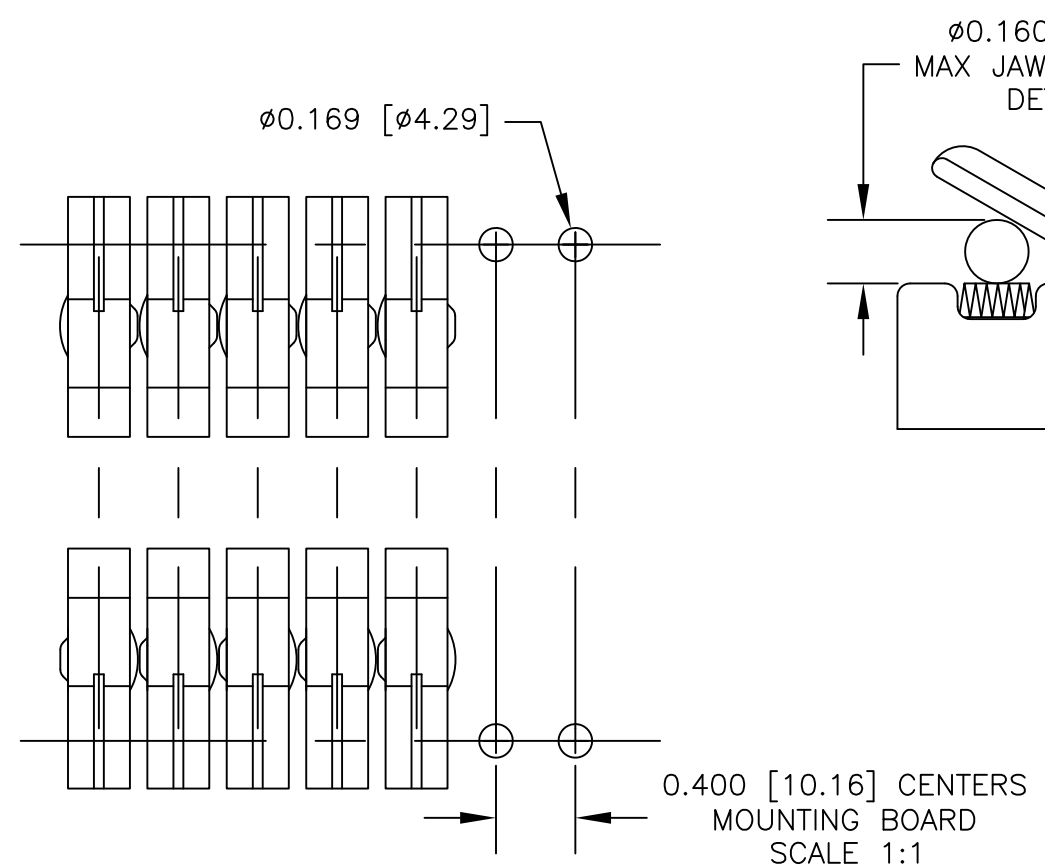
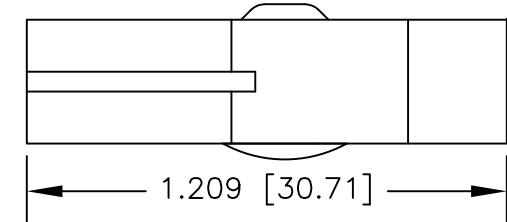
1. CONSTRUCTION:

LEVER: MOLDED NYLON. AVAILABLE IN TEN COLORS.
 NEEDLE CLUSTER CUP: BRIGHT TIN PLATED BRASS.
 NEEDLE CLUSTER NEEDLES: BRIGHT TIN PLATED STEEL.
 FRAME: COPPER, NICKEL & TIN PLATED STEEL.
 HARDWARE: ZINC TRIVALENT STEEL.

2. PERFORMANCE:

MAXIMUM CURRENT: 500 mA
 MAXIMUM VOLTAGE: 0 V
 MAXIMUM TEMPERATURE: 200°F (93°C)

LTR	REVISIONS		DATE	APPROVED
	DESCRIPTION			



		UNLESS OTHERWISE SPECIFIED DIMENSIONS ARE IN INCHES TOLERANCES ARE: FRACTIONS DECIMALS ANGLES ± .XX ± ± .XXX ±	CONTRACT NO.		E-Z-HOOK DIVISION OF TEKTEST INC. ARCADIA, CA 91006 U.S.A.
			APPROVALS	DATE	
		MATERIAL SEE NOTE.	DRAWN R.L.	2/11	DESCRIPTION INSULATION PIERCING WIRE CLAMP
		FINISH SEE NOTE.	APPROVED BY		
NEXT ASSY	USED ON				SIZE B
APPLICATION		DO NOT SCALE DRAWING			CODE IDENT NO. 08505
					DRAWING NO. 82-2
					REV.
					SCALE 2:1
					SHEET 1 OF 1