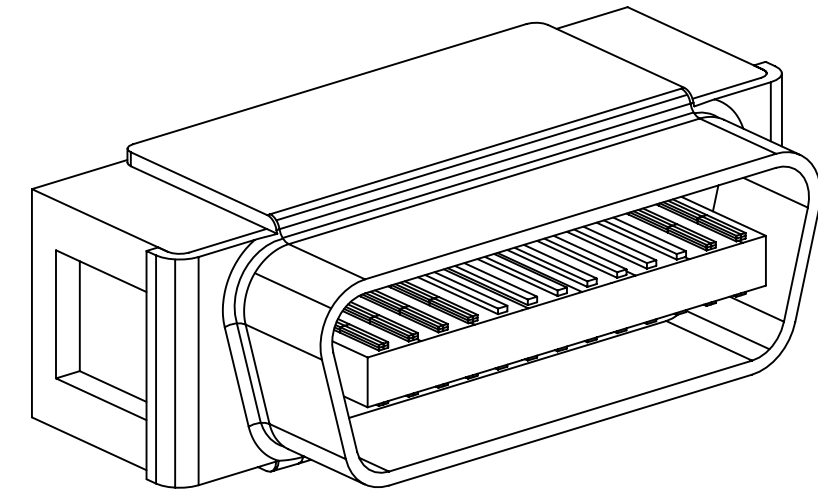


3M™ MINI D RIBBON (MDR) CONNECTORS, 101 SERIES
 .050" STRADDLEMOUNT PLUG - SHIELDED



101XX-900APX
 PLUG

2 PHYSICAL :

INSULATION MATERIAL :
 BODY: GLASS REINFORCED POLYESTER (PCT)
 INSERT MOLD: GLASS REINFORCED POLYESTER (LCP)
 FLAMMABILITY: UL94V-0
 COLOR: BLACK
 CONTACT MATERIAL: COPPER ALLOY
 PLATING:
 UNDER PLATING: 80µ" (2.0µm) NICKEL-OVERALL
 WIPING AREA: SEE ORDERING INFORMATION
 SOLDER TAILS: GOLD FLASH OVER NICKEL (RIA E1 & C1 APPLY)
 BODY MATERIAL: ZINC ALLOY
 PLATING: NICKEL
 SHROUD MATERIAL: STEEL
 PLATING: NICKEL
 MARKINGS: 3M LOGO AND PART NUMBER

2 ELECTRICAL :

CURRENT RATING: 1A
 INSULATION RESISTANCE: >5 X 10⁹Ω AT 500 V_{DC}
 WITHSTANDING VOLTAGE: 500V_{RMS} FOR 1 MINUTE

2 ENVIRONMENTAL :

TEMPERATURE RATING: -20°C TO 85°C

- NOTES
- REGULATORY INFORMATION:
 VISIT 3M.com/regs
 - IN THE EVENT OF CONFLICT BETWEEN THIS DATA AND THAT CONTAINED IN THE PRODUCT SPECIFICATION, THE PRODUCT SPECIFICATION TAKES PRECEDENT.
 - THERE ARE TWO SLOTS IN THE PLUG THAT ARE A STOP FOR THE PCB BOARD TO KEEP IT FROM ENTERING FURTHER INTO THE PLUG.

ORDERING INFORMATION

101XX-900APX

CONTACT QTY:
 (SEE TABLE 1)
 NOTE: AO=100

WIPING CONTACT PLATING:
 L = 8µ" [0.2µm] MIN. GOLD (RIA E1 & C1 APPLY)
 C = 30µ" [0.76µm] MIN. GOLD (RIA E1 & C1 APPLY)

COMPATIBLE BOARD THICKNESS:
 A = 1.0MM STANDARD
 O = 1.6MM SPECIAL ORDER

DIMENSIONS: INCHES [MM]
 [MM] IS REF. ONLY

3M ELECTRONICS MATERIALS SOLUTIONS DIVISION
 INTERCONNECT SOLUTIONS
<http://www.3M.com/interconnect>

3M IS A TRADEMARK OF 3M COMPANY.
 FOR TECHNICAL, SALES OR ORDERING
 INFORMATION CALL 800-225-5373

3M
 UL FILE NO: E68080

REV	ECO	ISSUE DATE AND DESCRIPTION	DRFT	CHKD
E	95427	FEB 11, 2021 REVISE 68P DIM C	JNC	FJR
D	28356	FEB 20, 2017 2-20-17 ADD 3M NOTE TO SHT2 7-7-15 REVISED & REDRAWN, 7-15-16 REVISED PCB LAYOUT	JNC	DC
REV	CASTIGLIONE	DATE JUL 07, 2015	DATE JUL 07, 2015	DATE JUL 07, 2015
CHKD		DATE JUL 07, 2015	DATE JUL 07, 2015	DATE JUL 07, 2015

DESIGN REFERENCE	NEXT ASSEMBLY	REV	ECO	ISSUE DATE AND DESCRIPTION	DRFT	CHKD
DO NOT SCALE DRAWING	SCALE 4/1	TOLERANCES EXCEPT AS NOTED	© 3M COPYRIGHT 2021 This document and the information it contains are 3M property and may not be reproduced or further distributed without 3M permission, or used or disclosed other than for 3M authorized purposes. All rights reserved.			
THIRD ANGLE PROJECTION	INTERPRET PER ASME Y14.5 - 2018	MILLIMETERS 0 ± 2	TITLE MINI D RIBBON (MDR) CONNECTOR, .050" STRADDLEMOUNT PLUG			
MAX SURFACE ROUGHNESS	MARKED SURFACES	INCHES .00 ± .01 .000 ± .005 .0000 ± .0002	CAGE NUMBER D 78-5100-0698-0			
MARKED ONLY	ANGLES	0 ± .3 .00 ± .13 .000 ± .005	DRAWING NO. 78-5100-0698-0			
			MODEL 101XX			

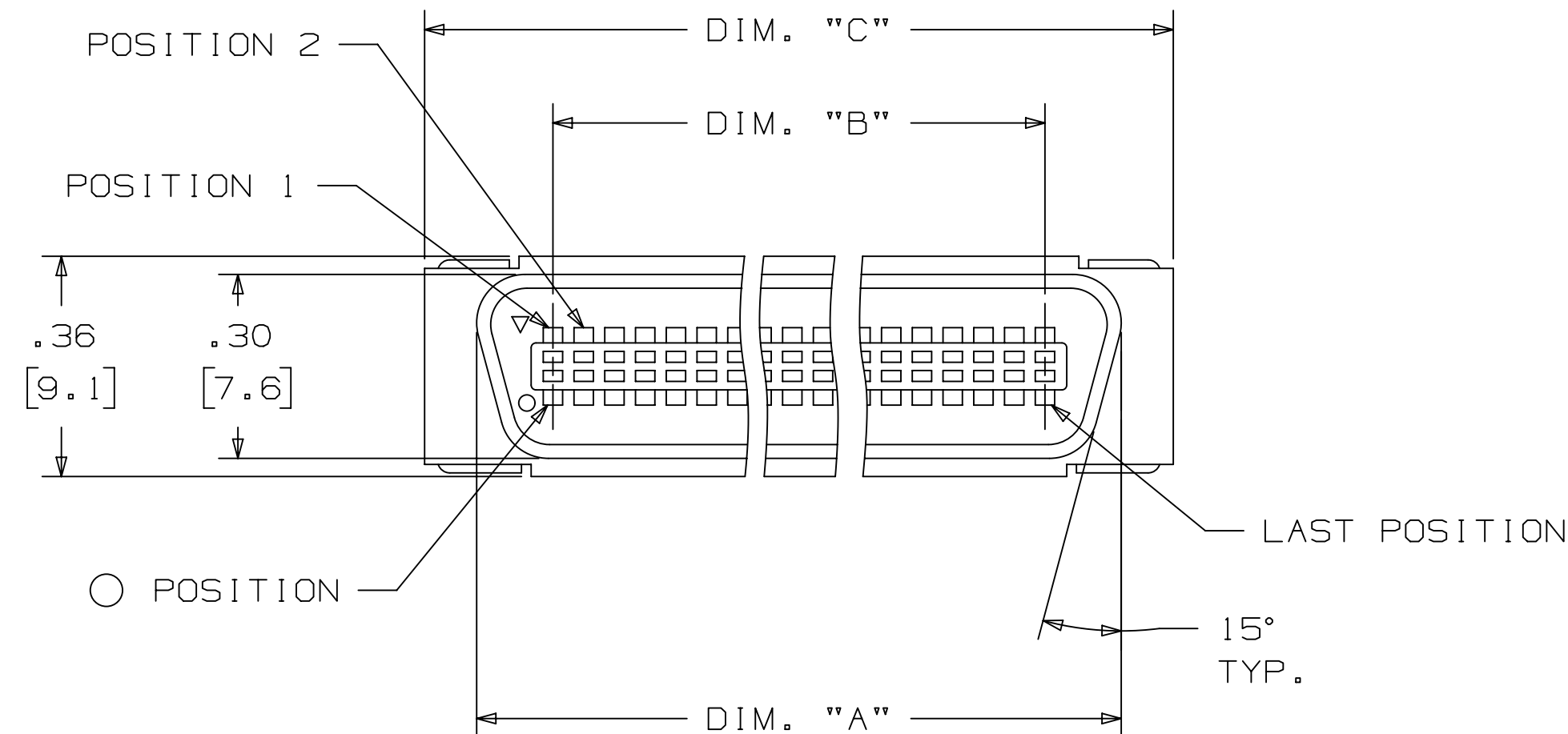
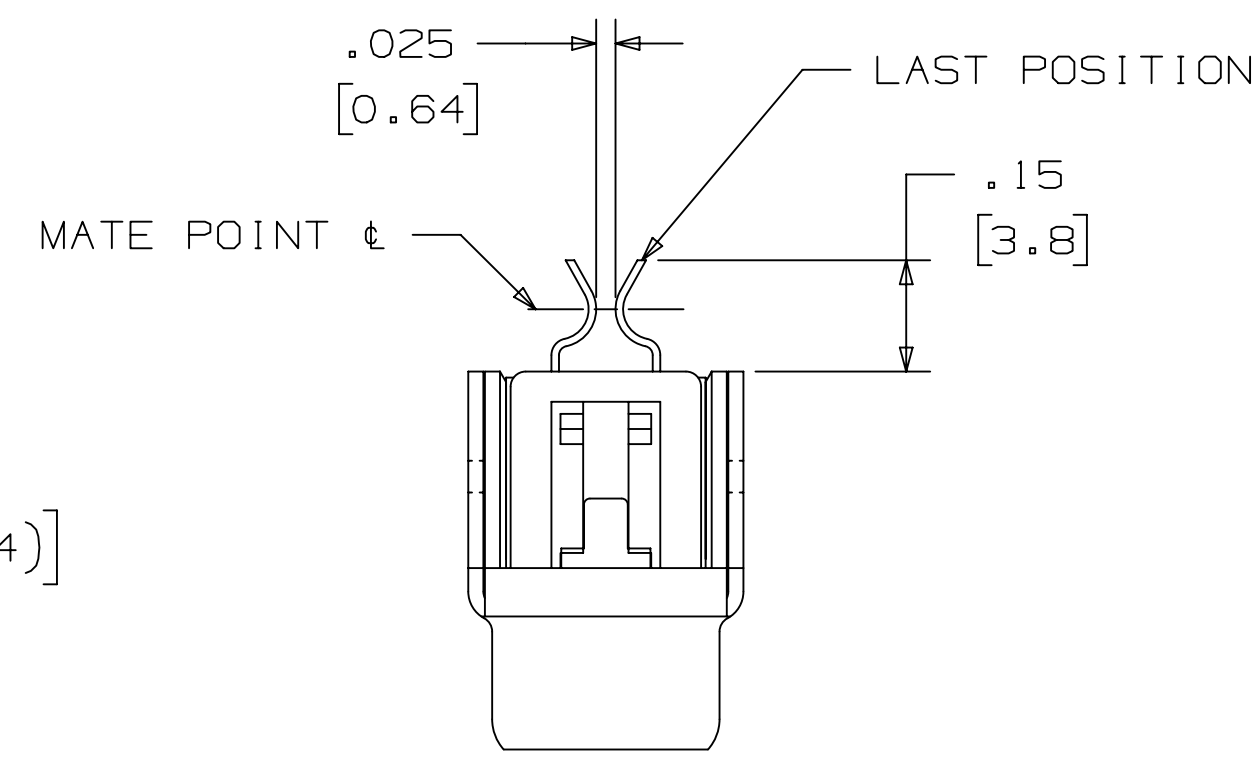
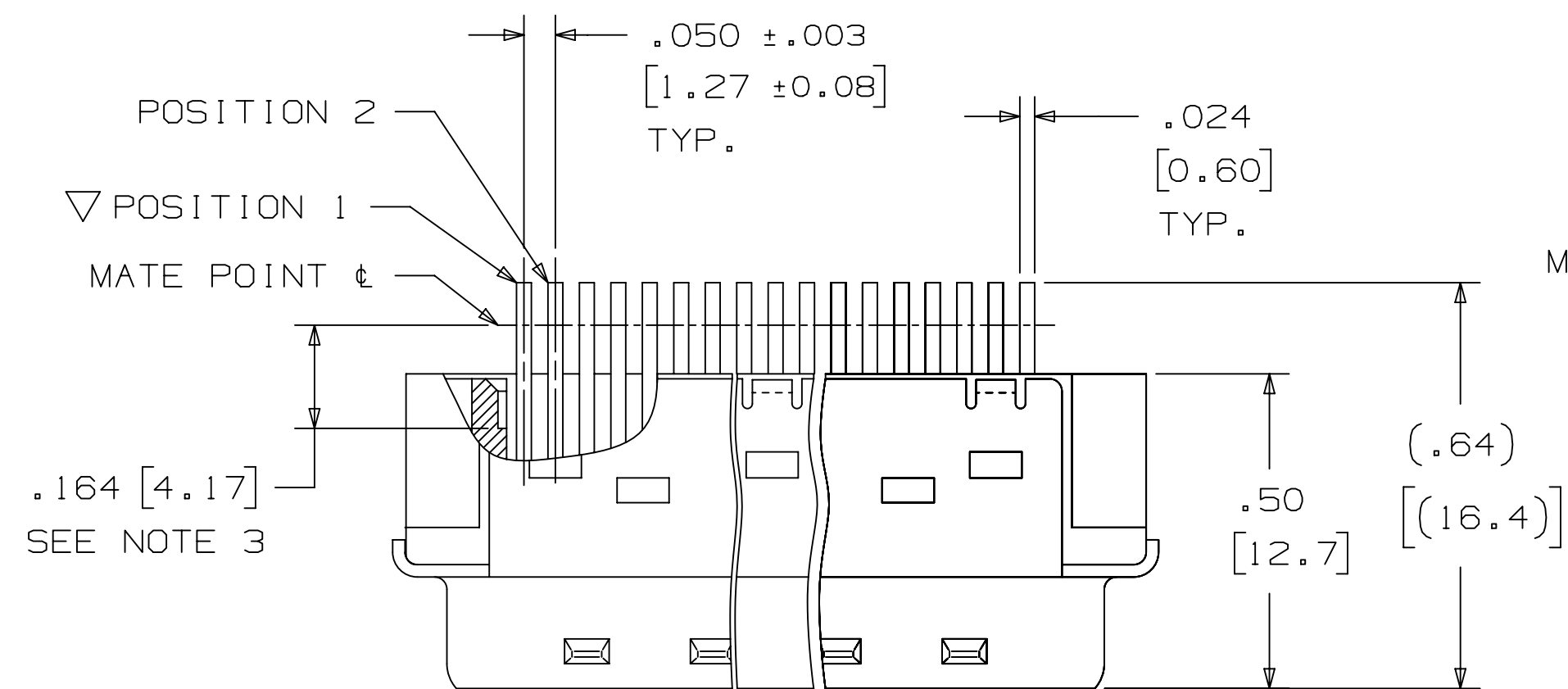
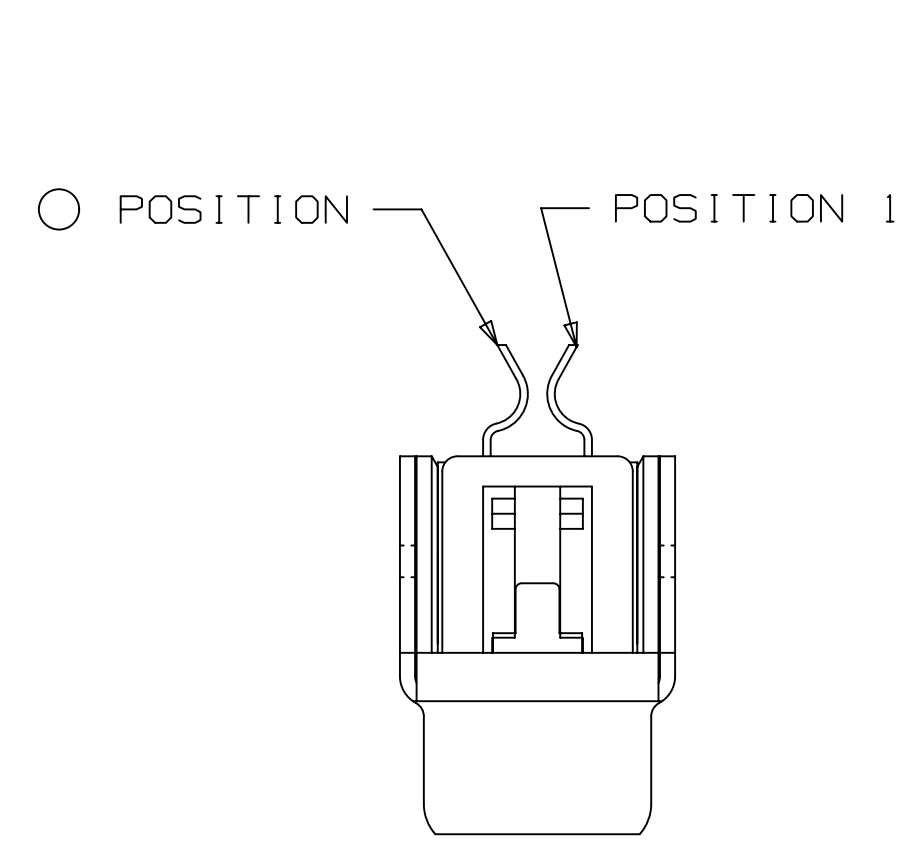
78-5100-0698-0
 DRAWING NUMBER

A

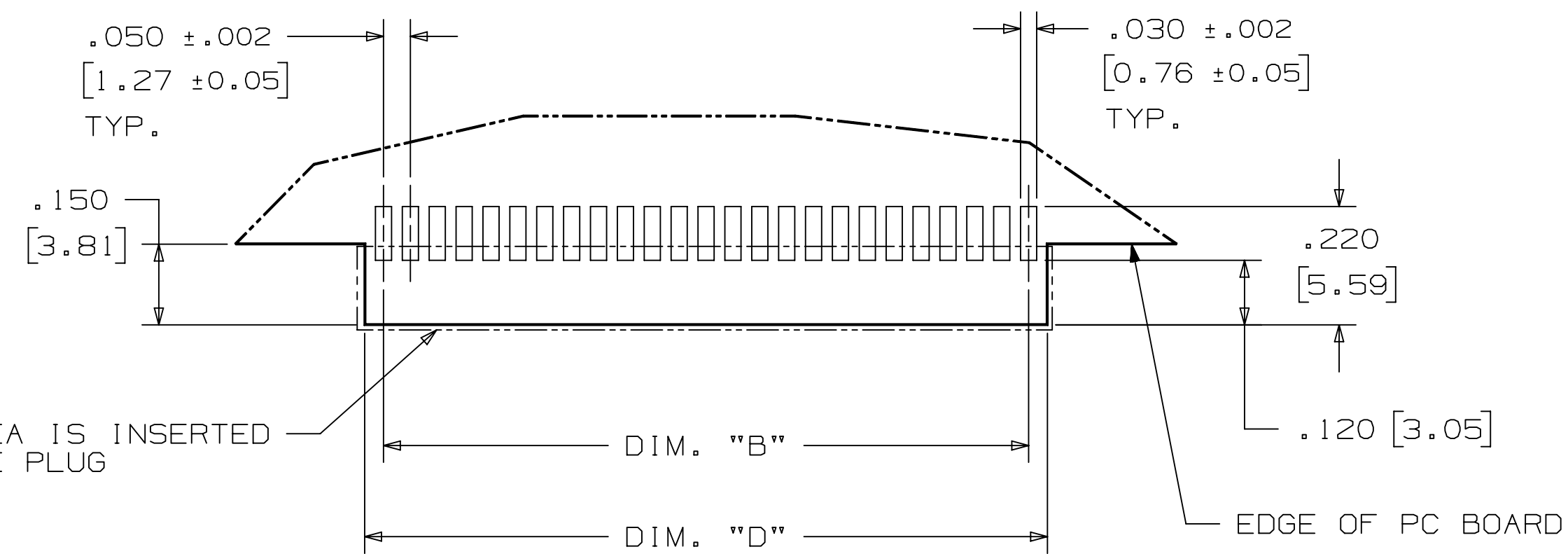
SHT 1 OF 3

3M™ MINI D RIBBON (MDR) CONNECTORS, 101 SERIES

.050" STRADDLEMOUNT PLUG - SHIELDED



POSITIONS	DIM. "A"	DIM. "B"	DIM. "C"	DIM. "D"
26	.84 [21.4]	.60 [15.2]	1.02 [25.8]	.68 [17.2]
50	1.44 [36.6]	1.20 [30.5]	1.62 [41.1]	1.27 [32.3]
68	1.89 [48.1]	1.65 [41.9]	2.07 [52.5]	1.72 [43.7]
100	2.66 [67.5]	2.45 [62.2]	2.87 [72.8]	2.52 [64.0]



THIS AREA IS INSERTED INTO THE PLUG

RECOMMENDED PAD LAYOUT
(SOLDER PAD PATTERN REPEATED ON BOTH SIDES OF BOARD)

3M ELECTRONICS MATERIALS SOLUTIONS DIVISION
INTERCONNECT SOLUTIONS
<http://www.3M.com/interconnect>

3M IS A TRADEMARK OF 3M COMPANY.
FOR TECHNICAL, SALES OR ORDERING
INFORMATION CALL 800-225-5373

DESIGN REFERENCE	NEXT ASSEMBLY	REV	ECO	ISSUE DATE AND DESCRIPTION	DRFT	CHKD
		DRFT	CASTIGLIONE	DATE JUL 07, 2015	MFG	DATE
		CHKD		DATE JUL 07, 2015	APPV	DATE JUL 07, 2015
					B. CRONCH	
DIVISION		DIVISION CODE				
DO NOT SCALE DRAWING	SCALE 4 1	TOLERANCES EXCEPT AS NOTED				
THIRD ANGLE PROJECTION		INCHES 0 ±.1 .00 ±.01 .000 ±.005 .0000 ±.0002				
INTERPRET PER ASME Y14.5 - 2018		MILLIMETERS 0 ±.3 .00 ±.13 .000 ±.005				
MAX. SURFACE ROUGHNESS		CAGE NUMBER				
MARKED ONLY		D 78-5100-0698-0				
		MODEL 101XX				
		REV. E				
		SHEET 2 OF 3				

78-5100-0698-0
DRAWING NUMBER
E
REVISION

3M™ MINI D RIBBON (MDR) CONNECTORS, 101 SERIES

.050" STRADDLEMOUNT PLUG - SHIELDED

Regulatory: For regulatory information about this product, visit 3M.com/regs or contact your 3M representative.

Technical Information: The technical information, recommendations and other statements contained in this document are based upon tests or experience that 3M believes are reliable, but the accuracy or completeness of such information is not guaranteed.

Product Use: Many factors beyond 3M's control and uniquely within user's control can affect the use and performance of a 3M product in a particular application. Given the variety of factors that can affect the use and performance of a 3M product, user is solely responsible for evaluating the 3M product and determining whether it is fit for a particular purpose and suitable for user's method of application.


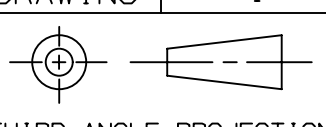
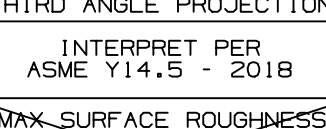
Warranty, Limited Remedy, and Disclaimer: Unless an additional warranty is specifically stated on the applicable 3M product packaging or product literature, 3M warrants that each 3M product meets the applicable 3M product specification at the time 3M ships the product. 3M MAKES NO OTHER WARRANTIES OR CONDITIONS, EXPRESS OR IMPLIED, INCLUDING, BUT NOT LIMITED TO, ANY IMPLIED WARRANTY OR CONDITION OF MERCHANTABILITY OR FITNESS FOR A PARTICULAR PURPOSE OR ANY IMPLIED WARRANTY OR CONDITION ARISING OUT OF A COURSE OF DEALING, CUSTOM OR USAGE OR TRADE. If the 3M product does not conform to this warranty, then the sole and exclusive remedy is, at 3M's option, replacement of the 3M product or refund of the purchase price.

Limitation of Liability: Except where prohibited by law, 3M will not be liable for any loss or damage arising from the 3M product, whether direct, indirect, special, incidental or consequential, regardless of the legal theory asserted, including warranty, contract, negligence or strict liability.

3M Company
 Electronics Materials Solutions Division
 13011 McCallen Pass, Bldg. C
 Austin, TX 78753-5380
 1-800-225-5373
www.3M.com/interconnect

3M ELECTRONICS MATERIALS SOLUTIONS DIVISION
 INTERCONNECT SOLUTIONS
<http://www.3M.com/interconnect>

3M IS A TRADEMARK OF 3M COMPANY.
 FOR TECHNICAL, SALES OR ORDERING
 INFORMATION CALL 800-225-5373

DESIGN REFERENCE	NEXT ASSEMBLY	REV	ECO	ISSUE DATE AND DESCRIPTION	DRFT	CHKD
DCRSP CODES		DRFT	CASTIGLIONE	DATE	JUL 07, 2015	MFG
		CHKD		DATE		
DIVISION	DIVISION CODE	APPRV	B. CRONCH	DATE	JUL 07, 2015	
DO NOT SCALE DRAWING	SCALE 1	 3M Center St. Paul, MN 55144		© 3M COPYRIGHT 2021 This document and the information it contains are 3M property and may not be reproduced or further distributed without 3M permission, or used or disclosed other than for 3M authorized purposes. All rights reserved.		
THIRD ANGLE PROJECTION		TOLERANCES EXCEPT AS NOTED INCHES .0 ± .1 .00 ± .01 .000 ± .005 .0000 ± .0002		TITLE MINI D RIBBON (MDR) CONNECTOR, .050" STRADDLEMOUNT PLUG		
INTERPRET PER ASME Y14.5 - 2018		MILLIMETERS 0 ± 2 .0 ± .3 .00 ± .13 .000 ± .005		CAGE NUMBER	SIZE	DRAWING NO.
MAX SURFACE ROUGHNESS	<input checked="" type="checkbox"/> ALL SURFACES <input type="checkbox"/> MARKED ONLY	MODEL	101XX	D	78-5100-0698-0	E
		ANGLES ±		REV.	DET	SHT 3 OF 3

78-5100-0698-0 DRAWING NUMBER