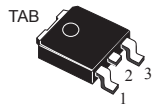
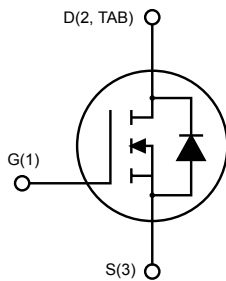


N-channel 60 V, 3.1 mΩ typ., 80 A STripFET F7 Power MOSFET in a DPAK package


DPAK


AM01475v1_noZen

Features

Order code	V _{DS}	R _{DS(on)} max.	I _D	P _{TOT}
STD140N6F7	60 V	3.8 m Ω	80 A	134 W

- Among the lowest R_{DS(on)} on the market
- Excellent FoM (figure of merit)
- Low C_{rss}/C_{iss} ratio for EMI immunity
- High avalanche ruggedness

Applications

- Switching applications

Description

This N-channel Power MOSFET utilizes STripFET F7 technology with an enhanced trench gate structure that results in very low on-state resistance, while also reducing internal capacitance and gate charge for faster and more efficient switching.



Product status

STD140N6F7

Product summary

Order code	STD140N6F7
Marking	140N6F7
Package	DPAK
Packing	Tape and reel

1 Electrical ratings

Table 1. Absolute maximum ratings

Symbol	Parameter	Value	Unit
V_{DS}	Drain-source voltage	60	V
V_{GS}	Gate-source voltage	±20	V
$I_D^{(1)}$	Drain current (continuous) at $T_{case} = 25\text{ °C}$	80	A
	Drain current (continuous) at $T_{case} = 100\text{ °C}$	80	
$I_{DM}^{(2)}$	Drain current (pulsed)	320	A
P_{TOT}	Total power dissipation at $T_{case} = 25\text{ °C}$	134	W
$E_{AS}^{(3)}$	Single pulse avalanche energy	200	mJ
$dv/dt^{(4)}$	Drain-body diode dynamic dv/dt ruggedness	7.1	V/ns
T_{stg}	Storage temperature range	-55 to 175	°C
T_j	Operating junction temperature range		

1. Current is limited by package.
2. Pulse width is limited by safe operating area.
3. starting $T_j = 25\text{ °C}$, $I_D = 20\text{ A}$, $V_{DD} = 30\text{ V}$.
4. $I_{SD} = 80\text{ A}$; $di/dt = 600\text{ A}/\mu\text{s}$; $V_{DD} = 48\text{ V}$; $T_j < T_{jmax}$

Table 2. Thermal data

Symbol	Parameter	Value	Unit
$R_{thj-pcb}^{(1)}$	Thermal resistance junction-pcb	50	°C/W
R_{thj-c}	Thermal resistance junction-case	1.12	

1. When mounted on FR-4 board of 1 inch², 2oz Cu, $t < 10\text{ s}$.

2 Electrical characteristics

($T_{\text{case}} = 25\text{ }^{\circ}\text{C}$ unless otherwise specified)

Table 3. On/off-states

Symbol	Parameter	Test conditions	Min.	Typ.	Max.	Unit
$V_{(\text{BR})\text{DSS}}$	Drain-source breakdown voltage	$V_{\text{GS}} = 0\text{ V}$, $I_{\text{D}} = 1\text{ mA}$	60			V
I_{DSS}	Zero gate voltage drain current	$V_{\text{GS}} = 0\text{ V}$, $V_{\text{DS}} = 60\text{ V}$			1	μA
I_{GSS}	Gate-body leakage current	$V_{\text{DS}} = 0\text{ V}$, $V_{\text{GS}} = 20\text{ V}$			100	nA
$V_{\text{GS(th)}}$	Gate threshold voltage	$V_{\text{DS}} = V_{\text{GS}}$, $I_{\text{D}} = 250\text{ }\mu\text{A}$	2		4	V
$R_{\text{DS(on)}}$	Static drain-source on-resistance	$V_{\text{GS}} = 10\text{ V}$, $I_{\text{D}} = 40\text{ A}$		3.1	3.8	m Ω

Table 4. Dynamic

Symbol	Parameter	Test conditions	Min.	Typ.	Max.	Unit
C_{iss}	Input capacitance	$V_{\text{DS}} = 30\text{ V}$, $f = 1\text{ MHz}$, $V_{\text{GS}} = 0\text{ V}$	-	3100	-	pF
C_{oss}	Output capacitance		-	1520	-	
C_{riss}	Reverse transfer capacitance		-	193	-	
Q_{g}	Total gate charge	$V_{\text{DD}} = 30\text{ V}$, $I_{\text{D}} = 80\text{ A}$, $V_{\text{GS}} = 0\text{ to }10\text{ V}$ (see Figure 13. Test circuit for gate charge behavior)	-	55	-	nC
Q_{gs}	Gate-source charge		-	19	-	
Q_{gd}	Gate-drain charge		-	18	-	

Table 5. Switching times

Symbol	Parameter	Test conditions	Min.	Typ.	Max.	Unit
$t_{\text{d(on)}}$	Turn-on delay time	$V_{\text{DD}} = 30\text{ V}$, $I_{\text{D}} = 40\text{ A}$, $R_{\text{G}} = 4.7\text{ }\Omega$, $V_{\text{GS}} = 10\text{ V}$ (see Figure 12. Test circuit for resistive load switching times and Figure 17. Switching time waveform)	-	24	-	ns
t_{r}	Rise time		-	68	-	
$t_{\text{d(off)}}$	Turn-off delay time		-	39	-	
t_{f}	Fall time		-	20	-	

Table 6. Source-drain diode

Symbol	Parameter	Test conditions	Min.	Typ.	Max.	Unit
$V_{\text{SD}}^{(1)}$	Forward on voltage	$V_{\text{GS}} = 0\text{ V}$, $I_{\text{SD}} = 80\text{ A}$	-		1.2	V
t_{rr}	Reverse recovery time	$I_{\text{SD}} = 80\text{ A}$, $di/dt = 100\text{ A}/\mu\text{s}$, $V_{\text{DD}} = 48\text{ V}$ (see Figure 14. Test circuit for inductive load switching and diode recovery times)	-	42.4		ns
Q_{rr}	Reverse recovery charge		-	36.2		nC
I_{RRM}	Reverse recovery current		-	1.8		A

1. Pulse test: pulse duration = 300 μs , duty cycle 1.5%.

2.1 Characteristics curves

Figure 1. Safe operating area

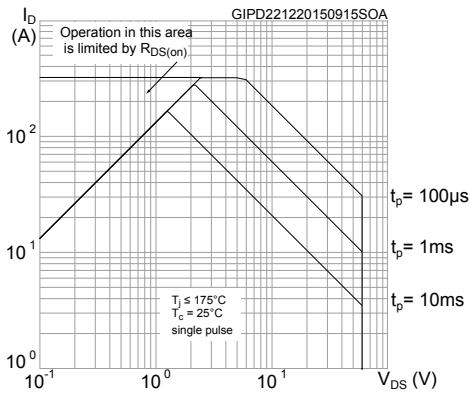


Figure 2. Thermal impedance

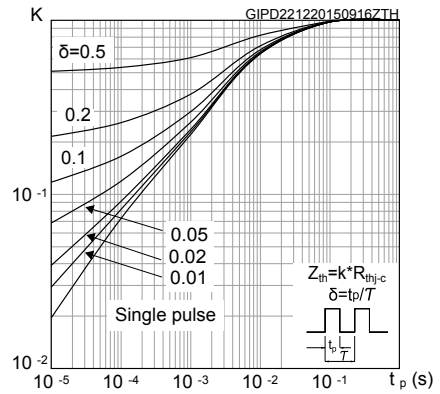


Figure 3. Output characteristics

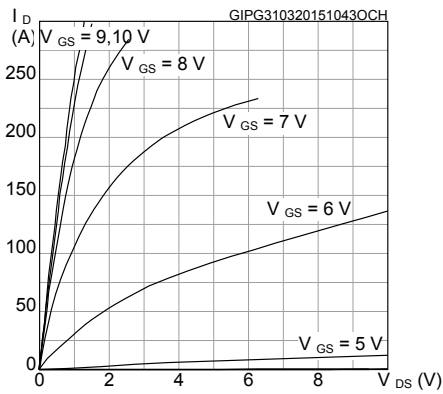


Figure 4. Transfer characteristics

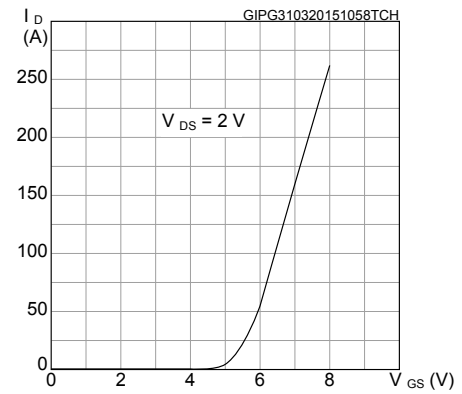


Figure 5. Gate charge vs gate-source voltage

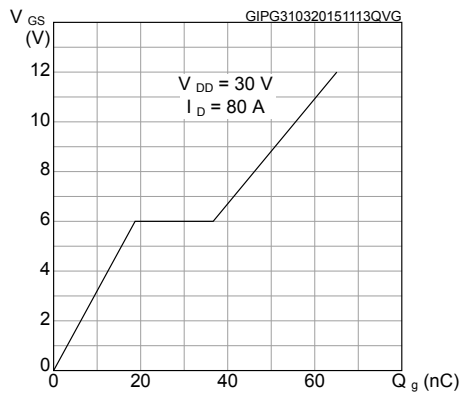


Figure 6. Static drain-source on-resistance

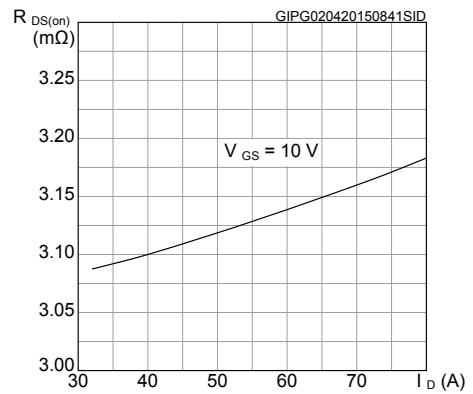


Figure 7. Capacitance variations

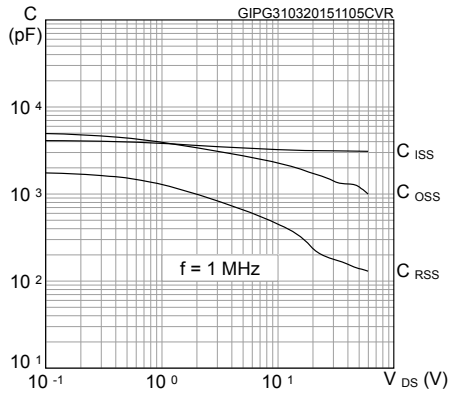


Figure 8. Normalized gate threshold voltage vs temperature

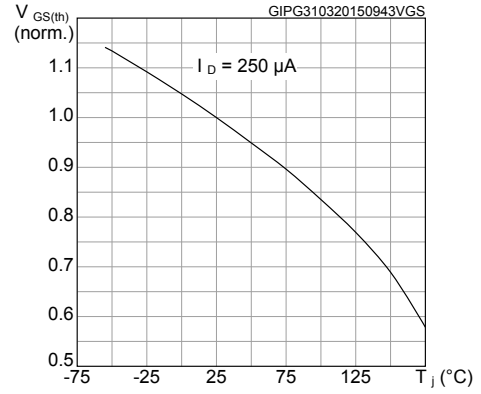


Figure 9. Normalized on-resistance vs temperature

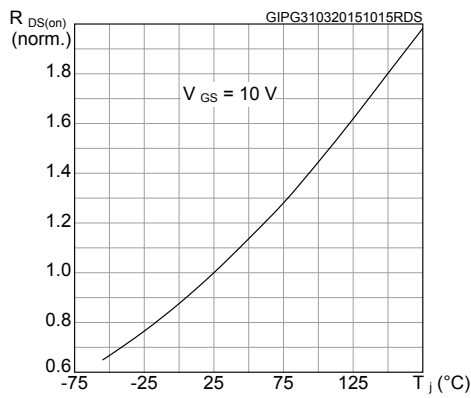


Figure 10. Normalized $V_{(BR)DSS}$ vs temperature

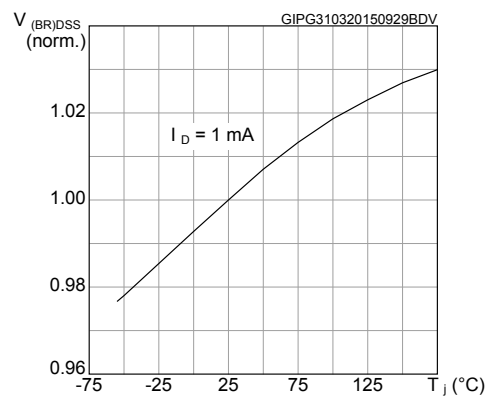
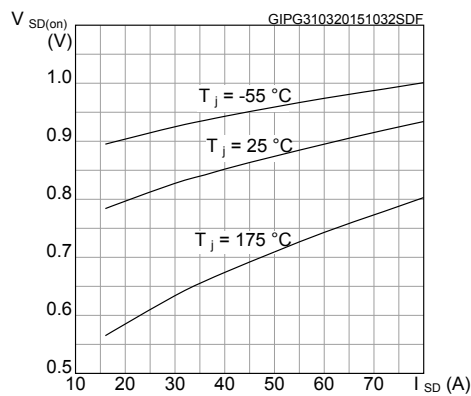
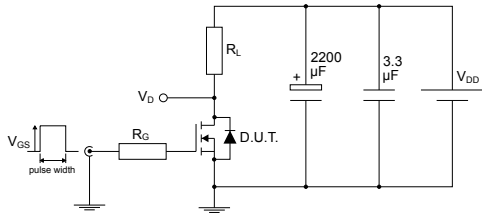


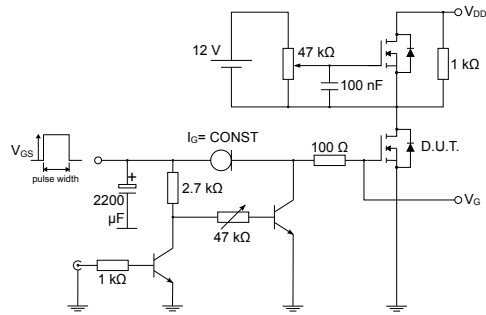
Figure 11. Source-drain diode forward characteristics



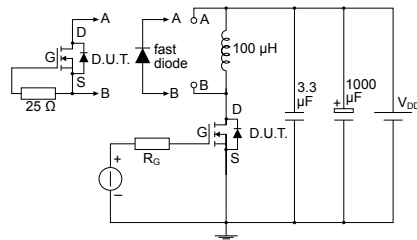
3 Test circuits

Figure 12. Test circuit for resistive load switching times


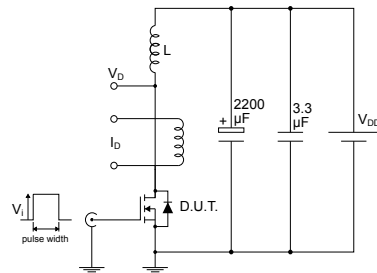
AM01468v1

Figure 13. Test circuit for gate charge behavior


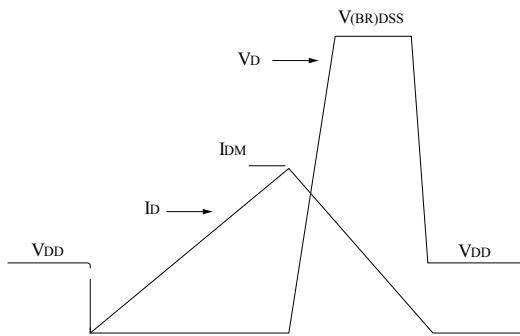
AM01469v1

Figure 14. Test circuit for inductive load switching and diode recovery times


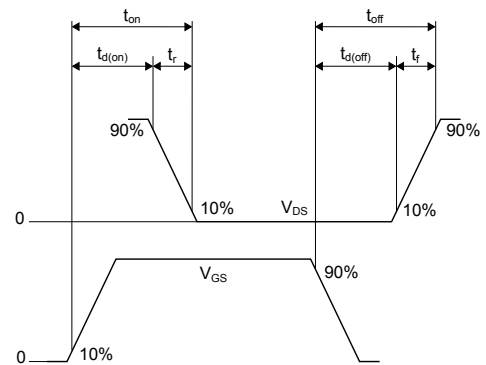
AM01470v1

Figure 15. Unclamped inductive load test circuit


AM01471v1

Figure 16. Unclamped inductive waveform


AM01472v1

Figure 17. Switching time waveform


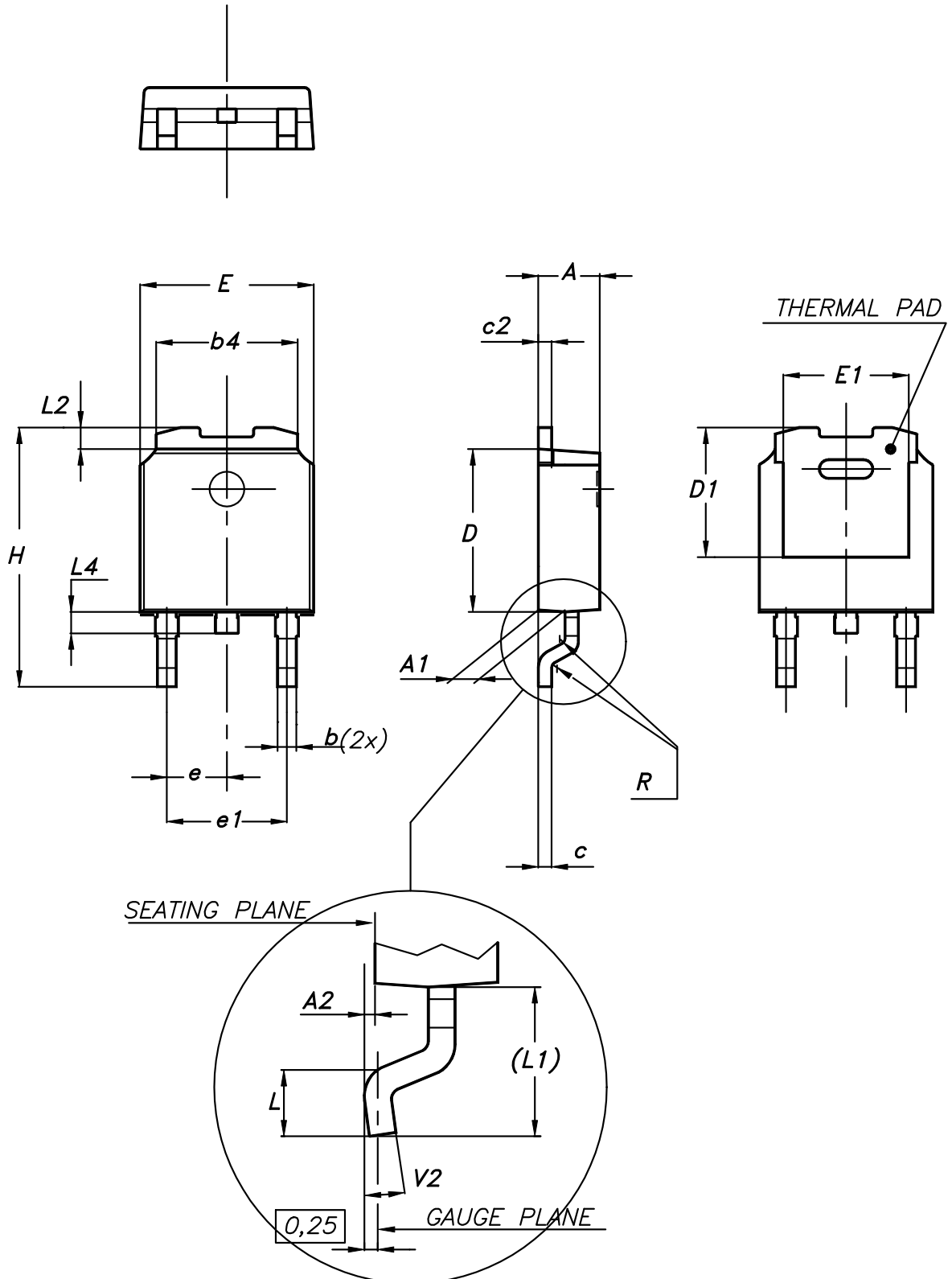
AM01473v1

4 Package information

In order to meet environmental requirements, ST offers these devices in different grades of **ECOPACK** packages, depending on their level of environmental compliance. ECOPACK specifications, grade definitions and product status are available at: www.st.com. ECOPACK is an ST trademark.

4.1 DPAK (TO-252) type A2 package information

Figure 18. DPAK (TO-252) type A2 package outline



0068772_type-A2_rev26

Table 7. DPAK (TO-252) type A2 mechanical data

Dim.	mm		
	Min.	Typ.	Max.
A	2.20		2.40
A1	0.90		1.10
A2	0.03		0.23
b	0.64		0.90
b4	5.20		5.40
c	0.45		0.60
c2	0.48		0.60
D	6.00		6.20
D1	4.95	5.10	5.25
E	6.40		6.60
E1	5.10	5.20	5.30
e	2.159	2.286	2.413
e1	4.445	4.572	4.699
H	9.35		10.10
L	1.00		1.50
L1	2.60	2.80	3.00
L2	0.65	0.80	0.95
L4	0.60		1.00
R		0.20	
V2	0°		8°

4.2 DPAK (TO-252) type C2 package information

Figure 19. DPAK (TO-252) type C2 package outline

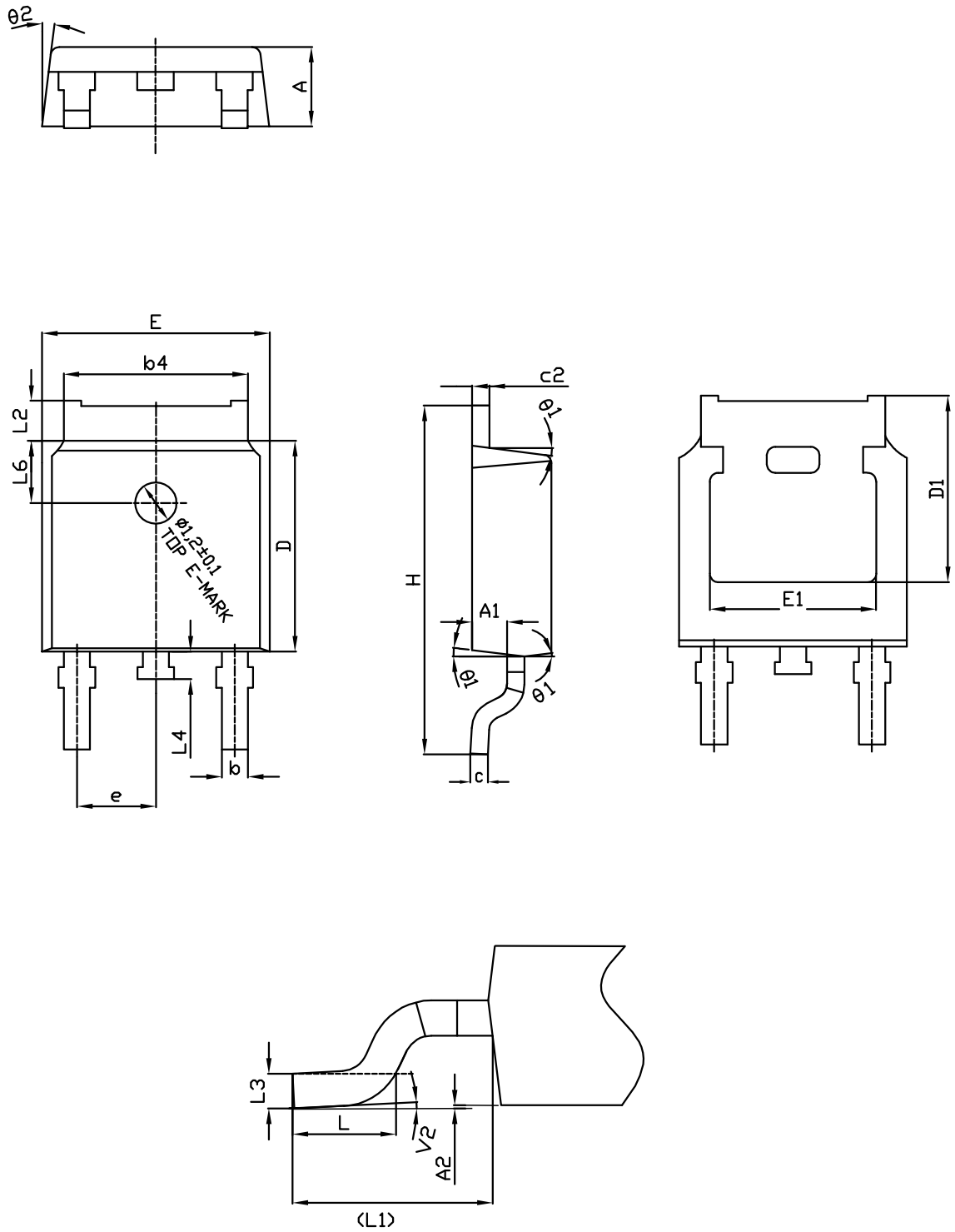
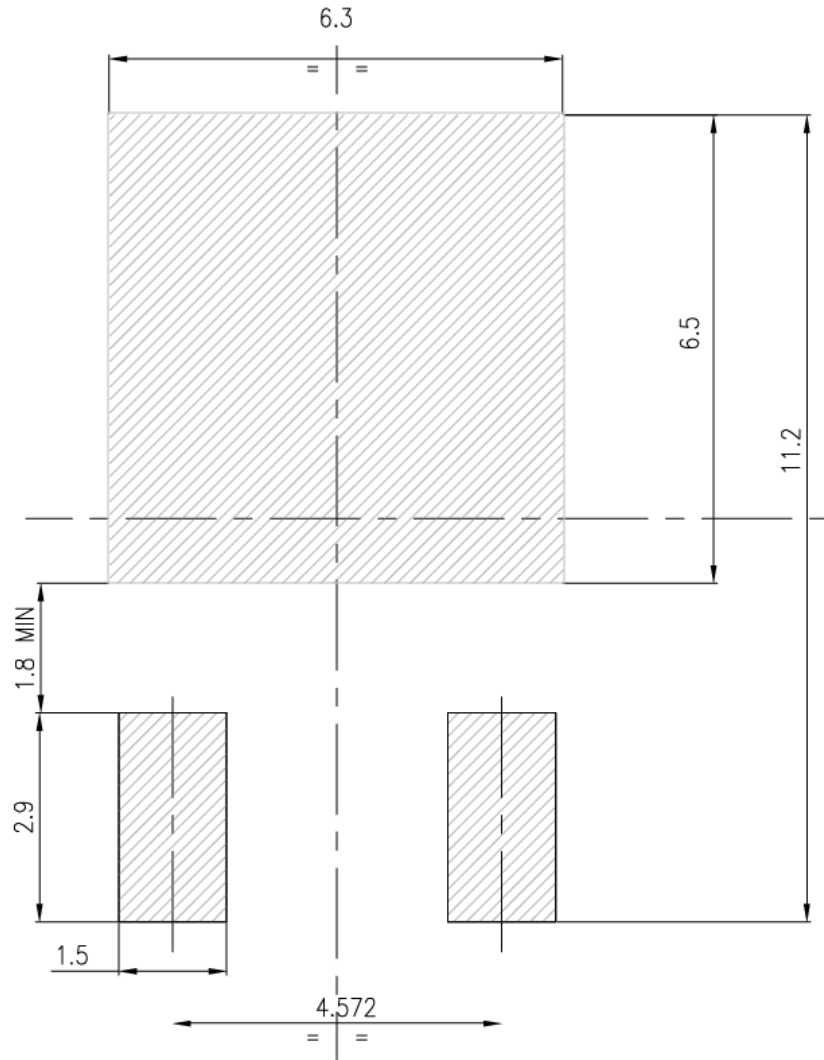


Table 8. DPAK (TO-252) type C2 mechanical data

Dim.	mm		
	Min.	Typ.	Max.
A	2.20	2.30	2.38
A1	0.90	1.01	1.10
A2	0.00		0.10
b	0.72		0.85
b4	5.13	5.33	5.46
c	0.47		0.60
c2	0.47		0.60
D	6.00	6.10	6.20
D1	5.10		5.60
E	6.50	6.60	6.70
E1	5.20		5.50
e	2.186	2.286	2.386
H	9.80	10.10	10.40
L	1.40	1.50	1.70
L1	2.90 REF		
L2	0.90		1.25
L3	0.51 BSC		
L4	0.60	0.80	1.00
L6	1.80 BSC		
θ1	5°	7°	9°
θ2	5°	7°	9°
V2	0°		8°

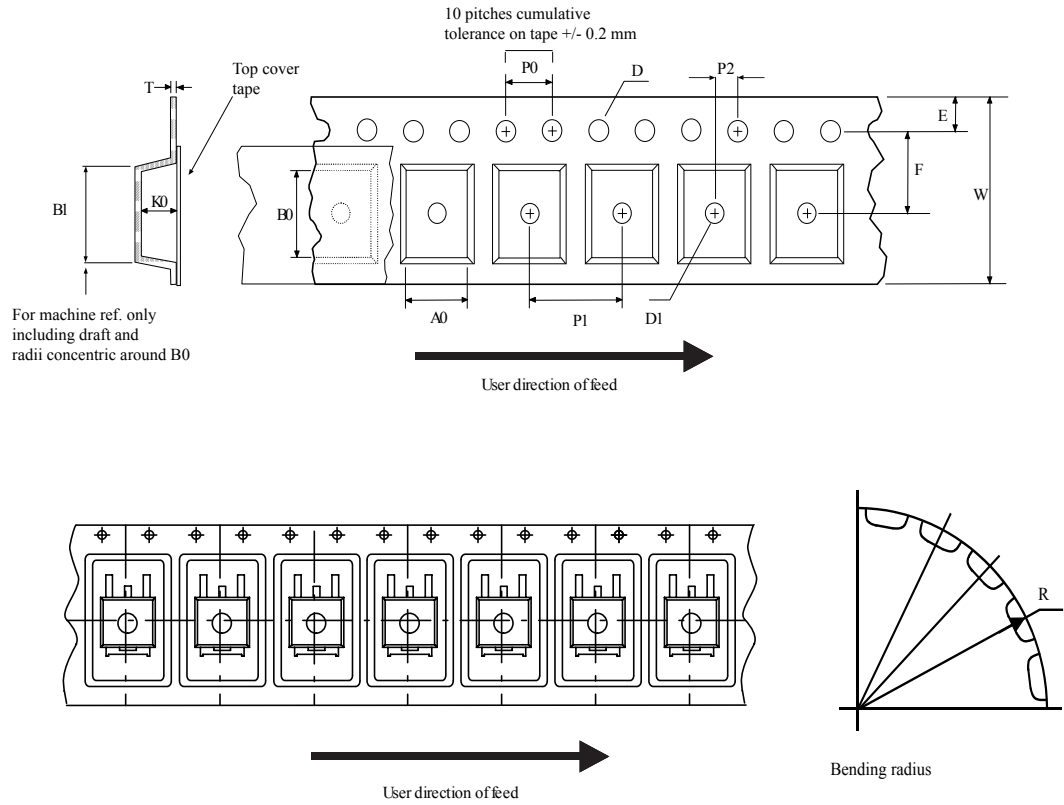
Figure 20. DPAK (TO-252) recommended footprint (dimensions are in mm)



FP_0068772_rev26

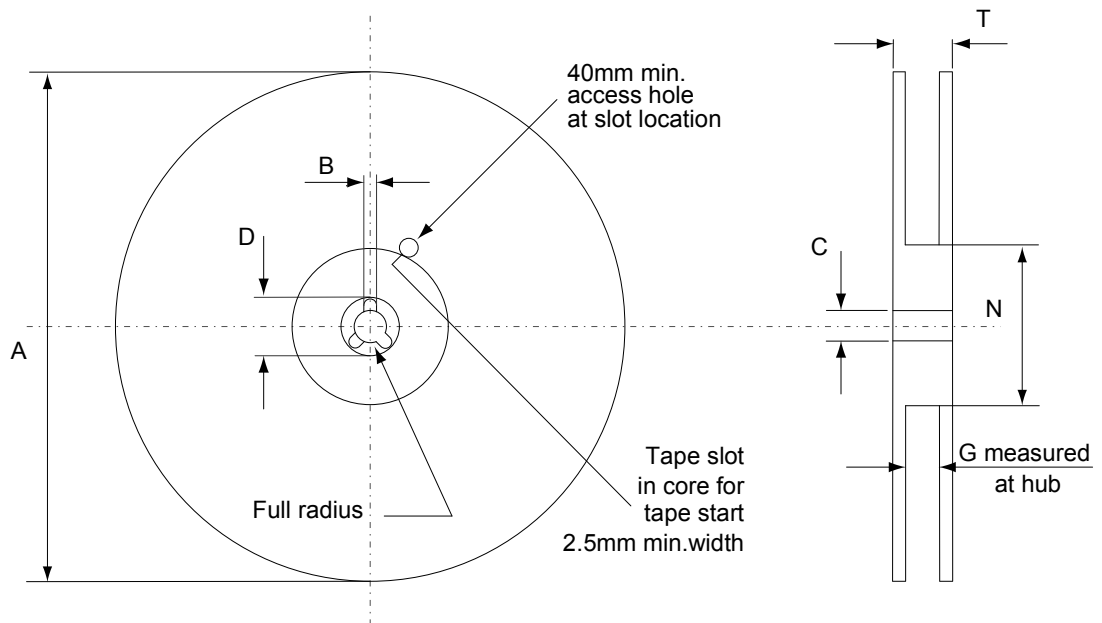
4.3 DPAK (TO-252) packing information

Figure 21. DPAK (TO-252) tape outline



AM08852v1

Figure 22. DPAK (TO-252) reel outline



AM06038v1

Table 9. DPAK (TO-252) tape and reel mechanical data

Tape			Reel		
Dim.	mm		Dim.	mm	
	Min.	Max.		Min.	Max.
A0	6.8	7	A		330
B0	10.4	10.6	B	1.5	
B1		12.1	C	12.8	13.2
D	1.5	1.6	D	20.2	
D1	1.5		G	16.4	18.4
E	1.65	1.85	N	50	
F	7.4	7.6	T		22.4
K0	2.55	2.75			
P0	3.9	4.1	Base qty.		2500
P1	7.9	8.1	Bulk qty.		2500
P2	1.9	2.1			
R	40				
T	0.25	0.35			
W	15.7	16.3			

Revision history

Table 10. Document revision history

Date	Revision	Changes
21-Dec-2015	1	First release.
11-Apr-2016	2	Datasheet promoted from preliminary data to production data. Minor text changes.
10-Apr-2019	3	Added Section 4.2 DPAK (TO-252) type C2 package information . Minor text changes.

Contents

1	Electrical ratings	2
2	Electrical characteristics	3
2.1	Characteristics curves	4
3	Test circuits	6
4	Package information	7
4.1	DPAK package information	7
4.2	Packing information	9
4.3	DPAK (TO-252) packing information	12
	Revision history	15

IMPORTANT NOTICE – PLEASE READ CAREFULLY

STMicroelectronics NV and its subsidiaries (“ST”) reserve the right to make changes, corrections, enhancements, modifications, and improvements to ST products and/or to this document at any time without notice. Purchasers should obtain the latest relevant information on ST products before placing orders. ST products are sold pursuant to ST’s terms and conditions of sale in place at the time of order acknowledgement.

Purchasers are solely responsible for the choice, selection, and use of ST products and ST assumes no liability for application assistance or the design of Purchasers’ products.

No license, express or implied, to any intellectual property right is granted by ST herein.

Resale of ST products with provisions different from the information set forth herein shall void any warranty granted by ST for such product.

ST and the ST logo are trademarks of ST. For additional information about ST trademarks, please refer to www.st.com/trademarks. All other product or service names are the property of their respective owners.

Information in this document supersedes and replaces information previously supplied in any prior versions of this document.

© 2019 STMicroelectronics – All rights reserved