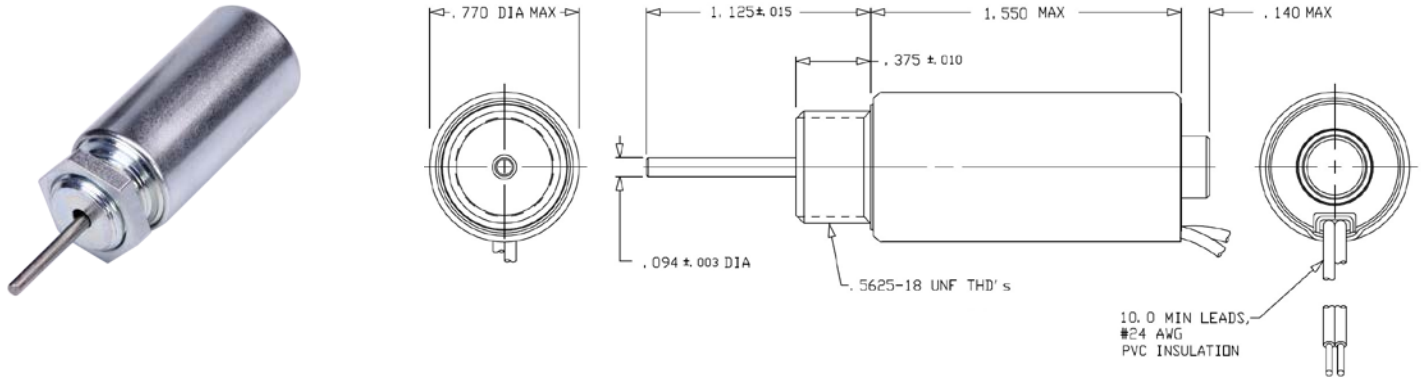


Model 75

STA[®] Push DC Tubular Solenoid

Size: 3/4" OD X 1 1/2" L

ALL PRODUCTS ARE RoHS COMPLIANT



Solenoid shown energized with plunger fully seated
 Supplied with hex nut shipped loose
 Spring kits available (consult factory)

Part No.	Duty Cycle	Voltage	Resistance (Ω) ± 5%	Max On Time	Power (W)	Current (A)
195205-227	Intermittent	12 VDC	5.27	25 Sec	28	2.28
195205-230	Continuous	12 VDC	20.70	∞	7.0	0.58
195205-230	Intermittent	24 VDC	20.70	25 Sec	28	1.16
195205-233	Continuous	24 VDC	83.50	∞	7.0	0.29

Continuous Duty = 100% "On" Time
 Intermittent Duty = 25% "On" Time
 When ordering please refer to Part No. as listed above
 Please consult factory for custom configurations and other pole face angles

Stroke (in.)	Typical Push Force (oz.)								Holding Force (oz.)
	0.060	0.125	0.250	0.375	0.500	0.625	0.750	1.000	
Continuous Duty	22.0	11.2	5.0	3.2	1.6	N/A	N/A	N/A	45.6
Intermittent Duty	50.0	36.8	22.0	14.0	9.6	7.2	N/A	N/A	N/A

Additional Specifications:

Dielectric Strength: 1000 VRMS
 Recommended Heat Sink: Maximum watts dissipated by solenoid are based on an unrestricted flow of air at 20°C, with solenoid mounted to the equivalent of an aluminum plate measuring 3" square by 1/8" thick.
 Total Unit Weight: 3.08 oz. / 87.3 g
 Plunger Weight: 0.53 oz. / 15.0 g

