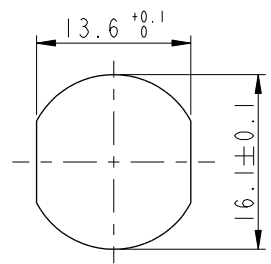


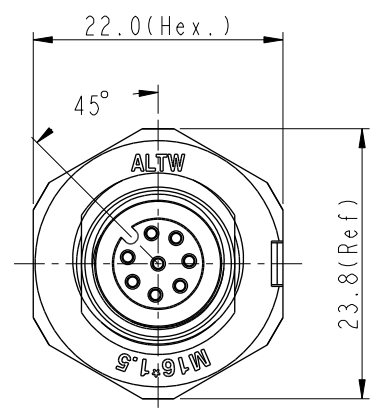
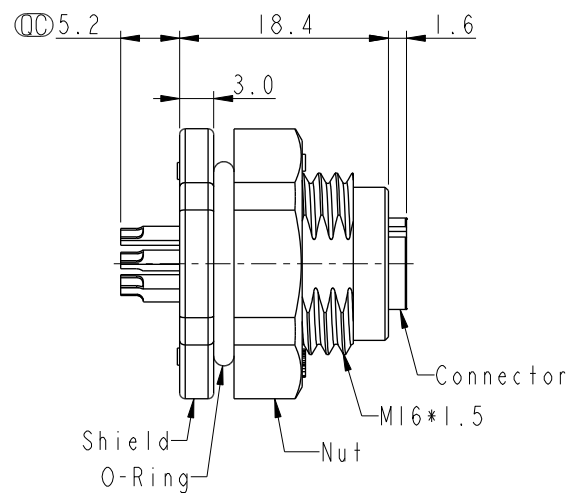
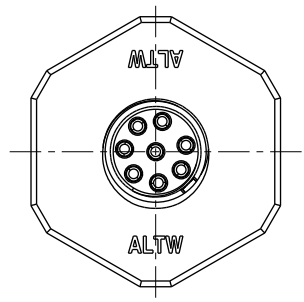
THIS DOCUMENT IS SUBJECT TO CHANGE WITHOUT NOTICE. IT IS CONFIDENTIAL AND A PROPERTY OF Amphenol LTW. DISCLOSURE TO THIRD PARTY HAS TO BE AUTHORIZED BY Amphenol LTW.

REV.	ECN NO.	DATE	SIGN	DESCRIPTION
B	LEN1790333-36	2017/09/19	Lingpeng	Modofy The Item No.
C	C201067	2020/07/13	Nan_Su	\triangle C X1
D	C210309	2021/03/05	Ruru	\triangle D X3

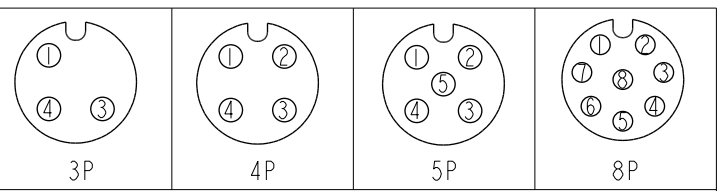


\triangle D
MSAP-XXPFFS-SF8002
XX: No. Of Pin

Recommended
Panel Cut-Out



- \triangle D Note:
- * RoHS Compliant
 - * $\text{\textcircled{C}}$ Important dimension
 - * Waterproof rate: IPX8, unmated 1m/24h
 - * Connector Housing: Thermoplastic, Black
 - * Pin: Copper alloy, Gold plated
 - * O-Ring: Rubber, Gray
 - * Shield: Thermoplastic, Black
 - * Nut: Thermoplastic, Black
 - * O-Ring: Rubber, Gray
 - * For panel thickness max: 4.9mm
 - * Nut is packed separately in pe bag



Pin Assignment Front View

UNIT: mm			TITLE N SEN, M12 A -PLASTIC, SCREW RECEPTACLE, F, F, SOLDER \triangle D
TOLERANCE .X ±0.25 .XX ±0.1 .XXX ±0.05 ANGLES ±1°	SCALE 3:2	SIZE A4	SHEET 1 OF 1
REV. D	WC-REV. .0	$\text{\textcircled{C}}$: Inspection item	

Amphenol LTW
安費諾亮泰企業股份有限公司

ITEM NO.	DRAWN BY Lingpeng	DATE 2017-09-19
DWG NO. MSAP-XXPFFS-SF8002	CHECKED BY Mafei	DATE 2017-09-19
CUSTOMER ALTW	APPROVED BY Jerry	DATE 2017-09-19