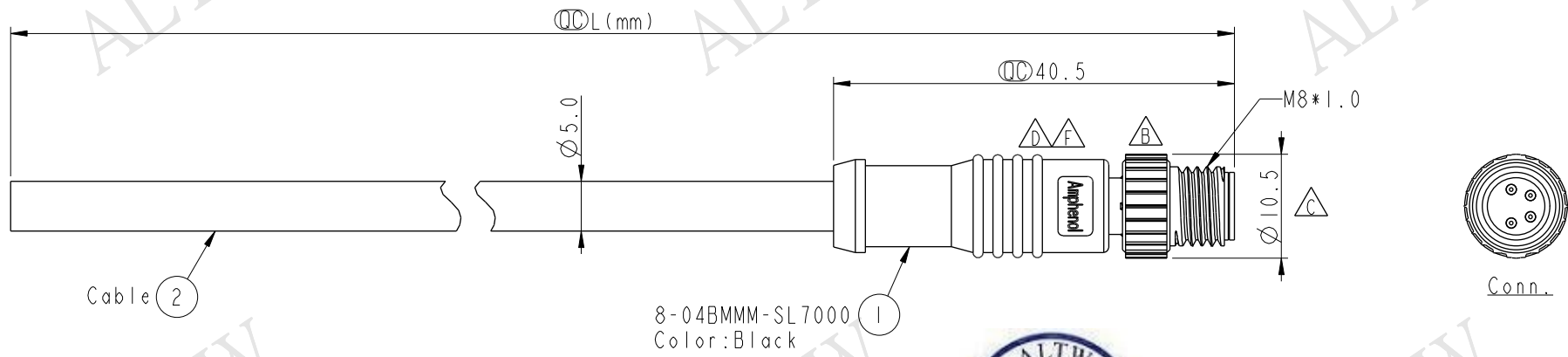


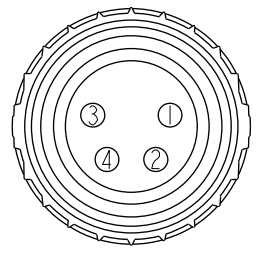
THIS DOCUMENT IS SUBJECT TO CHANGE WITHOUT NOTICE. IT IS CONFIDENTIAL AND A PROPERTY OF Amphenol LTW. DISCLOSURE TO THIRD PARTY HAS TO BE AUTHORIZED BY Amphenol LTW.

REV.	ECN NO.	DATE	SIGN	DESCRIPTION
D	LEN-7A0218	2007/10/09	Ferds	Add Logo On The Connector.
E	LEN-920057-060	2009/02/03	Vicky	Update the drawing.
F	LEN1550022-026	2014/12/24	Vicky	Update Logo



ALTW
 CONFIDENTIAL
 2014-12-24
 R&D DEPT.

8-04BMMM-SL7AXX
 XX:01~99Meters
 01:01Meter
 02:02Meters
 ...
 99:99Meters
 Cable Length(L):01~99Meters



Pin Assignments
Front View

4	Black	黑
3	Blue	藍
2	White	白
1	Brown	棕
Conn.	Wire Color	
	Pin Out	

Note:
 * \varnothing Important Dimension.
 * Waterproof Rate: IP67
 * Connector: PU, Black
 * Male Pin: Copper Alloy, Gold Plated
 * Cable: UL2464 22AWG*4C+Talcum, Black, PVC Jacket, UV Resistant, OD=5.0mm
 * Cable Length Tolerance:
 01M:±40mm
 02M~05M:±60mm
 06M~10M:±100mm
 11M~30M:±200mm
 31M~99M:±500mm

UNIT:mm	
TOLERANCE	±0.5 mm

TITLE \triangle M8 Conn Cable Screw 4P M Conn M Pin			
SCALE 3:2	SIZE A4	SHEET 1 OF 1	
REV. F	WC-REV. A.1	\varnothing : Inspection item	

Amphenol LTW
 安費諾亮泰企業股份有限公司

ITEM NO	DRAWN BY Sam	DATE 2014-12-24
DWG NO 8-04BMMM-SL7AXX	CHECKED BY Vicky	DATE 2014-12-24
CUSTOMER ALTW	APPROVED BY Rita	DATE 2014-12-24