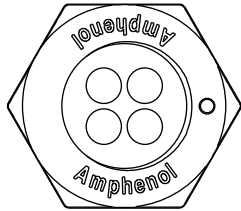


ALTW
CONFIDENTIAL
2019-09-19
R&D DEPT.

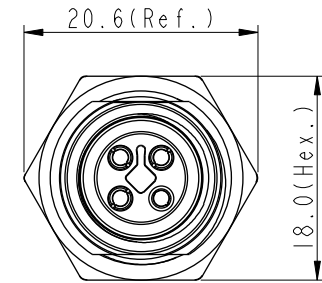
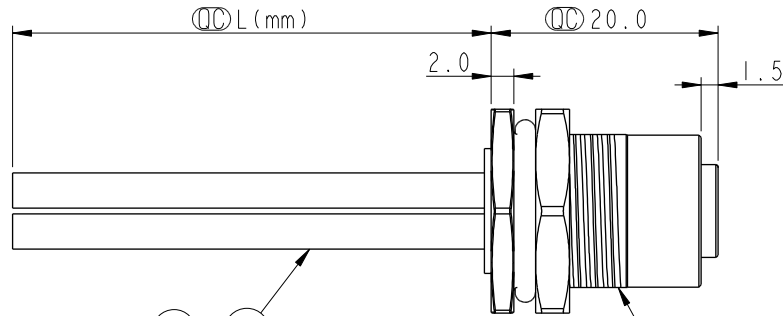
REV.	ECN NO.	DATE	SIGN	DESCRIPTION
A	Initial Release	2015/09/09	Cary	Change Rev. 01 to Rev.A
B	CI91643	2019/09/19	Vicky	Update Wire Tolerance



M12T-04PFFS-SF8CXX[△]B

15: 150mm
20: 200mm
f
95: 950mm
Cable Pitch Unit: 50mm

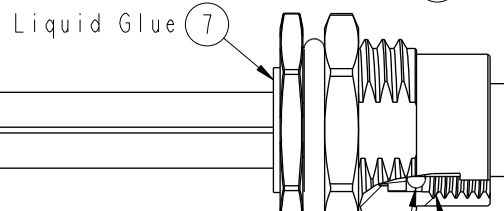
A0: 1000mm
f
A5: 1500mm
Cable Pitch Unit: 100mm
Wire Length(L): 150~1500mm



Wire Harness (8) ~ (11)

① Connector
② Female Pin
③ Shield

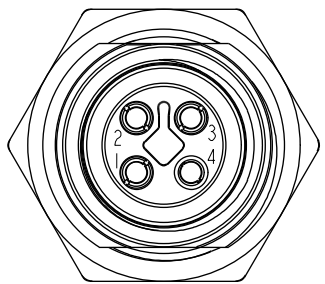
M16*1.5



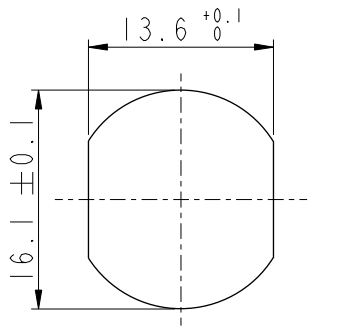
O-Ring1 ④
Screw Nut ⑤
⑥ O-Ring2
M12*1.0

Note:

- * \varnothing Important Dimension.
- * Waterproof Rate: IP68.
- * IP68: 1M Depth Of Water In 24hours.
- * Housing: PA66, UL94V-0, Black.
- * Female Pin: Copper Alloy, Gold Plated.
- * Shield: Zinc Alloy, Nickel Plated.
- * Panel Nut: Zinc Alloy, Nickel Plated.
- * O-Ring1: Viton, Black.
- * O-Ring2: Viton, Green.
- * Wire Harness: UL1015 16AWG(1.5mm²).
- * Rated Voltage: 60V DC.
- * Rated Current at 40°C: 12A
- * Operation Temperature: -40~85°C.
- * For Panel Thickness Max 4.5mm.
- * Nut Torque: 4-6 Kgf.cm(0.4~0.6N.m).
- * Wire harness Tolerance: 150~300 ±15mm
301~1000 ±20mm
[△] Over1000 +50/-0mm



Pin Assignment
Front View



Recommended
Panel Cut-Out

4	Black	黑
3	Blue	藍
2	White	白
1	Brown	棕
Conn.	Wire Color	
	Pin Out	

UNIT: mm



TOLERANCE
.X ±0.25
.XX ±0.1
.XXX ±0.05
ANGLES ±1°

TITLE			
M12 T-Code 4Pin Female Type			
SCALE	SIZE	SHEET	OF
2:1	A4	1	1
REV.	WC-REV.	\varnothing : Inspection item	
B	A.1		

Amphenol LTW
安費諾亮泰企業股份有限公司

ITEM NO	DRAWN BY	DATE
	Vicky	2019-09-19
DWG NO	CHECKED BY	DATE
M12T-04PFFS-SF8CXX	Rita	2019-09-19
CUSTOMER	APPROVED BY	DATE
ALTW	Max	2019-09-19

THIS DOCUMENT IS SUBJECT TO CHANGE WITHOUT NOTICE. IT IS CONFIDENTIAL AND A PROPERTY OF Amphenol LTW. DISCLOSURE TO THIRD PARTY HAS TO BE AUTHORIZED BY Amphenol LTW.